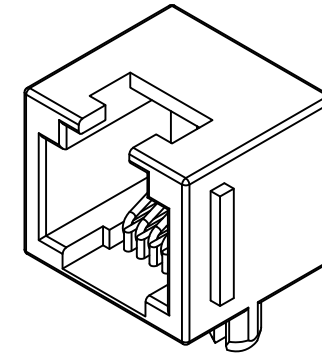


Recommended PCB Layout
Tolerance : ±0.05mm
Thickness: 1.60mm



Specifications

Material

Insulator: PBT, UL 94V-0, Black
Contact: Phosphor Bronze, Ø=0.46mm

Plating

See Ordering Grid

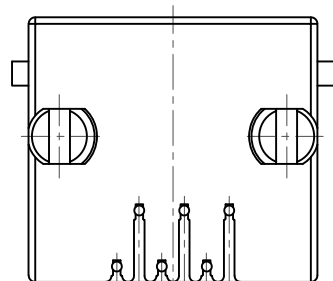
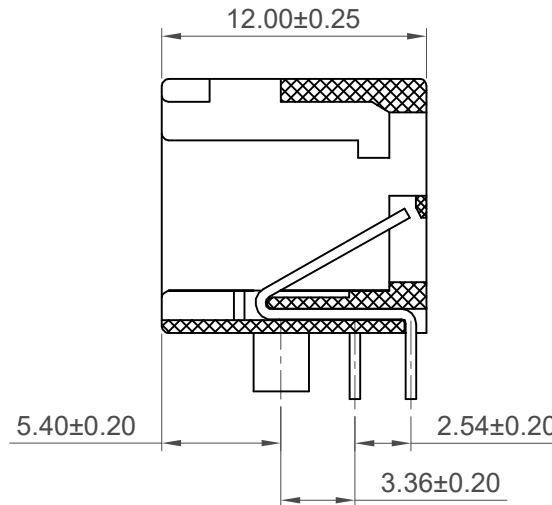
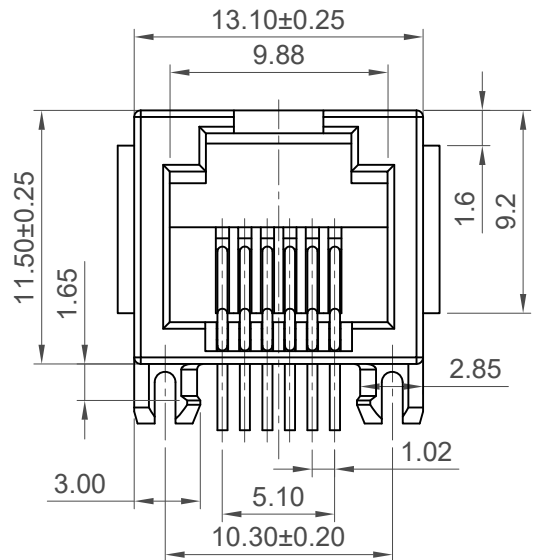
Electrical

Current Rating : 1.5 Amp
Current Voltage : 150V AC RMS
Contact Resistance : 30 mΩ max.
Insulation Resistance: 500 MΩ min.
Dielectric Withstand Voltage :
1000V AC Between Terminal to Terminal

Mechanical & Environmental

Storage Temperature : -10°C to +70°C,
Relative Humidity <80%
Operation Temperature : -40°C to +85°C
Operating Life : 750 Cycles Min.
Mating/Unmating Force: 30N Max.
Retention Strength: 50N for 60s±5s

Wave Soldering Temperature: 245°C ± 5°C, 5s



Ordering Grid

MJ3240 - **66** - **2** Request Samples and Quotation
No. of Positions/
Positions Loaded
66 = 6/6 Contact Plating
2 = 6µ" Gold

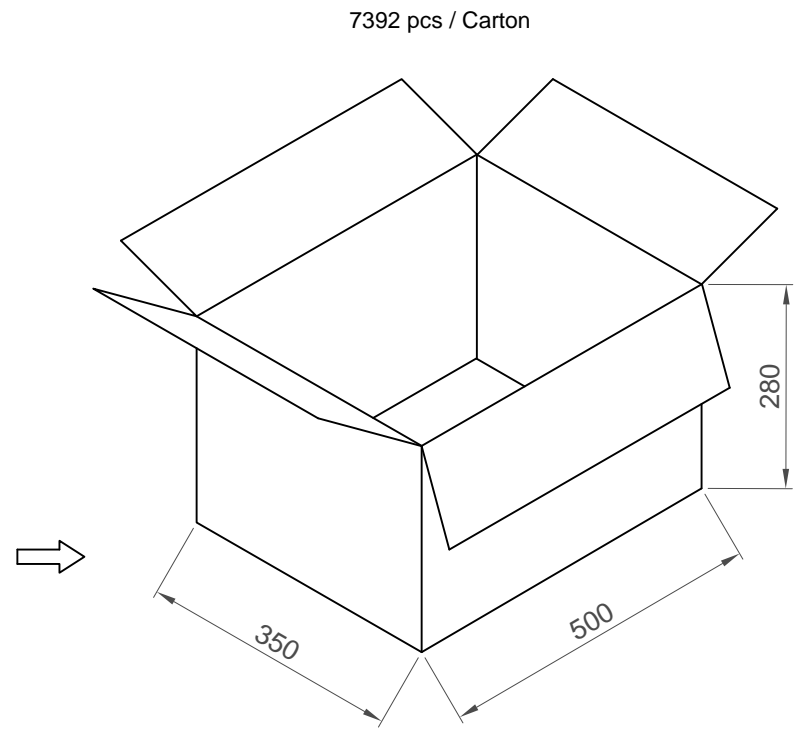
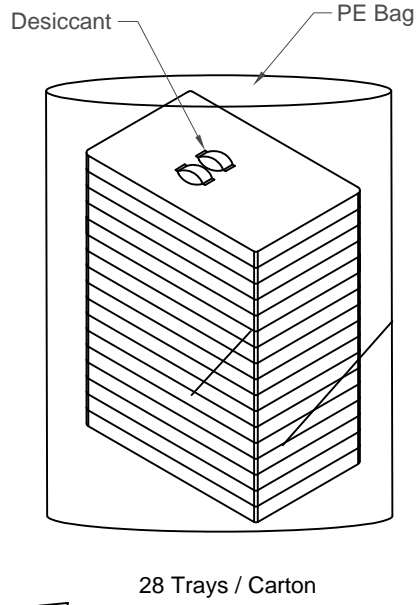
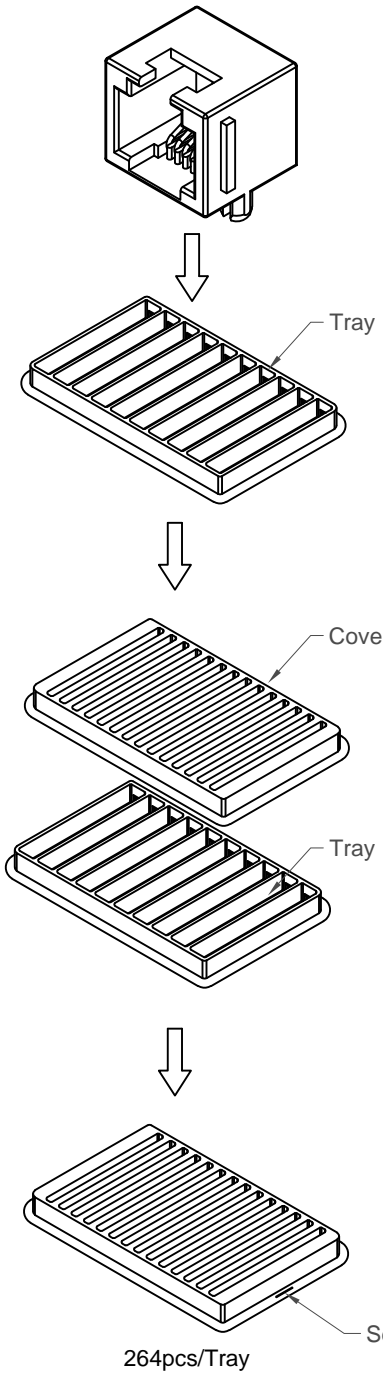
Part Number		Product Description	
MJ3240-66		Modular Jack Connector, Right Angle, Through Hole, Low Profile	
Drawing Date		2nd April 2021	
By	CC	Tolerances (Except as Noted)	Units:
Detail	Drawing Release	Length X.XX ± 0.15 X.X ± 0.20	Metric (mm)
Revision	A	Angle ± 1°	
Date	02/04/21		






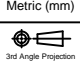
This drawing is confidential and copyright of Global Connector Technology, Ltd (GCT). This drawing must not be copied or disclosed without written consent. E & OE



Not to Scale | Drawn By CC | Sheet No. 1/2



Pcs/Tray	Trays/Carton	Total Quantity
264	28	7392 pcs

Part Number		Product Description		 www.gct.co
MJ3240-66		Modular Jack Connector, Right Angle, Through Hole, Low Profile		
Drawing Date		2nd April 2021		
By	CC	Tolerances (Except as Noted)	Units:	  This drawing is confidential and copyright of Global Connector Technology, Ltd (GCT). This drawing must not be copied or disclosed without written consent. E & OE
Detail	Drawing Release	Length	Metric (mm)	
Revision	A	X.XX ± 0.15	± 1°	
Date	02/04/21	X.X ± 0.20	 3rd Angle Projection	
		Not to Scale	Drawn By	Sheet No.
			CC	2/2