

SPECIFICATION

PART NO. : TOD9M0053-Y-E-V2

OLED
128X64 **1.6"**

This specification maybe changed without any notice in order to improve performance or quality etc.

Please contact TRULY Semiconductors LTD. OLED R&D department for update specification and product status before design for this product or release the order.

PRODUCT CONTENTS

- PHYSICAL DATA
- ABSOLUTE MAXIMUM RATINGS
- EXTERNAL DIMENSIONS
- ELECTRICAL CHARACTERISTICS
- TIMING OF POWER SUPPLY
- ELECTRO-OPTICAL CHARACTERISTICS
- INTERFACE PIN CONNECTIONS
- COMMAND TABLE
- INITIALIZATION CODE
- SCHEMATIC EXAMPLE
- RELIABILITY TESTS
- OUTGOING QUALITY CONTROL SPECIFICATION
- CAUTIONS IN USING OLED MODULE

| | | | |
|--------------------|---------------------|--------------------|--|
| TRULY®信利 | | Customer | |
| Written by | Hujiabin | Approved by | |
| Checked by | Zhangweicang | | |
| Approved by | Sujunhai | | |

REVISION HISTORY

| Rev. | Contents | Date |
|-------------|--------------------|------------------|
| 0.0 | Preliminary | 2008-7-30 |
| | | |

■ **PHYSICAL DATA**

| No. | Items: | Specification: | Unit |
|-----|---------------------------|-----------------------|-------|
| 1 | Diagonal Size | 1.6 | Inch |
| 2 | Resolution | 128(H) x 64(V) | Lines |
| 3 | Active Area | 36.45 (W) x 18.21(H) | mm |
| 4 | Outline Dimension (Panel) | 46.83 (W) x 28.77(H) | mm |
| 5 | Pixel Pitch | 0.285 (W) x 0.285 (H) | mm |
| 6 | Pixel Size | 0.255 W) x 0.255(H) | mm |
| 7 | Driver IC | SSD1325T6R1 | - |
| 8 | Display Color | Yellow | - |
| 9 | Grayscale | 4 | Bit |
| 10 | Interface | Serial I/F | - |
| 11 | IC package type | TCP with ZIF tail | - |
| 12 | Glass Thickness | 2.1±0.1 | mm |
| 13 | Weight | TBD | g |
| 14 | Duty | 1/64 | - |

■ **ABSOLUTE MAXIMUM RATINGS**

Unless otherwise specified, $V_{SS} = 0V$

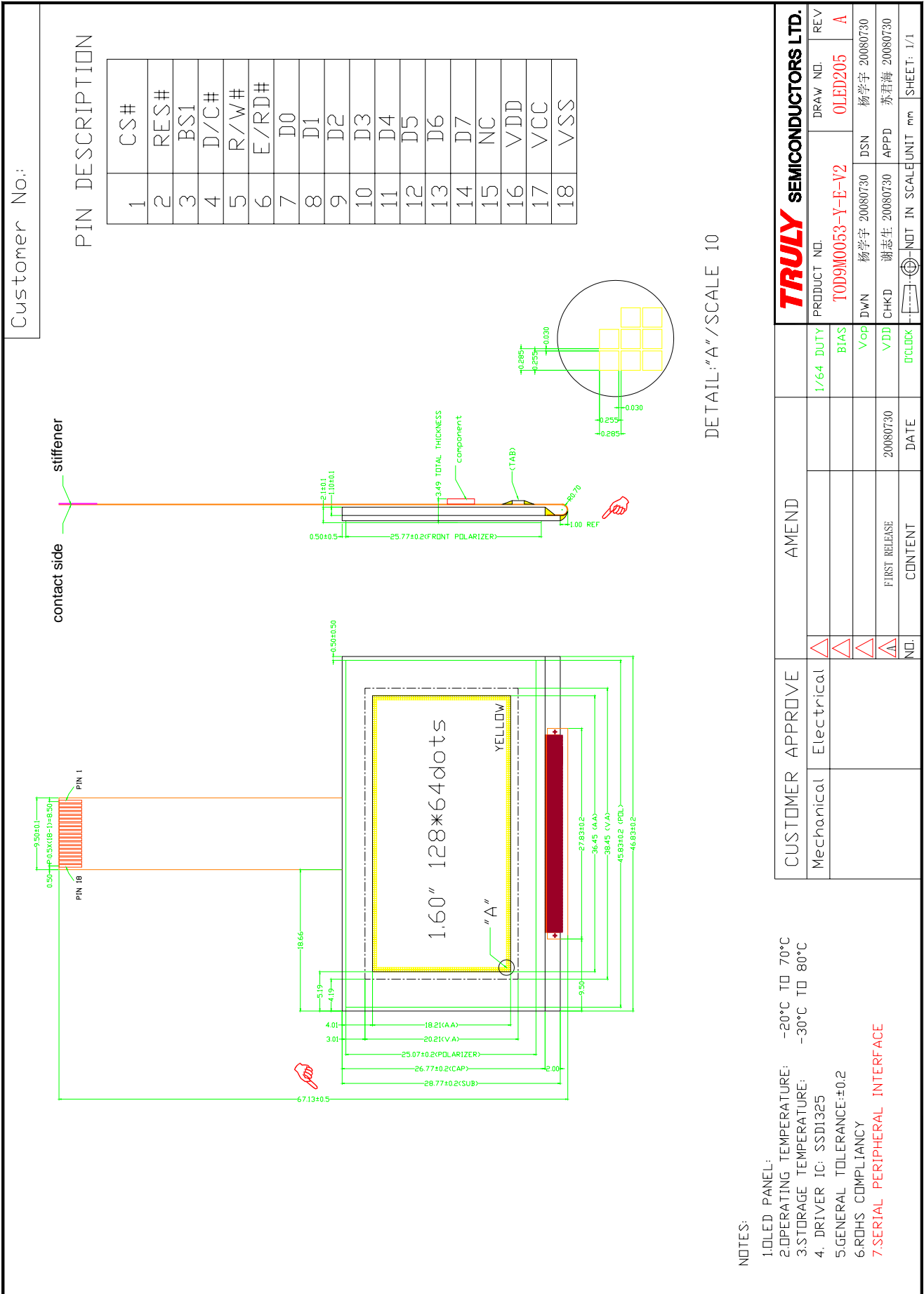
($T_a = 25^{\circ}C$)

| Items | | Symbol | Min | Typ. | Max | Unit |
|-----------------------|---------|----------|------|------|------|-------------|
| Supply Voltage | Logic | V_{DD} | -0.3 | - | 4.0 | V |
| | Driving | V_{CC} | 0 | - | 17.0 | V |
| Operating Temperature | | T_{op} | -20 | - | 70 | $^{\circ}C$ |
| Storage Temperature | | T_{st} | -30 | - | 80 | $^{\circ}C$ |
| Humidity | | - | - | - | 90 | %RH |

NOTE:

Permanent device damage may occur if **ABSOLUTE MAXIMUM RATINGS** are exceeded. Functional operation should be restricted to the conditions as detailed in the operational sections of this data sheet. Exposure to absolute maximum rating conditions for extended periods may affect reliability.

EXTERNAL DIMENSIONS



DETAIL: "A" / SCALE 10

Customer No:

PIN DESCRIPTION

| | |
|----|-------|
| 1 | CS# |
| 2 | RES# |
| 3 | BS1 |
| 4 | D/C# |
| 5 | R/W# |
| 6 | E/RD# |
| 7 | D0 |
| 8 | D1 |
| 9 | D2 |
| 10 | D3 |
| 11 | D4 |
| 12 | D5 |
| 13 | D6 |
| 14 | D7 |
| 15 | NC |
| 16 | VDD |
| 17 | VCC |
| 18 | VSS |

- NOTES:
- 1.OLED PANEL:
 - 2.OPERATING TEMPERATURE: -20°C TO 70°C
 - 3.STORAGE TEMPERATURE: -30°C TO 80°C
 4. DRIVER IC: SSD1325
 - 5.GENERAL TOLERANCE: ±0.2
 - 6.ROHS COMPLIANCY
 - 7.SERIAL PERIPHERAL INTERFACE

| CUSTOMER APPROVE | | AMEND | |
|------------------|-----------------|-----------------|-----------------|
| Mechanical | Electrical | △ | △ |
| | | △ | △ |
| | | △ | △ |
| | | △ | △ |
| ND. | | | |
| | DATE | 20080730 | DATE |
| | CONTENT | FIRST RELEASE | CONTENT |
| | DATE | 20080730 | DATE |
| | SCHEMATIC | 20080730 | SCHEMATIC |
| | APPD | APPD | APPD |
| | CHKD | CHKD | CHKD |
| | DWN | DWN | DWN |
| | DSN | DSN | DSN |
| | PRODUCT NO. | PRODUCT NO. | PRODUCT NO. |
| | T09M0053-Y-E-V2 | T09M0053-Y-E-V2 | T09M0053-Y-E-V2 |
| | BIAS | BIAS | BIAS |
| | 1/64 DUTY | 1/64 DUTY | 1/64 DUTY |
| | DRAW NO. | DRAW NO. | DRAW NO. |
| | OLEDD205 | OLEDD205 | OLEDD205 |
| | REV | REV | REV |
| | A | A | A |

TRULY SEMICONDUCTORS LTD.

■ ELECTRICAL CHARACTERISTICS**◆ DC Characteristics**Unless otherwise specified, $V_{SS} = 0V$, $V_{DD} = 2.4V$ to $3.5V$ ($T_a = 25^\circ C$)

| Items | | Symbol | Min | Typ. | Max | Unit |
|----------------|--------------|----------|---------------------|------|---------------------|------|
| Supply Voltage | Logic | V_{DD} | 2.4 | 3.0 | 3.5 | V |
| | Operating | V_{CC} | 8.0 | 13.0 | 16.0 | V |
| Input Voltage | High Voltage | V_{IH} | $0.8 \times V_{DD}$ | - | V_{DD} | V |
| | Low Voltage | V_{IL} | V_{SS} | - | $0.2 \times V_{DD}$ | V |
| Output Voltage | High Voltage | V_{OH} | $0.9 \times V_{DD}$ | - | V_{DD} | V |
| | Low Voltage | V_{OL} | V_{SS} | - | $0.1 \times V_{DD}$ | V |

◆AC Characteristics

Use Serial Interface

Conditions:

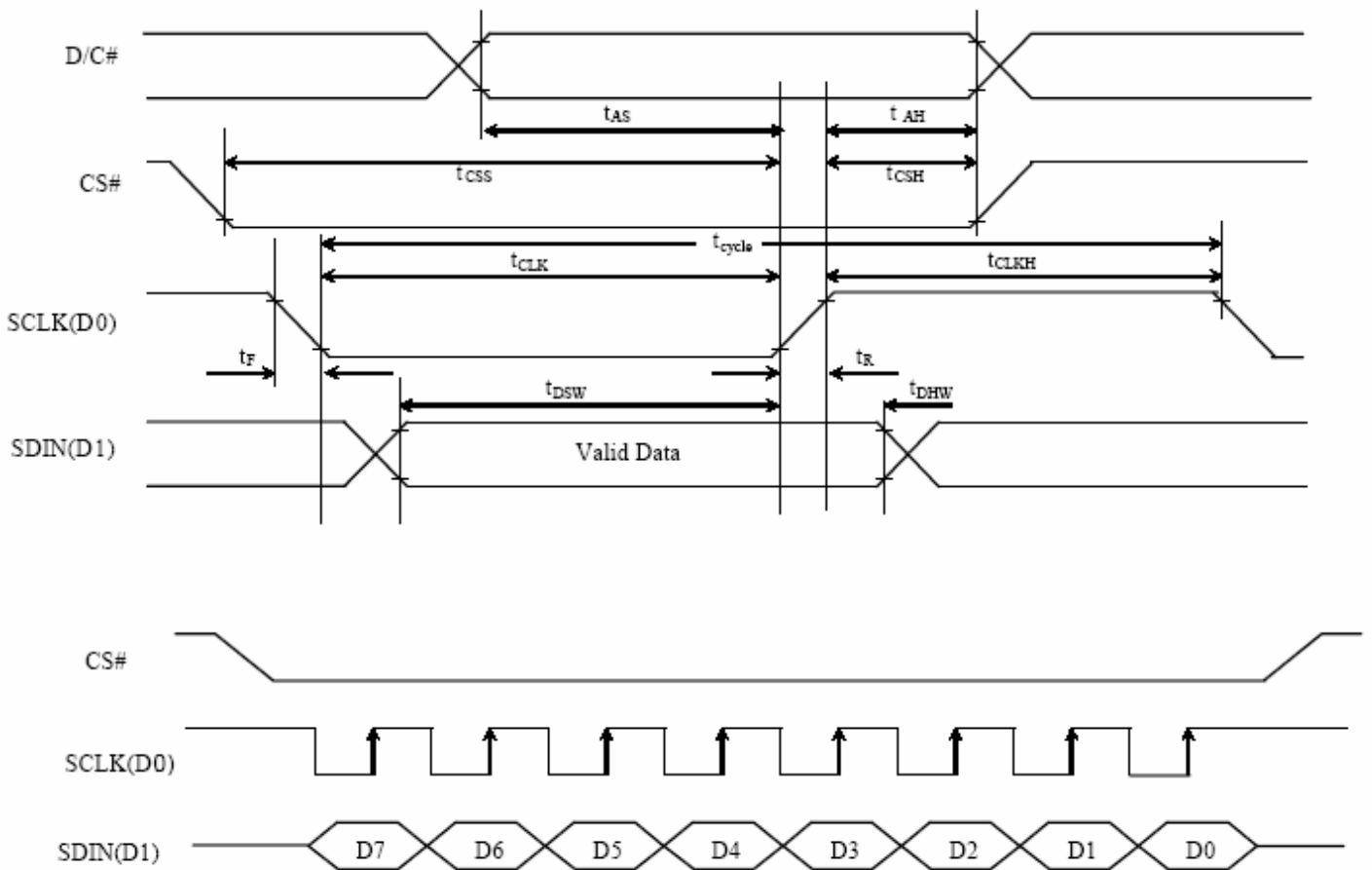
$$V_{DD} \sim V_{SS} = 2.4 \text{ to } 3.5\text{V}$$

$$T_A = 25^\circ\text{C}$$

Serial Interface Timing Characteristics

| Symbol | Parameter | Min | Typ | Max | Unit |
|-------------|------------------------|-----|-----|-----|------|
| t_{cycle} | Clock Cycle Time | 250 | - | - | ns |
| t_{AS} | Address Setup Time | 150 | - | - | ns |
| t_{AH} | Address Hold Time | 150 | - | - | ns |
| t_{CSS} | Chip Select Setup Time | 120 | - | - | ns |
| t_{CSH} | Chip Select Hold Time | 60 | - | - | ns |
| t_{DSW} | Write Data Setup Time | 100 | - | - | ns |
| t_{DHW} | Write Data Hold Time | 100 | - | - | ns |
| t_{CLKL} | Clock Low Time | 100 | - | - | ns |
| t_{CLKH} | Clock High Time | 100 | - | - | ns |
| t_r | Rise Time | - | - | 15 | ns |
| t_f | Fall Time | - | - | 15 | ns |

Serial interface characteristics



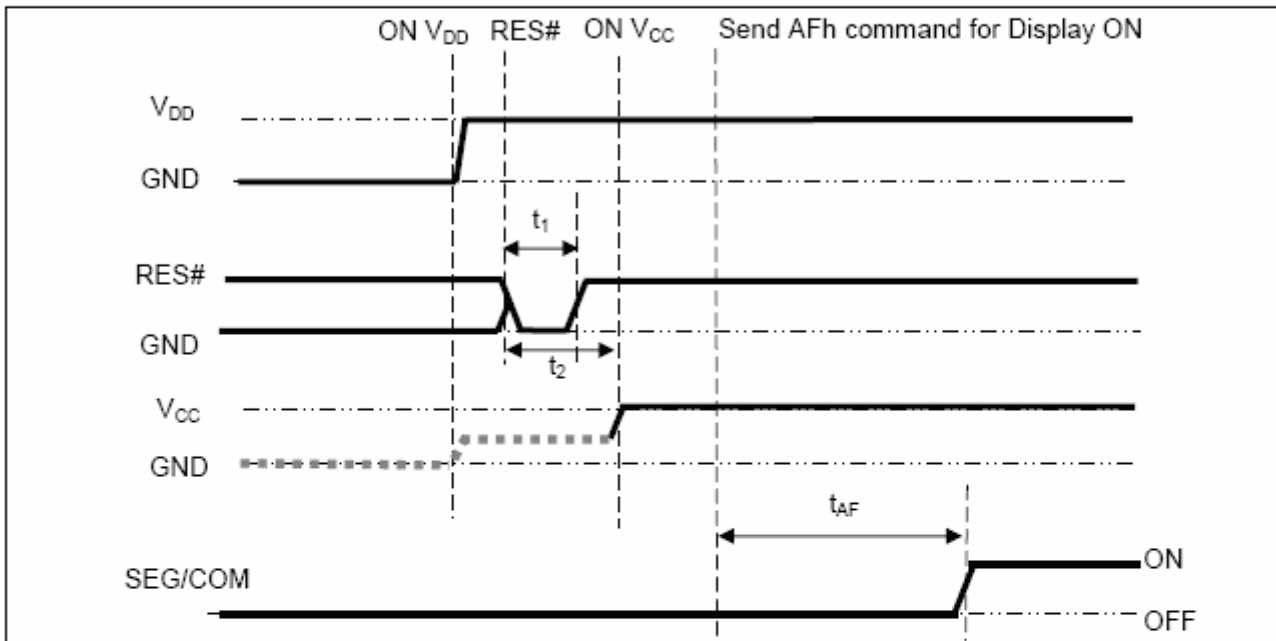
■ TIMING OF POWER SUPPLY

The following figures illustrate the recommended power ON and power OFF sequence of SSD1325.

Power ON sequence:

1. Power ON V_{DD} .
2. After V_{DD} become stable, set RES# pin LOW (logic LOW) for at least 3 μ s (t_1) and then HIGH (logic HIGH).
3. After set RES# pin LOW (logic LOW), wait for at least 3 μ s (t_2). Then Power ON V_{CC} .⁽¹⁾
4. After V_{CC} become stable, send command AFh for display ON. SEG/COM will be ON after 100ms (t_{AF}).

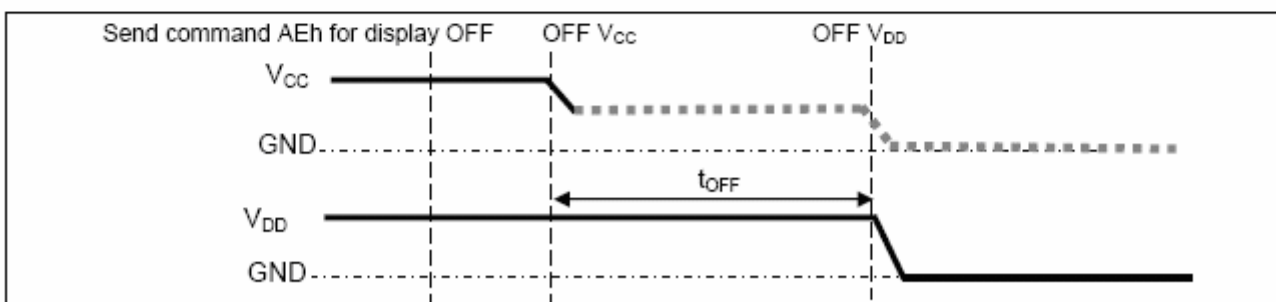
Figure 1 : The Power ON sequence



Power OFF sequence:

1. Send command AEh for display OFF.
2. Wait until panel discharges completely.
3. Power OFF V_{CC} .^{(1), (2)}
4. Wait for t_{OFF} . Power OFF V_{DD} . (where Minimum t_{OFF} =0ms, Typical t_{OFF} =100ms)

Figure 2 : The Power OFF sequence



Note:

- ⁽¹⁾ Since an ESD protection circuit is connected between V_{DD} and V_{CC} , V_{CC} becomes lower than V_{DD} whenever V_{DD} is ON and V_{CC} is OFF as shown in the dotted line of V_{CC} in Figure 1 and Figure 2.
- ⁽²⁾ V_{CC} should be kept float when it is OFF.

■ **ELECTRO-OPTICAL CHARACTERISTICS (Ta=25°C)**

| Items | Symbol | Min. | Typ. | Max. | Unit | Remark | |
|--------------------------|--------|---------|------|------|--------------------|----------------------------------------|----------|
| Operating Luminance | L | 70 | 80* | - | cd /m ² | Yellow | |
| Power Consumption | P | - | 80 | 100 | mW | 30% pixels ON L=80cd/m ² | |
| Frame Frequency | Fr | - | 100 | - | Hz | | |
| Color Coordinate | YELLOW | CIE x | 0.41 | 0.46 | 0.51 | CIE1931 | Darkroom |
| | | CIE y | 0.46 | 0.51 | 0.56 | | |
| Response Time | Rise | Tr | - | - | 0.02 | ms | - |
| | Decay | Td | - | - | 0.02 | ms | - |
| Contrast Ratio* | Cr | 10000:1 | - | - | | Darkroom | |
| Viewing Angle Uniformity | △ θ | 160 | - | - | Degree | - | |
| Operating Life Time* | Top | 100,000 | - | - | Hours | L=80cd/m ² | |

Note:

1. **80cd/m²** is base on V_{DD}=3.0V, V_{cc}=13.0V, contrast command setting 0x40;
2. **Contrast ratio** is defined as follows:

$$\text{Contrast ratio} = \frac{\text{Photo – detector output with OLED being “white”}}{\text{Photo – detector output with OLED being “black”}}$$

3. **Life Time** is defined when the Luminance has decayed to less than 50% of the initial Luminance specification. (30% pixels scrolling display on)
(The initial value should be closed to the typical value after adjusting.)

■ INTERFACE PIN CONNECTIONS

| No | Symbol | Description |
|----|--------|-------------------------------------|
| 1 | CS# | The chip select pin. Low is enabled |
| 2 | RES# | This pin is reset signal input |
| 3 | BS1 | Set to low or connected to VSS |
| 4 | D/C# | Data/Command data control pin |
| 5 | W/R# | Tie Low |
| 6 | E/RD# | Tie Low |
| 7 | D0 | Serial Clock input (SCLK) |
| 8 | D1 | Serial Data input (SDIN) |
| 9 | D2 | Should be left open |
| 10 | D3 | Tie Low |
| 11 | D4 | Tie Low |
| 12 | D5 | Tie Low |
| 13 | D6 | Tie Low |
| 14 | D7 | Tie Low |
| 15 | NC | No connecting |
| 16 | VDD | Logic voltage supply for IC |
| 17 | VCC | High voltage supply for OLED panel |
| 18 | VSS | Ground |

COMMAND TABLE

(D/C# = 0, R/W# (WR#) = 0, E (RD#) = 1) unless specific setting is stated

| Fundamental Command Table | | | | | | | | | | | |
|---------------------------|------------------------|-------------|---------------------------------------|---------------------------------------|---------------------------------------|---------------------------------------|---------------------------------------|---------------------------------------|---------------------------------------|------------------------|----------------------------------------------------------------------------------------------------------------------------------------------------------------------------------------------------------------------------------------------------------------------------------------------------------------------------------------------------------------------------------------------------------------------------------------------------------------------------------------|
| D/C | Hex | D7 | D6 | D5 | D4 | D3 | D2 | D1 | D0 | Command | Description |
| 0 0 0 | 15 A[5:0] B[5:0] | 0 * * | 0 * * | 0 A ₅ B ₅ | 1 A ₄ B ₄ | 0 A ₃ B ₃ | 1 A ₂ B ₂ | 0 A ₁ B ₁ | 1 A ₀ B ₀ | Set Column Address | Second command A[5:0] sets the column start address from 0-63, POR = 00h Third command B[5:0] sets the column end address from 0-63, RESET = 3Fh |
| 0 0 0 | 75 A[6:0] B[6:0] | 0 * * | 1 A ₆ B ₆ | 1 A ₅ B ₅ | 1 A ₄ B ₄ | 0 A ₃ B ₃ | 1 A ₂ B ₂ | 0 A ₁ B ₁ | 1 A ₀ B ₀ | Set Row address | Second command A[6:0]sets the row start address from 0-79, RESET = 00h Third command B[6:0] sets the row end address from 0-79, RESET = 4Fh |
| 0 0 | 81 A[6:0] | 1 * | 0 A ₆ | 0 A ₅ | 0 A ₄ | 0 A ₃ | 0 A ₂ | 0 A ₁ | 1 A ₀ | Set Contrast Current | Double byte command to select 1 out of 128 contrast steps. Contrast increases as level increase The level is set to 40h after RESET |
| 0 | 84~86 | 1 | 0 | 0 | 0 | 0 | 1 | X ₁ | X ₀ | Set Current Range | 84h = Quarter Current Range (RESET) 85h = Half Current Range 86h = Full Current Range |
| 0 0 | A0 A[6:0] | 1 * | 0 A ₆ | 1 A ₅ | 0 A ₄ | 0 A ₃ | 0 A ₂ | 0 A ₁ | 0 A ₀ | Set Re-map | A[0]=0, Disable Column Address Re-map (RESET) A[0]=1, Enable Column Address Re-map A[1]=0, Disable Nibble Re-map (RESET) A[1]=1, Enable Nibble Re-map A[2]=0, Horizontal Address Increment (RESET) A[2]=1, Vertical Address Increment A[4]=0, Disable COM Re-map disable (RESET) A[4]=1, Enable COM Re-map A[5]=0, Reserved (RESET) A[5]=1, Reserved A[6]=0, Disable COM Split Odd Even (RESET) A[6]=1, Enable COM Split Odd Even |
| 0 0 | A1 A[6:0] | 1 * | 0 A ₆ | 1 A ₅ | 0 A ₄ | 0 A ₃ | 0 A ₂ | 0 A ₁ | 1 A ₀ | Set Display Start Line | Set display RAM display start line register from 0-79 Display start line register is reset to 00h after RESET |
| 0 0 | A2 A[6:0] | 1 * | 0 A ₆ | 1 A ₅ | 0 A ₄ | 0 A ₃ | 0 A ₂ | 1 A ₁ | 0 A ₀ | Set Display Offset | Set vertical scroll by COM from 0-79 The value is reset to 00H after RESET |
| 0 | A4~A7 | 1 | 0 | 1 | 0 | 0 | X ₂ | X ₁ | X ₀ | Set Display Mode | A4h = Normal Display (RESET) A5h = Entire Display ON, |

| Fundamental Command Table | | | | | | | | | | | |
|---------------------------|------------------------|--------------------------|--------------------------|--------------------------|--------------------------|---------------------|---------------------|---------------------|---------------------|-------------------------------------------------------|------------------------------------------------------------------------------------------------------------------------------------------------------------------------------------------------------------------------------------------------------------|
| D/C | Hex | D7 | D6 | D5 | D4 | D3 | D2 | D1 | D0 | Command | Description |
| | | | | | | | | | | | all pixels turns ON in GS level 15 A6h = Entire Display OFF, all pixels turns OFF A7h = Inverse Display |
| 0 0 | A8 A[6:0] | 1 * | 0 A ₆ | 1 A ₅ | 0 A ₄ | 1 A ₃ | 0 A ₂ | 0 A ₁ | 0 A ₀ | Set Multiplex Ratio | The next command determines multiplex ratio N from 16MUX-80MUX, A[6:0] = 15 represents 16MUX A[6:0] = 16 represents 17MUX : A[6:0] = 78 represents 79MUX A[6:0] = 79 represents 80MUX |
| 0 0 | AD A[1:0] | 1 * | 0 * | 1 * | 0 * | 1 * | 1 * | 0 1 | 1 A ₀ | Set Master Configuration | A[0] = 0, Select external V _{CC} supply A[0] = 1, Reserved (RESET) Note (¹) Bit A[0] must be set to 0b after RESET. (²) The setting will be activated after issuing Set Display ON command (AFh) |
| 0 | AE | 1 | 0 | 1 | 0 | 1 | 1 | 1 | 0 | Set Display ON | A Eh = Display OFF (Sleep mode) (RESET) |
| 0 | AF | 1 | 0 | 1 | 0 | 1 | 1 | 1 | 1 | Set Display OFF | AFh = Display ON |
| 0 0 | B0 A[5:0] | 1 * | 0 * | 1 A ₅ | 1 A ₄ | 0 A ₃ | 0 A ₂ | 0 A ₁ | 0 A ₀ | Set Pre-charge Compensation Enable | A[5:0] = 08h (RESET) A[5:0] = 28h, Enable pre-charge compensation |
| 0 0 0 | B1 A[3:0] A[7:4] | 1 * A ₇ | 0 * A ₆ | 1 * A ₅ | 1 * A ₄ | 0 A ₃ | 0 A ₂ | 0 A ₁ | 1 A ₀ | Set Phase Length | A[3:0] = P1, phase 1 period of 1-15 DCLKs, RESET = 3DCLKS = 3h A[7:4] = P2, phase 2 period of 1-15 DCLKs, RESET = 5DCLKS = 5h Note (¹) 0 DCLK is invalid in phase 1 & phase 2 |
| 0 0 | B2 A[7:0] | 1 A ₇ | 0 A ₆ | 1 A ₅ | 1 A ₄ | 0 A ₃ | 0 A ₂ | 1 A ₁ | 0 A ₀ | Set Row Period (set frame frequency) | The next command sets the number of DCLKs, K, per row between 2-158 DCLKS RESET = 37DCLKS = 25h The K value should be set as K = P1+P2+GS15 pulse width (RESET: 3+5+29DCLKS) |
| 0 0 0 | B3 A[3:0] A[7:4] | 1 * A ₇ | 0 * A ₆ | 1 * A ₅ | 1 * A ₄ | 0 A ₃ | 0 A ₂ | 1 A ₁ | 1 A ₀ | Set Display Clock Divide Ratio / Oscillator Frequency | The lower nibble (A[3:0]) of the next command defines the divide ratio (D) of display clock (DCLK) Divide ratio (D)=A[3:0]+1 (A[3:0]RESET is 0001b, i.e. divide ratio (D) = 2) |

| Fundamental Command Table | | | | | | | | | | | |
|--------------------------------------------------------------------------------------------------|----------------------------------------------------------------------------------------------------------------------------------------------------------|--------------------------------------------------------------------------------------------------|-------------------------------------------------------------------------------------------------------------------------------------------------------------------------|-------------------------------------------------------------------------------------------------------------------------------------------------------------------------|-------------------------------------------------------------------------------------------------------------------------------------------------------------------------|--------------------------------------------------------------------------------------------------|--------------------------------------------------------------------------------------------------------------------------------------------------------------------|--------------------------------------------------------------------------------------------------------------------------------------------------------------------|--------------------------------------------------------------------------------------------------------------------------------------------------------------------|-----------------------------------|-------------------------------------------------------------------------------------------------------------------------------------------------------------------------------------------------------------------------------------------------------------------------------------------------------------------------------------------------------------------------------------------------------------------------------------------------------------------------------------------------------------------------------------------------------------------------------------------------------------------------------------------------------------------------------------------------------------------------------------------------------------------------------------------|
| D/C | Hex | D7 | D6 | D5 | D4 | D3 | D2 | D1 | D0 | Command | Description |
| | | | | | | | | | | | The higher nibble (A[7:4]) of the next command sets the Oscillator Frequency Oscillator Frequency increases with the value of A[7:4] and vice versa Range: 0000b~1111b RESET= 0100b represents 655KHz, typical step value: 5% of previous value |
| 0 0 | B4 A[2:0] | 1 * | 0 * | 1 * | 1 * | 0 * | 1 A ₂ | 0 A ₁ | 0 A ₀ | Set Pre-charge Compensation Level | A[2:0] = 0 (RESET) A[2:0] = 3h, Recommended level |
| 0 0 0 0 0 0 0 0 0 0 0 0 0 0 0 0 0 0 0 0 | B8 A[2:0] B[2:0] B[6:4] C[2:0] C[6:4] D[2:0] D[6:4] E[2:0] E[6:4] F[2:0] F[6:4] G[2:0] G[6:4] H[2:0] H[6:4] | 1 * * * * * * * * * * * * * * * * * * * | 0 * * B ₆ * C ₆ * D ₆ * E ₆ * F ₆ * G ₆ * H ₆ | 1 * * B ₅ * C ₅ * D ₅ * E ₅ * F ₅ * G ₅ * H ₅ | 1 * * B ₄ * C ₄ * D ₄ * E ₄ * F ₄ * G ₄ * H ₄ | 1 * * * * * * * * * * * * * * * * * * * | 0 A ₂ * * C ₂ * D ₂ * E ₂ * F ₂ * G ₂ * H ₂ | 0 A ₁ * * C ₁ * D ₁ * E ₁ * F ₁ * G ₁ * H ₁ | 0 A ₀ * * C ₀ * D ₀ * E ₀ * F ₀ * G ₀ * H ₀ | Set Gray Scale Table | The next eight bytes of command set the gray scale level of GS1-15 as below: A[2:0] = Gray scale level of GS1, RESET=1 B[2:0] = Gray scale level of GS2, RESET=1 B[6:4] = Gray scale level of GS3, RESET=1 C[2:0] = Gray scale level of GS4, RESET=1 C[6:4] = Gray scale level of GS5, RESET=1 D[2:0] = Gray scale level of GS6, RESET=1 D[6:4] = Gray scale level of GS7, RESET=1 E[2:0] = Gray scale level of GS8, RESET=1 E[6:4] = Gray scale level of GS9, RESET=1 F[2:0] = Gray scale level of GS10, RESET=1 F[6:4] = Gray scale level of GS11, RESET=1 G[2:0] = Gray scale level of GS12, RESET=1 G[6:4] = Gray scale level of GS13, RESET=1 H[2:0] = Gray scale level of GS14, RESET=1 H[6:4] = Gray scale level of GS15, RESET=1 |
| 0 0 | BC A[7:0] | 1 A ₇ | 0 A ₆ | 1 A ₅ | 1 A ₄ | 1 A ₃ | 1 A ₂ | 0 A ₁ | 0 A ₀ | Set Precharge Voltage | Second command A[7:0] sets the precharge voltage level, A[7:0] 1xxxxxxx connects to V _{COMH} (RESET) 001xxxxxx 1.0 * V _{REF} 00000000 0.51* V _{REF} 00000001 0.52* V _{REF} 00011111 0.84* V _{REF} |
| 0 0 | BE A[4:0] | 1 * | 0 * | 1 0 | 1 A ₄ | 1 A ₃ | 1 A ₂ | 1 A ₁ | 0 A ₀ | Set V _{COMH} Voltage | Second command A[4:0] sets the V _{COMH} voltage level , A[4:0] 00000 0.51*V _{REF} 00001 0.52* V _{REF} 11101 0.81* V _{REF} (RESET) 11110 0.82* V _{REF} 11111 0.84* V _{REF} |
| 0 0 | BF A[3:0] | 1 * | 0 * | 1 * | 1 * | 1 A ₃ | 1 A ₂ | 1 A ₁ | 1 A ₀ | Set Segment Low Voltage (VSL) | Second command A[3:0] sets the VSL voltage as follow: A[3:0] = 0010 kept VSL pin NC A[3:0] = 1110 (RESET) connect a capacitor between VSL pin and V _{SS} |
| 0 | E3 | 1 | 1 | 1 | 0 | 0 | 0 | 1 | 1 | NOP | Command for No Operation |

■ INITIALIZATION CODE

```
Void init_oled()
{
    W_COMMAND(0x15); //SET COLUMN ADDRESS
    W_COMMAND(0x00);
    W_COMMAND(0x3F);
    W_COMMAND(0x75); //SET ROW ADDRESS
    W_COMMAND(0x00);
    W_COMMAND(0x3F);

    W_COMMAND(0x81); //SET CONTRAST CURRENT
    W_COMMAND(0x40);

    W_COMMAND(0x86); //SET CURRENT RANGE

    W_COMMAND(0xA0); //SET RE_MAP
    W_COMMAND(0x52);

    W_COMMAND(0xA1); //SET DISPLAY START LINE
    W_COMMAND(0x00);

    W_COMMAND(0xA2); //SET DISPLAY OFFSET
    W_COMMAND(0x40);

    W_COMMAND(0xA4); //SET DISPLAY MODE(A4:NORMAL,A5:ENTIRE ON,A6:ENTIRE
                        OFF,A7:INVERSE)

    W_COMMAND(0xA8); //SET MULTIPLEX RATIO
    W_COMMAND(0x3F); //16--80

    W_COMMAND(0xAD); //SET MASTER CONFIGURATION
    W_COMMAND(0x02); //select external vcc supply

    W_COMMAND(0xB0); //SET PRE-CHARGE COMPENSATION ENABLE
    W_COMMAND(0x28); //28,ENABLE PRE-CHARGE COMPENSATION

    W_COMMAND(0xB1); //SET PHASE LENGTH
    W_COMMAND(0x23);

    W_COMMAND(0xB2); //SET ROW PERIOD(FRAME FREQUENCY)
    W_COMMAND(0x46); //K=P1+P2+GS15 PULSE WIDTH

    W_COMMAND(0xB3); //SET DISPLAY CLOCK DIVIDE RATIO/OSCILLATOR FREQUENCY
    W_COMMAND(0x40); //655KHz,D=2

    W_COMMAND(0xB4); //SET PRE-CHARGE COMPENSATION LEVEL
    W_COMMAND(0x03);

    W_COMMAND(0xB8); //SET GRAY SCALE TABLE
    W_COMMAND(0x01); //GS1
    W_COMMAND(0x11); //GS3GS2
    W_COMMAND(0x22); //GS5GS4
```

```
W_COMMAND(0x32); //GS7GS6
W_COMMAND(0x43); //GS9GS8
W_COMMAND(0x54); //GS11GS10
W_COMMAND(0x65); //GS13GS12
W_COMMAND(0x76); //GS15GS14
```

```
W_COMMAND(0xBC); //SET PRE-CHARGE VOLTAGE
W_COMMAND(0x1F);
```

```
W_COMMAND(0xBE); //SET VCOMH VOLTAGE
W_COMMAND(0x13);
```

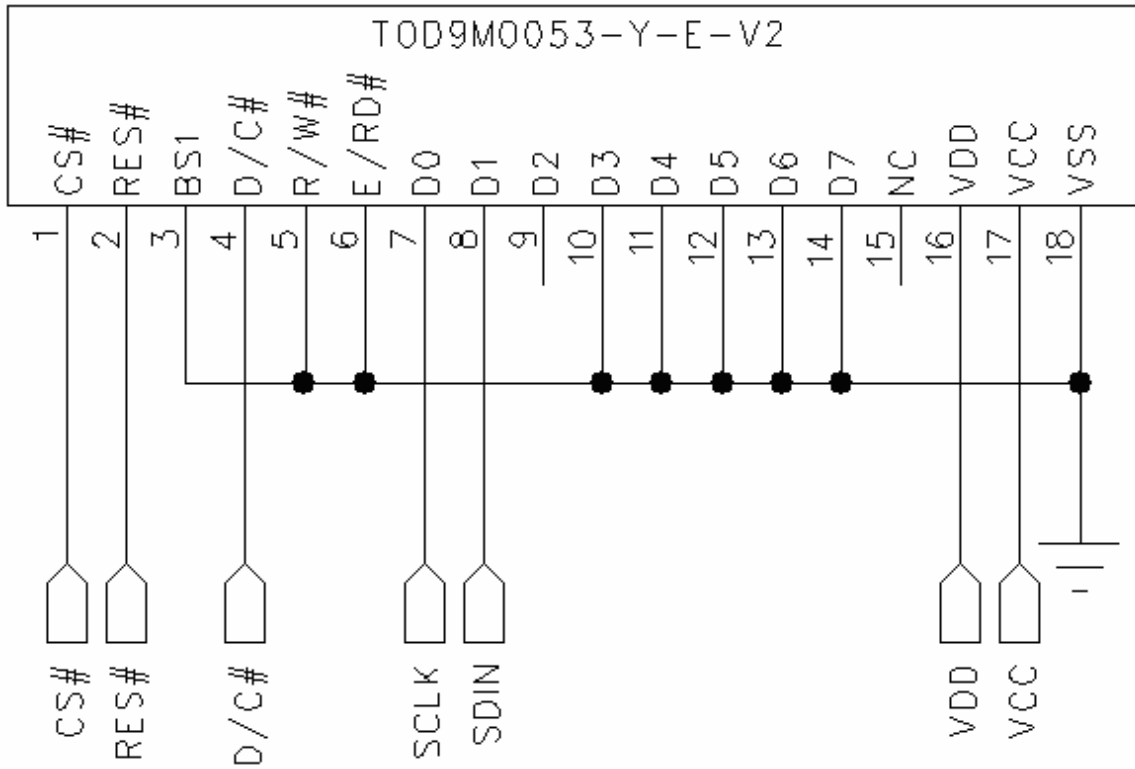
```
W_COMMAND(0xBF); //SET SEGMENT LOW VOLTAGE(VSL)
W_COMMAND(0x0E);
```

```
W_COMMAND(0xAF); //DISPLAY ON
```

```
}
```

■ SCHEMATIC EXAMPLE

◆ Serial Interface Application Circuit(External $V_{CC}=13.0V$):



NOTE:

- 1、 Pins connected to external Power supply: VDD、 VCC;
- 2、 In serial interface mode , the read function is not allowed.

■ RELIABILITY TESTS

| Item | | Condition | Criterion |
|-----------------------------------------------------|----------------------------------------------------------------|-------------------------------------------------------------------------------------------------------------------------------------------------------------------------------------------------------------------------------|-------------------------------------------------------------------------------------------------------------------------------------------------------------------------------------------------------------------------------------------------------------------------------------------------------------------------------------------------------------------------------------------------------------------------------------------------------------------------------------------------------|
| High Temperature Storage (HTS) | | 80±2°C, 200 hours | 1. After testing, the function test is ok. 2. After testing, no addition to the defect. 3. After testing, the change of luminance should be within +/- 50% of initial value. 4. After testing, the change for the mono and area color must be within (+/-0.02, +/- 0.02) and for the full color it must be within (+/-0.04, +/-0.04) of initial value based on 1931 CIE coordinates. 5. After testing, the change of total current consumption should be within +/- 50% of initial value. |
| High Temperature Operating (HTO) | | 70±2°C, 96 hours | |
| Low Temperature Storage (LTS) | | -30±2°C, 200 hours | |
| Low Temperature Operating (LTO) | | -20±2°C, 96 hours | |
| High Temperature / High Humidity Storage (HTHHS) | | 50±3°C, 90%±3%RH, 120 hours | |
| Thermal Shock (Non-operation) (TS) | | -20±2°C ~ 25°C ~ 70±2°C (30min) (5min) (30min) 10cycles | |
| Vibration (Packing) | 10~55~10Hz, amplitude 1.5mm, 1 hour for each direction x, y, z | 1. One box for each test. 2. No addition to the cosmetic and the electrical defects. | |
| Drop (Packing) | Height : 1 m, each time for 6 sides, 3 edges, 1 angle | | |
| ESD (finished product housing) | ±4kV (R: 330Ω C: 150pF, 10times, air discharge) | 1. After testing, cosmetic and electrical defects should not happen. 2. In case of malfunction or defect caused by ESD damage, it would be judged as a good part if it would be recovered to normal state after resetting. | |

Note: 1) For each reliability test, the sample quantity is 3, and only for one test item.

2) The HTHHS test is requested the Pure Water(Resistance>10MΩ).

3) The test should be done after 2 hours of recovery time in normal environment.

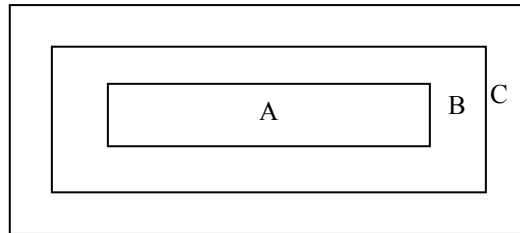
■OUTGOING QUALITY CONTROL SPECIFICATION

◆Standard

According to GB/T2828.1-2003/ISO 2859-1: 1999 and ANSI/ASQC Z1.4-1993, General Inspection Level II.

◆Definition

- 1 Major defect : The defect that greatly affect the usability of product.
- 2 Minor defect : The other defects, such as cosmetic defects, etc.
- 3 Definition of inspection zone:



Zone A: Active Area

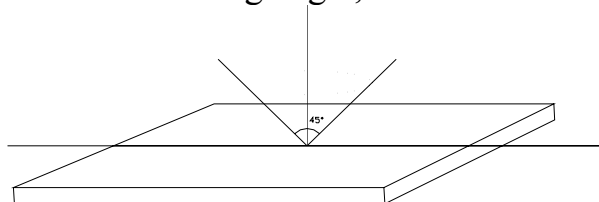
Zone B: Viewing Area except Zone A

Zone C: Outside Viewing Area

Note: As a general rule, visual defects in Zone C are permissible, when it is no trouble of quality and assembly to customer`s product.

◆Inspection Methods

- 1 The general inspection : under 20W x 2 or 40W fluorescent light, about 30cm viewing distance, within 45° viewing angle, under 25±5°C.



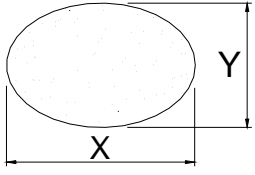
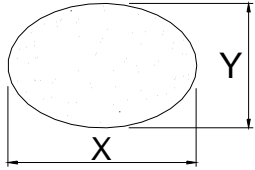
- 2 The luminance and color coordinate inspection : By PR705 or BM-7 or the equal equipments, in the dark room, under 25±5°C.

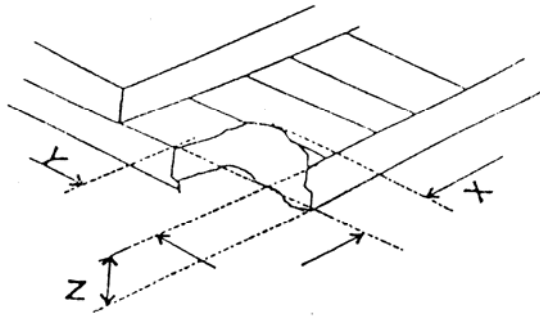
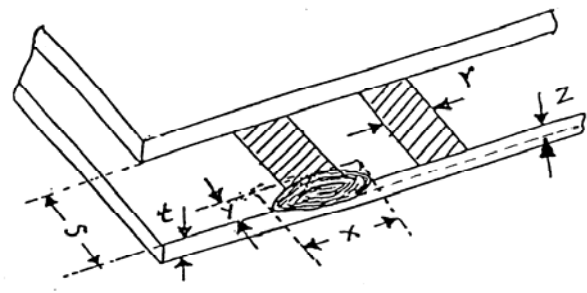
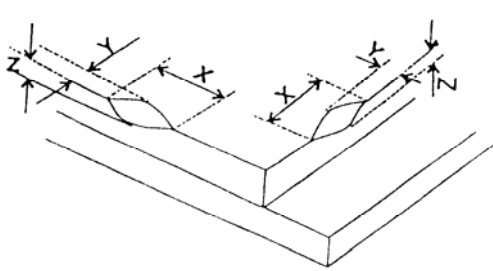
◆Inspection Criteria

- 1 Major defect : AQL= 0.65

| Item | Criterion |
|-------------------|----------------------------------------------------------|
| Function Defect | 1. No display or abnormal display is not accepted |
| | 2. Open or short is not accepted. |
| | 3. Power consumption exceeding the spec is not accepted. |
| Outline Dimension | Outline dimension exceeding the spec is not accepted. |
| Glass Crack | Glass crack tends to enlarge is not accepted. |

- 2 Minor Defect : AQL= 1.5

| Item | Criterion | | | |
|---------------------------------------------------------------------------|------------------------------------------------------------------------------------------------------------------------------------------------------|-------------------------|-----------------|---------|
| Spot Defect (dimming and lighting spot) | Size (mm) | | Accepted Qty | |
| | | | Area A + Area B | Area C |
| |  | $\Phi \leq 0.10$ | Ignored | |
| | | $0.10 < \Phi \leq 0.15$ | 3 | Ignored |
| | | $0.15 < \Phi \leq 0.20$ | 1 | |
| $0.20 < \Phi$ | | 0 | | |
| Note : $\Phi = (x + y) / 2$ | | | | |
| Line Defect (dimming and lighting line) | L (Length) : mm | W (Width) : mm | Area A + Area B | Area C |
| | / | $W \leq 0.03$ | Ignored | |
| | $L \leq 3.0$ | $0.03 < W \leq 0.05$ | 2 | Ignored |
| | $L \leq 2.0$ | $0.05 < W \leq 0.08$ | 1 | |
| | / | $0.08 < W$ | As spot defect | |
| Remarks: The total of spot defect and line defect shall not exceed 4 pcs. | | | | |
| Polarizer Stain | Stain which can be wiped off lightly with a soft cloth or similar cleaning is accepted, otherwise, according to the Spot Defect and the Line Defect. | | | |
| Polarizer Scratch | 1. If scratch can be seen during operation, according to the criterions of the Spot Defect and the Line Defect. | | | |
| | 2. If scratch can be seen only under non-operation or some special angle, the criterion is as below : | | | |
| | L (Length) : mm | W (Width) : mm | Area A + Area B | Area C |
| | / | $W \leq 0.03$ | Ignore | |
| | $5.0 < L \leq 10.0$ | $0.03 < W \leq 0.05$ | 2 | Ignore |
| | $L \leq 5.0$ | $0.05 < W \leq 0.08$ | 1 | |
| / | $0.08 < W$ | 0 | | |
| Polarizer Air Bubble | Size | | Area A + Area B | Area C |
| |  | $\Phi \leq 0.20$ | Ignored | |
| | | $0.20 < \Phi \leq 0.50$ | 2 | Ignored |
| | | $0.50 < \Phi \leq 0.80$ | 1 | |
| | | $0.80 < \Phi$ | 0 | |

| | | | | | | | |
|---------------------------------------------------------------------------------------------------------------------------------------------------------------------------------------------------------------------------------------------------------------------------------------------------------------------------------------------------------|--------------------------------------------------------------------------------------------------------------------------------------------------------------------------------------------------------------------------------------------------------------------------------------------------------------------------------------------|--------------|------------|--------------|----------|----------|----------|
| Glass Defect (Glass Chipped) | <p>1. On the corner</p>  <p>(mm)</p> <table border="1" data-bbox="1053 302 1420 470"> <tr> <td>x</td> <td>≤ 2.0</td> </tr> <tr> <td>y</td> <td>$\leq S$</td> </tr> <tr> <td>z</td> <td>$\leq t$</td> </tr> </table> | x | ≤ 2.0 | y | $\leq S$ | z | $\leq t$ |
| | x | ≤ 2.0 | | | | | |
| | y | $\leq S$ | | | | | |
| | z | $\leq t$ | | | | | |
| <p>2. On the bonding edge</p>  <p>(mm)</p> <table border="1" data-bbox="1053 761 1420 929"> <tr> <td>x</td> <td>$\leq a / 2$</td> </tr> <tr> <td>y</td> <td>$\leq s / 3$</td> </tr> <tr> <td>z</td> <td>$\leq t$</td> </tr> </table> | x | $\leq a / 2$ | y | $\leq s / 3$ | z | $\leq t$ | |
| x | $\leq a / 2$ | | | | | | |
| y | $\leq s / 3$ | | | | | | |
| z | $\leq t$ | | | | | | |
| <p>3. On the other edges</p>  <p>(mm)</p> <table border="1" data-bbox="1053 1198 1420 1366"> <tr> <td>x</td> <td>$\leq a / 5$</td> </tr> <tr> <td>y</td> <td>≤ 1.0</td> </tr> <tr> <td>z</td> <td>$\leq t$</td> </tr> </table> | x | $\leq a / 5$ | y | ≤ 1.0 | z | $\leq t$ | |
| x | $\leq a / 5$ | | | | | | |
| y | ≤ 1.0 | | | | | | |
| z | $\leq t$ | | | | | | |
| <p>Note: t: glass thickness ; s: pad width ; a: the length of the edge</p> | | | | | | | |
| TCP Defect | Crack, deep fold and deep pressure mark on the TCP are not accepted | | | | | | |
| Pixel Size | The tolerance of display pixel dimension should be within $\pm 20\%$ of the spec | | | | | | |
| Luminance | Refer to the spec or the reference sample | | | | | | |
| Color | Refer to the spec or the reference sample | | | | | | |

■ CAUTIONS IN USING OLED MODULE**◆ Precautions For Handling OLED Module:**

1. OLED module consists of glass and polarizer. Pay attention to the following items when handling:
 - i. Avoid drop from high, avoid excessive impact and pressure.
 - ii. Do not touch, push or rub the exposed polarizers with anything harder than an HB pencil lead.
 - iii. If the surface becomes dirty, breathe on the surface and gently wipe it off with a soft dry cloth. If it is terrible dirty, moisten the soft cloth with Isopropyl alcohol or Ethyl alcohol. Other solvents may damage the polarizer. Especially water, Ketone and Aromatic solvents.
 - iv. Wipe off saliva or water drops immediately, contact the polarizer with water over a long period of time may cause deformation.
 - v. Please keep the temperature within specified range for use and storage. Polarization degradation, bubble generation or polarizer peeling-off may occur with high temperature and high humidity.
 - vi. Condensation on the surface and the terminals due to cold or anything will damage, stain or dirty the polarizer, so make it clean as the way of iii.
2. Do not attempt to disassemble or process the OLED Module.
3. Make sure the TCP or the FPC of the Module is free of twisting, warping and distortion, do not pull or bend them forcefully, especially the soldering pins. On the other side, the SLIT part of the TCP is made to bend in the necessary case.
4. When assembling the module into other equipment, give the glass enough space to avoid excessive pressure on the glass, especially the glass cover which is much more fragile.
5. Be sure to keep the air pressure under 120 kPa, otherwise the glass cover is to be cracked.
6. Be careful to prevent damage by static electricity:
 - i. Be sure to ground the body when handling the OLED Modules.
 - ii. All machines and tools required for assembling, such as soldering irons, must be properly grounded.
 - iii. Do not assemble and do no other work under dry conditions to reduce the amount of static electricity generated. A relative humidity of 50%-60% is recommended.
 - iv. Peel off the protective film slowly to avoid the amount of static electricity generated.
 - v. Avoid to touch the circuit, the soldering pins and the IC on the Module by the body.
 - vi. Be sure to use anti-static package.
7. Contamination on terminals can cause an electrochemical reaction and corrode the terminal circuit, so make it clean anytime.
8. All terminals should be open, do not attach any conductor or semiconductor on the terminals.
9. When the logic circuit power is off, do not apply the input signals.
10. Power on sequence: $V_{DD} \rightarrow V_{CC}$, and power off sequence: $V_{CC} \rightarrow V_{DD}$.
11. Be sure to keep temperature, humidity and voltage within the ranges of the spec, otherwise shorten Module's life time, even make it damaged.
12. Be sure to drive the OLED Module following the Specification and datasheet of IC controller, otherwise something wrong may be seen.

13. When displaying images, keep them rolling, and avoid one fixed image displaying more than 30 seconds, otherwise the residue image is to be seen. This is the speciality of OLED.

◆ **Precautions For Soldering OLED Module:**

1. Soldering temperature : $260^{\circ}\text{C} \pm 10^{\circ}\text{C}$.
2. Soldering time : 3-4 sec.
3. Repeating time : no more than 3 times.
4. If soldering flux is used, be sure to remove any remaining flux after finishing soldering operation. (This does not apply in the case of a non-halogen type of flux.) It is recommended to protect the surface with a cover during soldering to prevent any damage due to flux spatters.

◆ **Precautions For Storing OLED Module:**

1. Be sure to store the OLED Module in the vacuum bag with dessicant.
2. If the Module can not be used up in 1 month after the bag being opened, make sure to seal the Module in the vacuum bag with dessicant again.
3. Store the Module in a dark place, do not expose to sunlight or fluorescent light.
4. The polarizer surface should not touch any other objects. It is recommended to store the Module in the shipping container.
5. It is recommended to keep the temperature between 0°C and 30°C , the relative humidity not over 60%.

◆ **Limited Warranty**

Unless relevant quality agreements signed with customer and law enforcement, for a period of 12 months from date of production, all products (except automotive products) TRULY will replace or repair any of its OLED modules which are found to be functional defect when inspected in accordance with TRULY OLED acceptance standards (copies available upon request). Cosmetic/visual defects must be returned to TRULY within 90 days of shipment. Confirmation of such date should be based on freight documents. The warranty liability of TRULY is limited to repair and/or replacement on the terms above. TRULY will not be responsible for any subsequent or consequential events.

◆ **Return OLED Module Under Warranty:**

1. No warranty in the case that the precautions are disregarded.
2. Module repairs will be invoiced to the customer upon mutual agreement. Modules must be returned with sufficient description of the failures or defects.

◆ **PRIOR CONSULT MATTER**

1. ① For TRULY standard products ,we keep the right to change material ,process ... for improving the product property without any notice on our customer.
② For OEM products ,if any change needed which may affect the product property , we will consult with our customer in advance.
2. If you have special requirement about reliability condition, please let us know before you start the test on our samples.