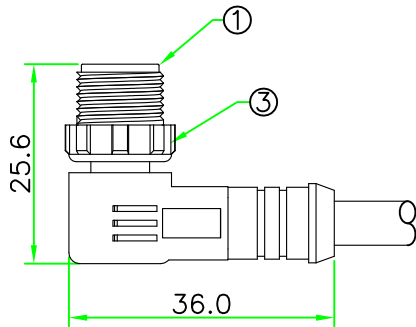
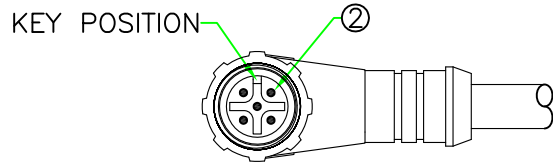
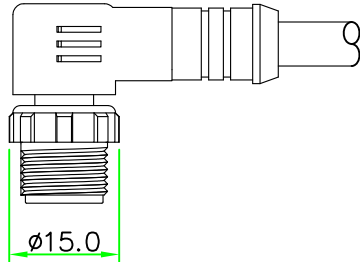


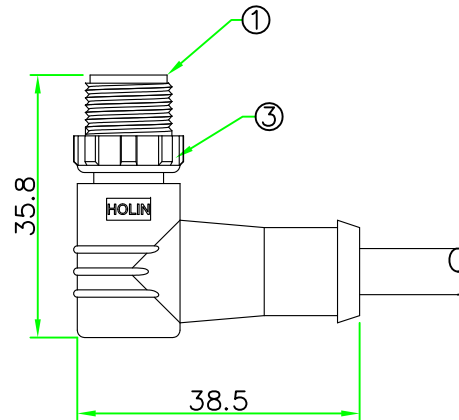
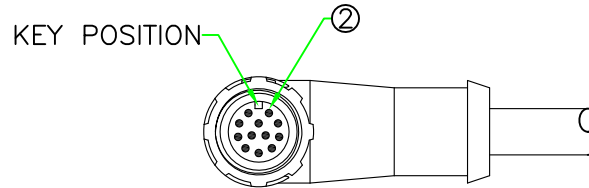
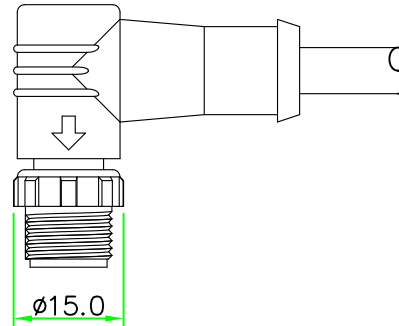
RoHS

IP66~68

2~5PIN



6~12PIN



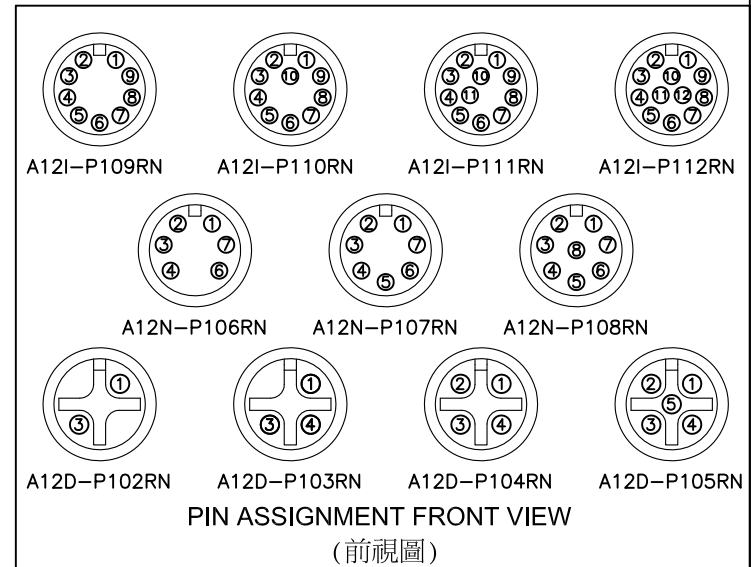
REV.	DESCRIPTION	DATE
A	ISSUE	Sep/02/2014

NOTES:

- ELECTRICAL CHARACTERISTICS:
CURRENT RATING: 1.5A / 2A / 4A
TEMPERATURE RANGE: -25°C TO +85°C
DIELECTRIC WITHSTANDING VOLTAGE:
500V AC FOR ONE MINUTE
- HOW TO ORDER: A12x-P1xxRN

- 02 - 2 PIN
- 03 - 3 PIN
- 04 - 4 PIN
- 05 - 5 PIN
- 06 - 6 PIN
- 07 - 7 PIN
- 08 - 8 PIN
- 09 - 9 PIN
- 10 - 10PIN
- 11 - 11PIN
- 12 - 12PIN

- I - CURRENT RATING 1.5A
- N - CURRENT RATING 2A
- D - CURRENT RATING 4A



HOLIN® HTP ASIA TECHNOLOGY CO., LTD.
禾凌科技股份有限公司

	UNIT: mm	TITLE	M12 A-Coding MALE R/A molded cable
SCALE	1:1		

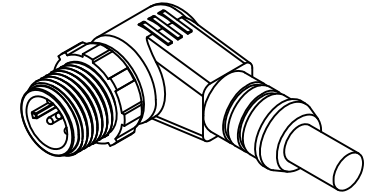
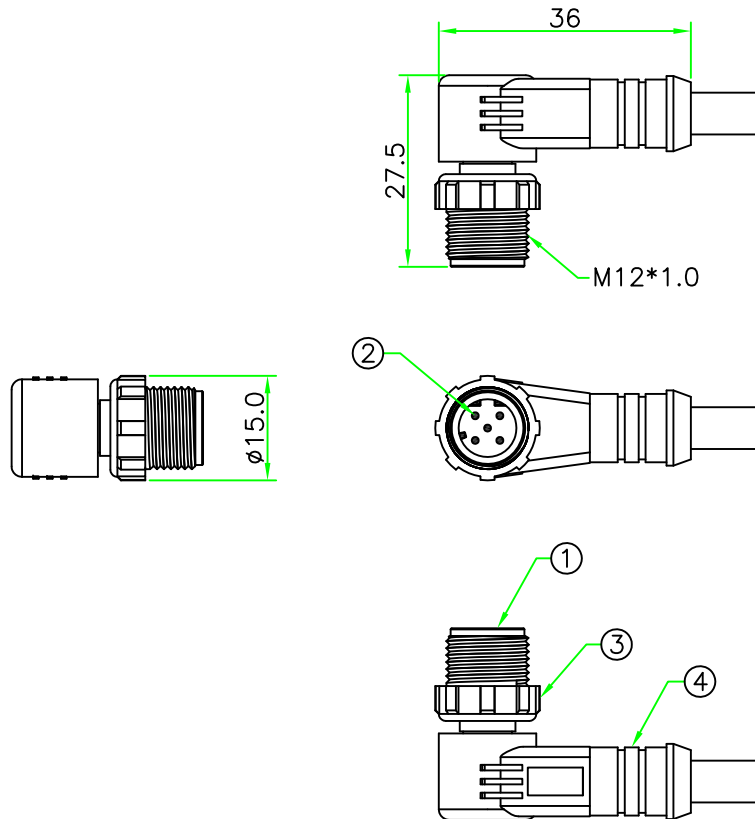
UNLESS OTHERWISE SPECIFIED TOLERANCES: .x ± 0.25 .xx ± 0.1 .xxx ± 0.05 ANGLE ± 1° REV. SHEET	A 1/1	P/N:	A12x-P1xxRN	DR. Patty
		DWG.NO:	A12x-P1xxRN	CH. ERIC
				AP.

No.	PART NAME	DESCRIPTION	COLOR	Q'TY	REMARKS
3	RING NUT	NYLON+GF.	BLACK	1	
2	CONTACT	Brass , 6 u" Gold Plated .Male Contact.		N	
1	CONNECTOR	M12 A-Coding Male Connector Insert.NYLON+GF.	BLACK	1	

RoHS

IP66-68

REV.	DESCRIPTION	DATE
A	ISSUE	Aug/14/2015

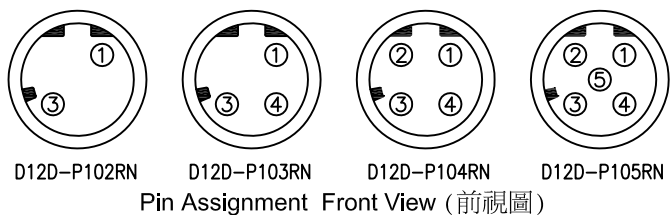


NOTES:

- ELECTRICAL CHARACTERISTICS:
 CURRENT RATING: 4A
 TEMPERATURE RANGE: -20°C TO +80°C
 DIELECTRIC WITHSTANDING VOLTAGE:
 500V AC FOR ONE MINUTE
- HOW TO ORDER: D12D-P1xxRN

- 02 - 2 PIN
- 03 - 3 PIN
- 04 - 4 PIN
- 05 - 5 PIN

*Cable specification and length can be customized.



4	OVERMOLD	PU or PVC.	BLACK		
3	RING NUT	NYLON+GF.	BLACK	1	
2	CONTACT	BRASS, 6 u" Gold Plated. Male Contact.		N	
1	CONNECTOR	M12 D-Coding Male Connector Insert.NYLON+GF.	BLACK	1	
No.	PART NAME	DESCRIPTION	COLOR	Q'TY	REMARKS

HOLIN [®] HTP ASIA TECHNOLOGY CO., LTD. 禾凌科技股份有限公司			
	UNIT: mm	TITLE	M12 D-Coding Male Connector All Plastic Molded Cable Ass'y
SCALE	1:1	P/N:	D12D-P1xxRN
UNLESS OTHERWISE SPECIFIED TOLERANCES: x ± 0.5 xx ± 0.25 xxx ± 0.1 ANGLE ± 1'		DR.	Patty
REV.	A	CH.	ERIC
	SHEET	DWG.NO:	D12D-P1xxRN
	1/1	AP.	