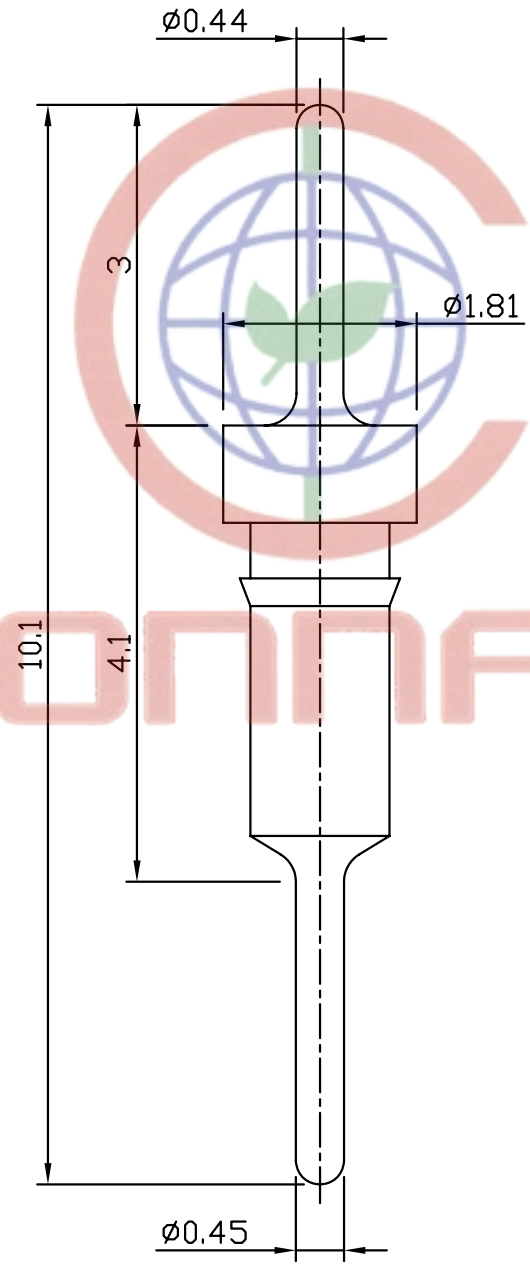


REV.	DESCRIPTION	DRAWN	CHECKED	APPROVED
A	NEW RELEASE	HP 07/08/05		



TECHNICAL DATA

- MATERIAL
 - . Pin: Brass,Machined,CuZn38Pb2
- ELECTRICAL
 - . Current Rating: 3A Per Pin max.
 - . Operating Voltage: 60V max
- PRODUCT NUMBER CODE:

DS1006-04 - X

PIN PLATED
 6: Full Tin
 8: Full Gold flash
 C: Full Gold 3u"
 A: Full Gold 10u"
 B: Full Gold 15u"

Tel: 86-574-63508787
 Fax: 86-574-63510817
 SERIES NO
 DS1006-04

GENERAL TOLERANCE		ANGLE TOLERANCE		PROJECTION		TITLE
X.	±0.20	X.	±2°	UNITS	mm	BOARD TO BOARD TERMINALS 10mm
.X	±0.10	.X	±1°	SHEET SIZE	A4	SERIES
.XX	±0.05	.XX	±0.5°	DS1006-04		
DRAWING TYPE	CUSTOMER					
SCALE	1:1	SHEET	1 OF 1			
DRAWING NO.	C-DS1006-04-X					

晨翔电子有限公司
CONNFLY CONNFLY ELECTRONIC CO. LTD