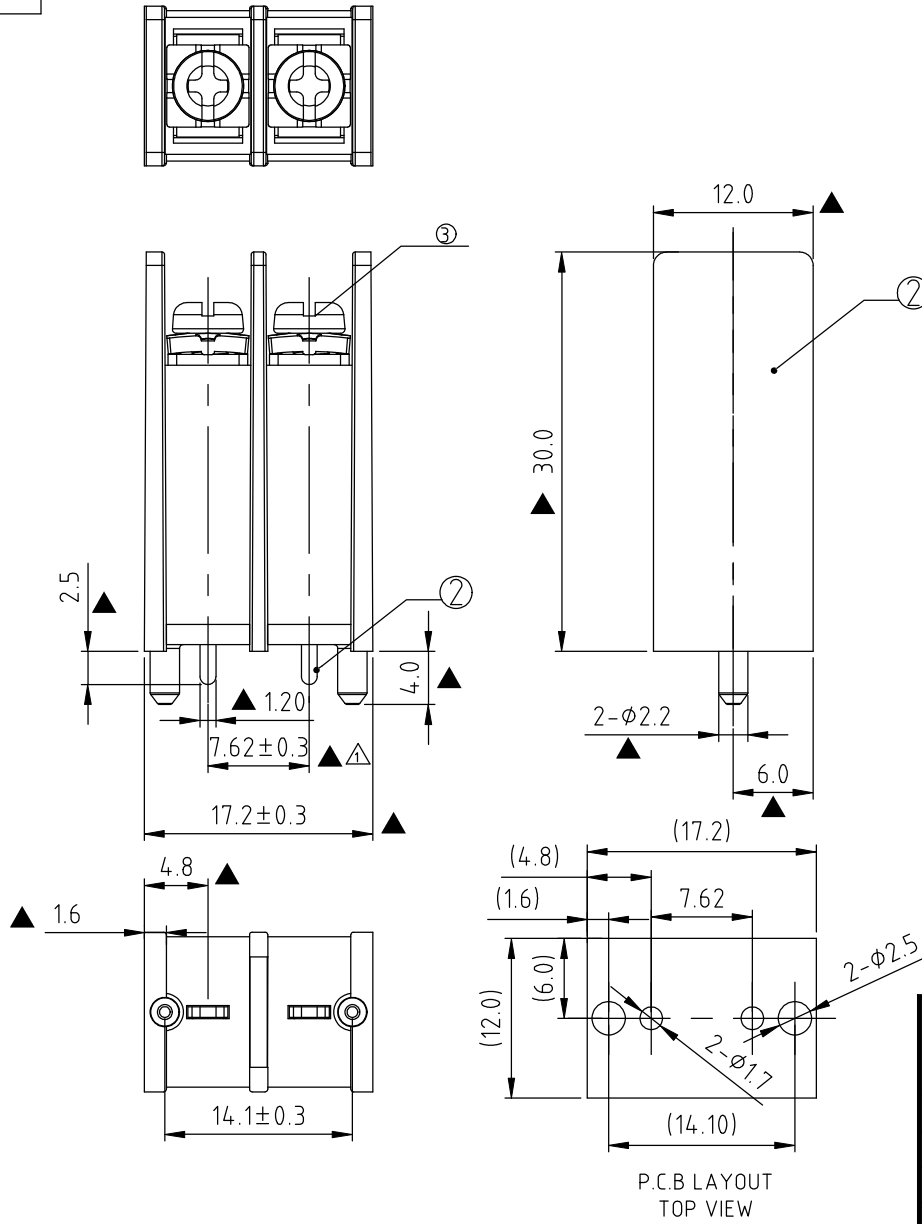


RoHS Compliant

Rev.	SIGN	DATE	DESCRIPTION	APPROVER
B	—	2017.08.09	The first release	Guoxue
C	△	2019.01.23	The dimension is changed from 7.62 to 7.62 ±0.3	Guoxue

THIS IS CAD DRAWING, DO NOT REVISE MANUALLY!!!



MATERIALS ELECTRICAL
 RATED VOLTAGE&CURRENT: 300V,15A
 WITHSTAND VOLTAGE: AC 2000V/Min
 INSULATION RESISTANCE: 1000M Ω OR MORE AT DC 500V
 OPERAING TEMPERATURE RANGE: -40℃- +115℃
 SCREW TORQUE VALUE: 5.2Lb-In
 WIRE RANGE: 14-22 AWG
 1)MOLDED PARTS: THERMOPLASTIC,UL 94 V-0 BLACK
 2)TERMINAL: BRASS 0.8T,Tin PLATED
 3)TERMINAL SCREWS: STEEL ,Zinc plated M3
 APPROVAL:
 Critical dimension: ▲

				CUSTOMER COPY <small>ALL RIGHTS RESERVED. REPRODUCTION OR ISSUE TO THIRD PARTIES IN ANY FORM WHATSOEVER IS NOT PERMITTED WITHOUT WRITTEN AUTHORITY FROM THE PROPRIETOR. PROPERTY OF ANYTEK TECHNOLOGY CO., LTD</small>	
TITLE	YK-304 2P 加高型 Series				
PART NO.	YK3040203001G/YK3040203101G	DWG NO.	8YK0005-304		
APPROVED	CHECKED	DESIGNED	DRAWN	CUST NO.	
		Guoxue 2019.01.23	Guoxue 2019.01.23		UNIT: mm
					SCALE: NONE
				SHEET: 01/01	REV.: C
				X. ±0.50	X.X ±0.30
				X.XX ±0.10	X* ±1*

P.C.B LAYOUT
TOP VIEW