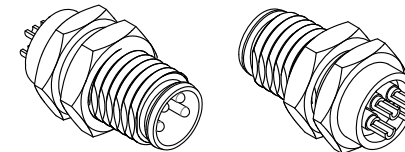
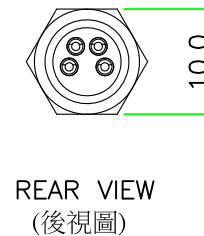
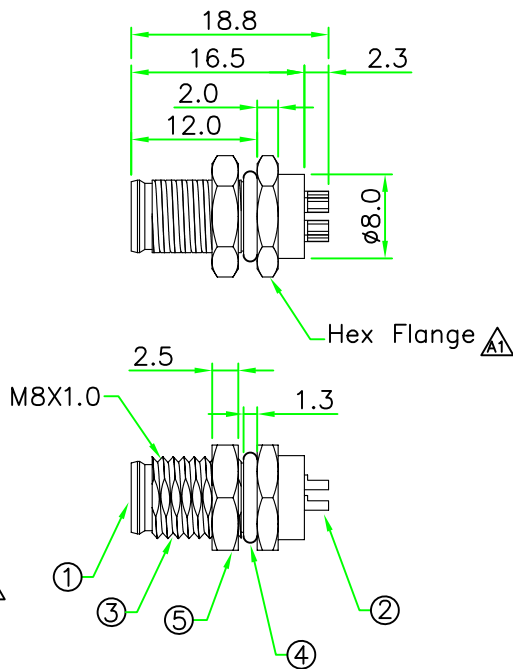
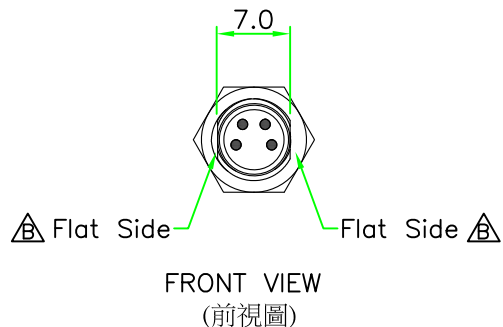


RoHS
IP66~68

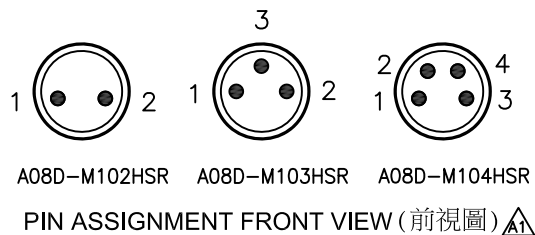


REV.	DESCRIPTION	DATE
A	ISSUE	Jun/20/2014
A1	Add 2 pin Spec.	Oct/24/2019
B	修改鐵殼本體為雙平邊	Jan/21/2020

NOTES:

- ELECTRICAL CHARACTERISTICS:
CURRENT RATING: 3A
TEMPERATURE RANGE: -25°C TO +85°C
DIELECTRIC WITHSTANDING VOLTAGE:
500V AC FOR ONE MINUTE
- Panel Thickness Max. 5mm.
- HOW TO ORDER: A08D-M1xxHSR \triangle

02 - 2 PINS
03 - 3 PINS
04 - 4 PINS

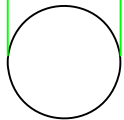


HOLIN[®] HTP ASIA TECHNOLOGY CO., LTD.
禾凌科技股份有限公司

5	HEX NUT	Brass, Nickel Plated.		1	
4	O-RING	Silicon.	BLACK	1	
3	SHELL	Brass, Nickel Plated.		1	
2	CONTACT	Brass , 6 u" Gold Plated . Male Contact.		N	
1	CONNECTOR	M8 A-Coding Male Connector Insert. Nylon+GF.	BLACK	1	
No.	PART NAME	DESCRIPTION	COLOR	Q'TY	REMARKS

ϕ	UNIT: mm	TITLE M8 A-Coding Male Panel Connector Rear mount Hex Flange With Solder Pin	
SCALE	1.5:1	P/N: A08D-M1xxHSR	DR. SIBYL
UNLESS OTHERWISE SPECIFIED TOLERANCES: .x ± 0.5 .xx ± 0.25 .xxx ± 0.1 ANGLE ± 1°			CH. JAMES
REV. B	SHEET 1/1	DWG.NO: A08D-M1xxHSR	AP.

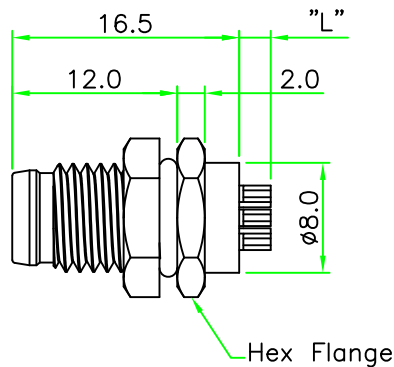
ø8.2±0.10



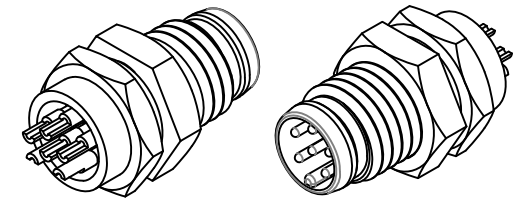
RECOMMENDED
PANEL CUT OUT

RoHS

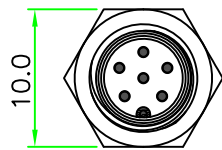
IP66~68



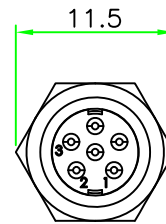
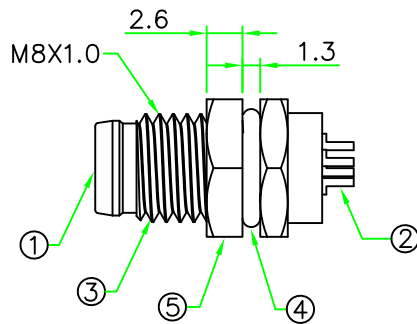
PIN	L
5~6 PINS	2.3
7~8 PINS	4.8



REV.	DESCRIPTION	DATE
A	ISSUE	Oct/24/2019



FRONT VIEW
(前視圖)

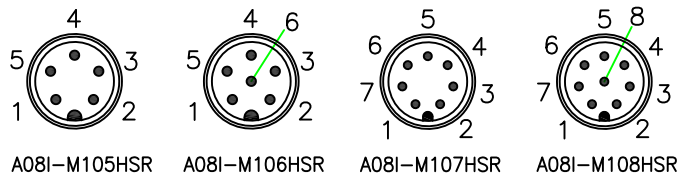


REAR VIEW
(後視圖)

NOTES:

- ELECTRICAL CHARACTERISTICS:
CURRENT RATING: 1.5A
TEMPERATURE RANGE: -25°C TO +85°C
DIELECTRIC WITHSTANDING VOLTAGE:
500V AC FOR ONE MINUTE
- Panel Thickness Max. 5mm.
- HOW TO ORDER: A08I-M1xxHSR

- 05 - 5 PINS 06 - 6 PINS
- 07 - 7 PINS 08 - 8 PINS



PIN ASSIGNMENT FRONT VIEW (前視圖)

5	HEX NUT	Brass, Nickel Plated.		1	
4	O-RING	Silicon.	BLACK	1	
3	SHELL	Brass, Nickel Plated.		1	
2	CONTACT	Brass , 6 u" Gold Plated . Male Contact.		N	
1	CONNECTOR	M8 A-Coding Male Connector Insert. Nylon+GF.	BLACK	1	
No.	PART NAME	DESCRIPTION	COLOR	Q'TY	REMARKS

HOLIN® HTP ASIA TECHNOLOGY CO., LTD. 禾凌科技股份有限公司	
 UNIT: mm SCALE: 2:1 UNLESS OTHERWISE SPECIFIED TOLERANCES: .x ± 0.5 .xx ± 0.25 .xxx ± 0.1 ANGLE ± 1' REV. A SHEET 1/1	TITLE: M8 A-Coding Male Panel Connector Rear mount Hex Flange With Solder Pin P/N: A08I-M1xxHSR DWG.NO: A08I-M1xxHSR
DR. SIBYL	CH. JAMES
AP.	