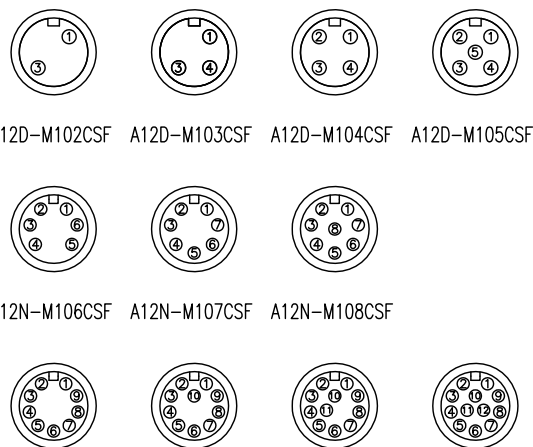


Recommended
Panel Cut-Out

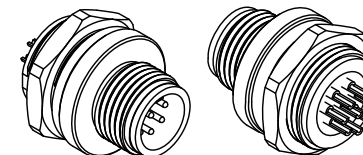
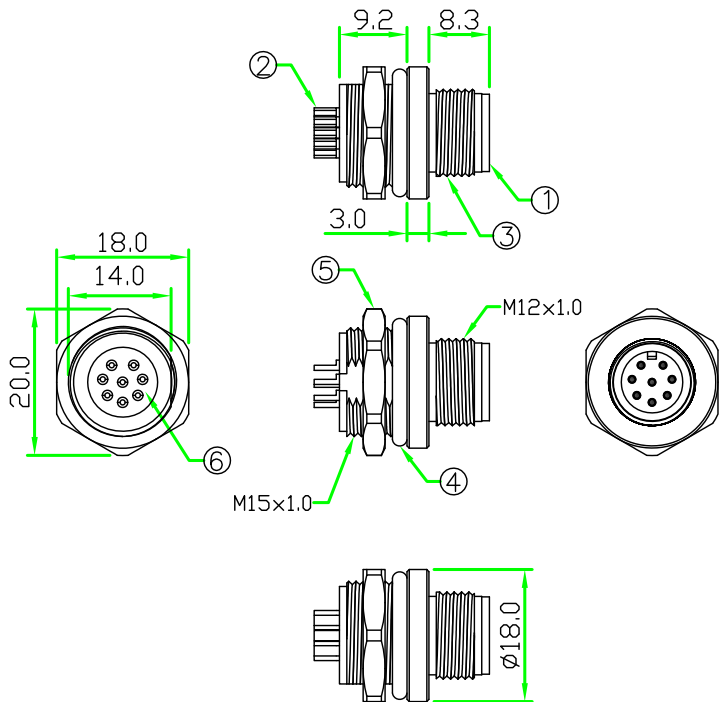
RoHS

IP66~68



Pin Assignment Front View

(前視圖)



NOTES:

1. ELECTRICAL CHARACTERISTICS:

CURRENT RATING: 1.5A / 2A / 5A

TEMPERATURE RANGE: -25°C TO +85°C

DIELECTRIC WITHSTANDING VOLTAGE:

500V AC FOR ONE MINUTE

2. HOW TO ORDER: A12x-M1xxCSF

- 02 - 2 PIN 08 - 8 PIN
- 03 - 3 PIN 09 - 9 PIN
- 04 - 4 PIN 10 - 10PIN
- 05 - 5 PIN 11 - 11PIN
- 06 - 6 PIN 12 - 12PIN
- 07 - 7 PIN

- I - CURRENT RATING 1.5A
- N - CURRENT RATING 2A
- D - CURRENT RATING 4A

6	GLUE	GLUE.	BLACK	1	
5	HEX NUT	BRASS, Nickel Plated.		1	
4	O-RING	SILICON.	BROWN	1	
3	HOUSING	BRASS, Nickel Plated.		1	
2	CONTACT	BRASS , 6 u" Gold plated .Male Contact.		N	
1	CONNECTOR	M12 A-Coding Male connector Insert.	BLACK	1	
No.	PART NAME	DESCRIPTION	COLOR	Q'TY	REMARKS

HOLIN® HTP ASIA TECHNOLOGY CO., LTD. 禾凌科技股份有限公司					
	UNIT: mm	TITLE : M12 A-Coding Male Panel Front mount Round Flange Solder Bucket Pin Connector			
SCALE	1:1	P/N:	A12x-M1xxCSF		DR. Patty
UNLESS OTHERWISE SPECIFIED TOLERANCES: .x ± 0.25 .xx ± 0.1 .xxx ± 0.05 ANGLE ± 1'			DWG.NO:	A12x-M1xxCSF	
REV.	SHEET	AP.			
A	1/1				