

SIGN	DATE	DESCRIPTION	APPROVER
△			

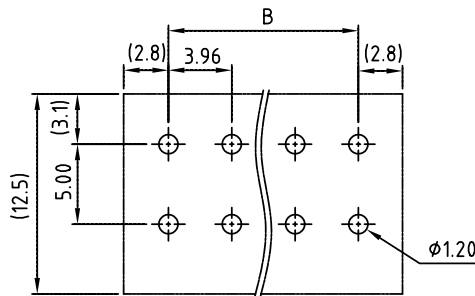
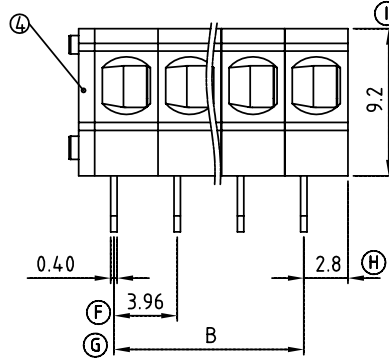
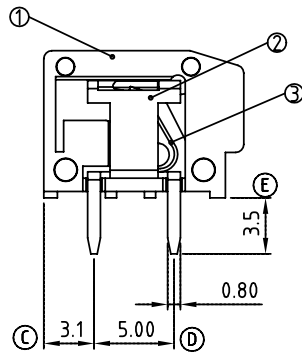
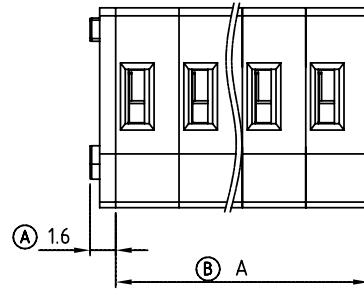
THIS IS CAD DRAWING, DO NOT REVISE MANUALLY!!!

Material:

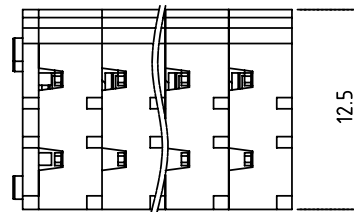
- Item ① Insulating body: Thermoplastic ( UL94V-0 )
- Item ② contact pin: Brass Tin plated.
- Item ③ Spring clamp : Stainless steel
- Item ④ Side Cover : Thermoplastic ( UL94V-0 )

Electrical:

- |                          |                   |
|--------------------------|-------------------|
|                          | cULus             |
| ● Voltage rating:        | 300V              |
| ● Current rating:        | 10A               |
| ● Wire range:            |                   |
| ● Solid wire(AWG):       | 16-20             |
| ● Stranded wire(AWG):    | 16-20             |
| ● Wire strip length:     | 9-10mm            |
| ● Withstanding Voltage:  | 1.6KV             |
| ● Operating temperature: | -40°C to +115°C   |
| ● Soldering temperature: | 250°C ±10°C/5 Sec |



P.C.B Layout



HB xx 41 x 1 xxxx G

No. OF POLES  
02: 2 POLES  
:  
24: 24 POLES  
COLOR

- 0: Black
- 2: RED
- 3: ORANGE
- 5: GREEN (RAL6018/T)
- 8: GREY

G: Pb<40000ppm  
0000 Standard @ Logo  
000A Standard ANY Logo  
Any special item by customer request, please contact sales department.

POLE	2	3	4	5	6	7	8	9	10	11	12	
A	7.92	11.88	15.84	19.80	23.76	27.72	31.68	35.64	39.60	43.56	47.52	
B	3.96	7.92	11.88	15.84	19.80	23.76	27.72	31.68	35.64	39.60	43.56	
Tol.	±0.15				±0.25							
POLE	13	14	15	16	17	18	19	20	21	22	23	24
A	51.48	55.44	59.40	63.36	67.32	71.28	75.24	79.20	83.16	87.12	91.08	95.04
B	47.52	51.48	55.44	59.40	63.36	67.32	71.28	75.24	79.20	83.16	87.12	91.08
Tol.	±0.30				±0.40							

ANYTEK				CUSTOMER COPY			
ALL RIGHTS RESERVED. REPRODUCTION OR ISSUE TO THIRD PARTIES IN ANY FORM WHATSOEVER IS NOT PERMITTED WITHOUT WRITTEN AUTHORITY FROM THE PROPRIETOR. PROPERTY OF ANYTEK TECHNOLOGY CO., LTD							
TITLE	HB 3.96 mm Without lever Series						
PART NO.	HBxx41x1xxxxG			DWG NO.	8HB0602		
APPROVED	CHECKED	DESIGNED	DRAWN	CUST NO.	Tolerance		
		Kind	Tony			UNIT: mm	X. ±0.50
		2009.11.03	2008.12.16			SCALE: NONE	X.X ±0.30
						REV.: B	X.XX ±0.10
							X° ±1°
					SHEET: 01/01		