

## 4ch Video Driver with Y/C mix and SD/HD LPF

### ■ GENERAL DESCRIPTION

The NJM41041 is a single supply voltage 4ch Video amplifier with Y/C mix and SD/ HD LPF.

### ■ PACKAGE OUTLINE



NJM41041VC3

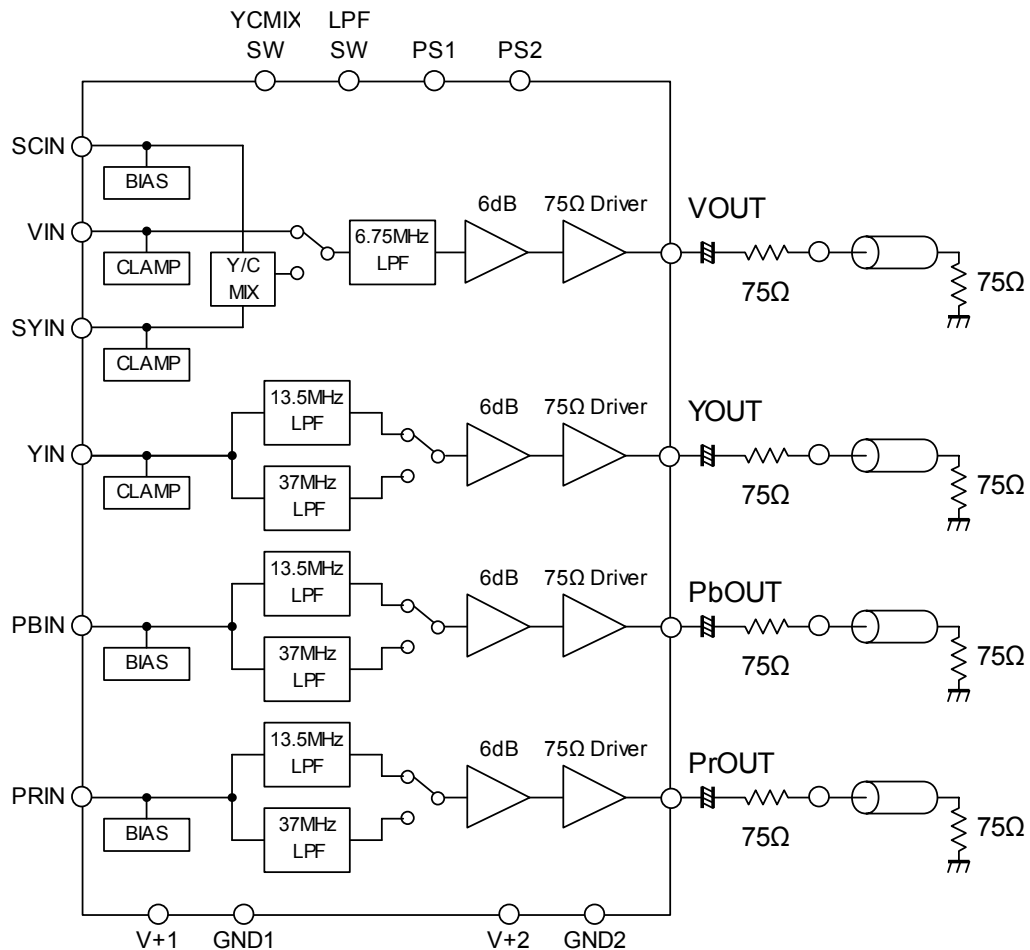
### ■ APPRICATION

- BD/DVD player
- Home Theater
- STB
- AV receiver

### ■ FEATURES

- Operating Voltage 4.5 to 5.5V
- Composite/ Component Video Signal Input
- SD/HD LPF
- Y/C mix 6.75MHz/13.5MHz/37MHz
- 6dB amplifier
- 75Ω Driver Circuit
- Power Save Circuit(V,Y/Pb/Pr independent control)
- Bipolar Technology
- Package Outline SSOP20-C3

### ■ BLOCK DIAGRAM



# NJM41041

## ■ ABSOLUTE MAXIMUM RATINGS (Ta=25°C)

PARAMETER	SYMBOL	RATINGS	UNIT
Supply Voltage	V <sup>+</sup>	7.0	V
Power Dissipation	P <sub>D</sub>	1500 (Note 1)	mW
Operating Temperature Range	Topr	-40 to +85	°C
Storage Temperature Range	Tstg	-40 to +150	°C

(Note 1) At on a board of EIA/JEDEC specification. (114.3 x 76.2 x 1.6mm 4 layers, FR-4)

## ■ RECOMMENDED OPERATING CONDITION (Ta=25°C)

PARAMETER	SYMBOL	TEST CONDITION	MIN.	TYP.	MAX.	UNIT
Operating Voltage	Vopr		4.5	5.0	5.5	V

## ■ ELECTRICAL CHARACTERISTICS (Ta=25°C, V<sup>+</sup>=5V, R<sub>L</sub>=150Ω)

PARAMETER	SYMBOL	TEST CONDITION	MIN.	TYP.	MAX.	UNIT
Operating Current	I <sub>CC</sub>	No Signal	-	70	90	mA
Operating Current at Power Save1	Isave1	Power Save Mode(PS1:ON,PS2:ON)	-	0.5	1	mA
Operating Current at Power Save2	Isave2	Power Save Mode(PS1:OFF,PS2:ON)	-	20	34	mA
Operating Current at Power Save3	Isave3	Power Save Mode(PS1:ON,PS2:OFF)	-	50	65	mA
Maximum Output Voltage Swing	Vom	Vin=100kHz, Sine Signal, THD=1%	2.4	-	-	Vp-p
Voltage Gain1	Gv1	(Note 1) Vin=1MHz, 1.0Vp-p, Sine Signal	5.5	6.0	6.5	dB
Voltage Gain2	Gv2	(Note 2) Vin=3.58MHz, 1.0Vp-p, Sine Signal	5.5	6.0	6.5	dB
Low Pass Filter Characteristic 1	Gfy6.75M	(Note 1) 6.75MHz/1MHz, 1.0Vp-p, Sine Signal	-1.0	0	1.0	dB
	Gfy108M	(Note 1) 108MHz/1MHz, 1.0Vp-p, Sine Signal	-	-40.0	-24.0	dB
Low Pass Filter Characteristic 2	Gf <sub>HD</sub> 13.5M	(Note 3) 13.5MHz/1MHz, 1.0Vp-p, Sine Signal	-1.0	0	1.0	dB
	Gf <sub>HD</sub> 108M	(Note 3) 108MHz/1MHz, 1.0Vp-p, Sine Signal	-	-40.0	-24.0	dB
Low Pass Filter Characteristic 3	Gf <sub>HD</sub> 37M	(Note 3) 37MHz/1MHz, 1.0Vp-p, Sine Signal	-	-3.0	-	dB
	Gf <sub>HD</sub> 148M	(Note 3) 148MHz/1MHz, 1.0Vp-p, Sine Signal	-	-40.0	-24.0	dB
Differential Gain	DG	(Note 4) Vin=1.0Vp-p, 10step Video Signal	-	0.5	-	%
Differential Phase	DP	(Note 4) Vin=1.0Vp-p, 10step Video Signal	-	0.5	-	deg
S/N Ratio1	SN1	(Note 5) Vin=1.0Vp-p, 100% White video signal, 100KHz to 6MHz	-	80	-	dB
S/N Ratio2	SN2	(Note 6) Vin=1.0Vp-p, 100% White video signal, 100KHz to 6MHz	-	75	-	dB
SW Voltage High Level	VthH		2.2	-	V <sup>+</sup>	V
SW Voltage Low Level	VthL		0	-	1.0	V
Switch inflow current High Level	IthH	V=5V	-	-	120	μA
Switch inflow current Low Level	IthL	V=0.3V	-	-	8.0	μA

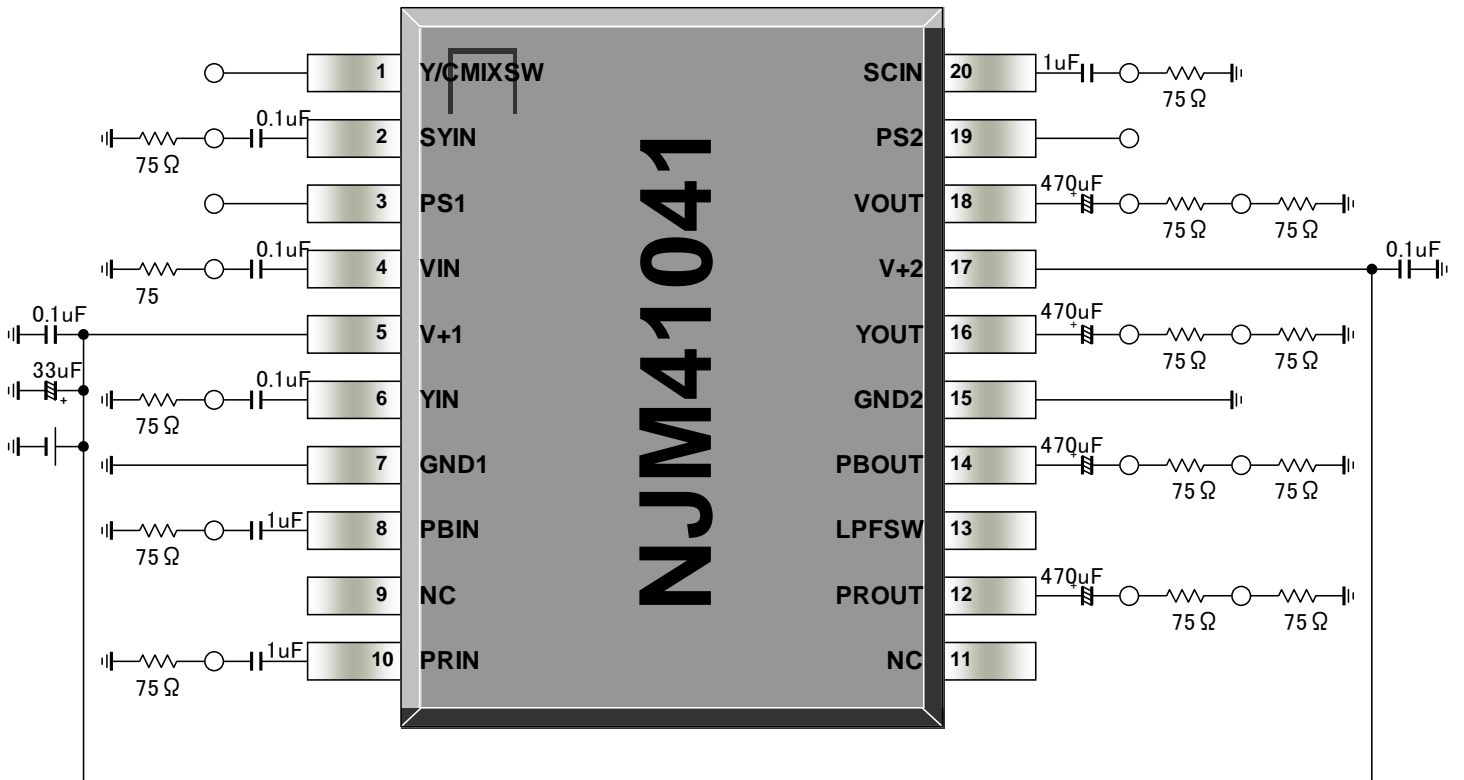
(Note 1) V,SYIN,Y,Pb,Pr Input, (Note 2) SCIN Input (Note 3) Y,Pb,Pr Input, (Note 4) V,Y Input (Note 4) V,Y,Pb,Pr Input, (Note 5) SYIN Input

**■ CONTROL TERMINAL**

PARAMETER	STATUS	NOTE
P S 1 (Power Save1)	H	V Power Save: ON (Mute)
	L	V Power Save: OFF (Active)
	OPEN	V Power Save: OFF (Active)
P S 2 (Power Save2)	H	Y/Pb/Pr Power Save: ON (Mute)
	L	Y/Pb/Pr Power Save: OFF (Active)
	OPEN	Y/Pb/Pr Power Save: OFF (Active)
Y / C M I X	H	VOUT: Y/C MIX
	L	VOUT: Vin
	OPEN	VOUT: Vin
L P F S W (Low Pass Filter)	H	37MHz LPF
	L	13.5MHz LPF
	OPEN	13.5MHz LPF

# NJM41041

## TEST CIRCUIT



[CAUTION]  
 The specifications on this databook are only given for information, without any guarantee as regards either mistakes or omissions. The application circuits in this databook are described only to show representative usages of the product and not intended for the guarantee or permission of any right including the industrial rights.