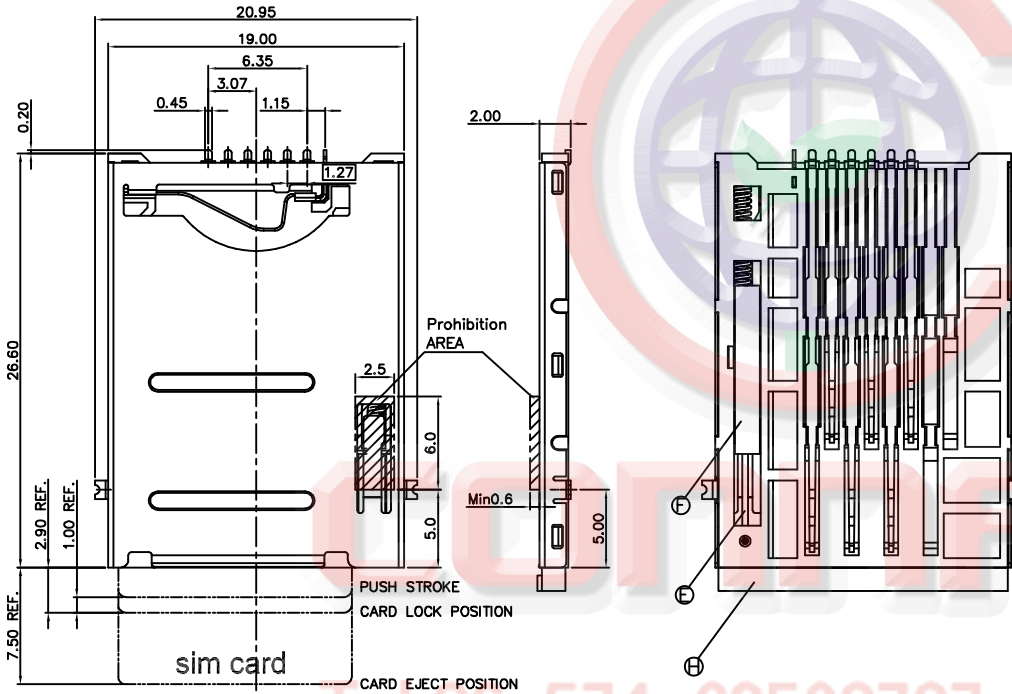


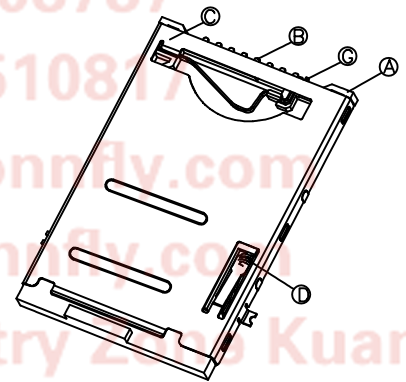
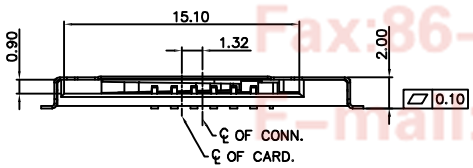
| REV. | DESCRIPTION | DRAWN | CHECKED | APPROVED |
|------|-------------|---------------|---------|----------|
| A | NEW RELEASE | JLZ 10/07/14' | | |
| | | | | |
| | | | | |



- Notes:
- Material:
 - Housing: High Temperature LCP UL 94V-0 Color of Black.
 - Contacts: Copper Alloy.
 - Shell: Stainless Steel.
 - Finish:
 - Contact Area: Gold Over Nickel.
 - Solder Area: Matte Tin.
 - Specifications:
 - Operating Temperature: $-40^{\circ}\text{C} \sim +105^{\circ}\text{C}$
 - Insulating Resistance: 100M Ω Min.
 - Contact Resistance: 50m Ω Max.
 - Withstanding Voltage: 500V AC 1min.
 - Voltage Rating: 30V AC/DC.
 - Current Rating: 1.0A.
 - Product Number Code:

DS1138-05 - XX X X X X X X

- Packing Type
R: Tape On Reel
- Shell Materials
S: Stainless
- Housing color
B: Black
- Contact Plating
4: Selective 3u" gold
- Mounting type
S: SMT type
- Connector type
S: Socket
- No. of contacts
06:6pin



| ITEM | PART NAME | MATERIAL | Q'TY |
|------|-------------|--------------------|-------|
| (A) | DUMMY CARD | HIGH TEMP, PLASTIC | 1 PCS |
| (B) | CD TERMINAL | COPPER ALLOY | 1 PCS |
| (C) | SLIDER | HIGH TEMP, PLASTIC | 1 PCS |
| (D) | HOOK | STAINLESS STEEL | 1 PCS |
| (E) | SHELL | SWP | 1 PCS |
| (F) | SPRING | STAINLESS STEEL | 1 PCS |
| (G) | TERMINAL | COPPER ALLOY | 6 PCS |
| (H) | HOUSING | HIGH TEMP. PLASTIC | 1 PCS |

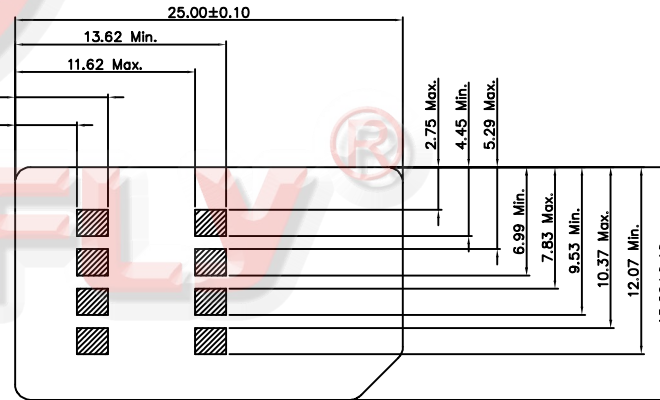
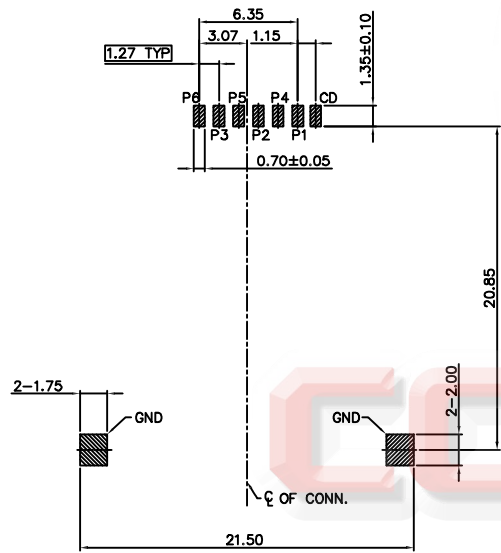
| GENERAL TOLERANCE | | ANGLE TOLERANCE | |
|-------------------|------------|-----------------|-----------------|
| X. | ± 0.60 | X. | $\pm 5^{\circ}$ |
| .X | ± 0.38 | .X | $\pm 3^{\circ}$ |
| .XX | ± 0.25 | .XX | $\pm 2^{\circ}$ |

| DRAWING TYPE | CUSTOMER | | |
|--------------|---------------------|-------|--------|
| SCALE | 1:1 | SHEET | 1 OF 2 |
| DRAWING NO. | C-DS1138-05-XXXXXXX | | |

| PROJECTION | TITLE | 1.27mm SIM Card H=2.0mm 6P Push Push W/O Post | |
|------------|-------|--|------------------|
| UNITS | mm | | |
| SHEET SIZE | A4 | SERIES | DS1138-05 SERIES |

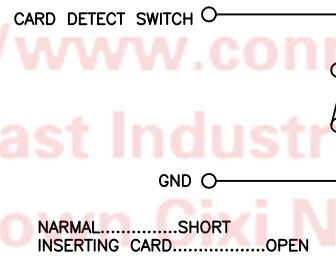
晨翔电子有限公司
CONNFLY® CONNFLY ELECTRONIC CO., LTD

| REV. | DESCRIPTION | DRAWN | CHECKED | APPROVED |
|------|-------------|---------------|---------|----------|
| A | NEW RELEASE | JLZ 10/07/14' | | |
| | | | | |
| | | | | |



PIN ASSIGNMENTS

| CONNECTOR TERMINAL NO. | PIN NO. |
|------------------------|-------------------------------|
| PIN 1 | VCC: PWR SIGNAL AND GND |
| PIN 2 | RST; RESET SIGNAL |
| PIN 3 | CLK: CLOCKING SIGNAL |
| PIN 4 | GND: PWR SIGNAL AND GND |
| PIN 5 | VPP: PROGRAMMING VOLTAGE |
| PIN 6 | I/O: SERIAL DATE INPUT/OUTPUT |



Tel:86-574-63508787

Fax:86-574-63510817

E-mail:sale@connfly.com

http://www.connfly.com

Address: East Industry Zone KuangYan

Town Cixi Ningbo China

P.C:315333

| GENERAL TOLERANCE | | ANGLE TOLERANCE | |
|-------------------|-------|-----------------|-----|
| X. | ±0.60 | X. | ±5° |
| .X | ±0.38 | .X | ±3° |
| .XX | ±0.25 | .XX | ±2° |

| DRAWING TYPE | CUSTOMER | | |
|--------------|---------------------|-------|--------|
| SCALE | 1:1 | SHEET | 2 OF 2 |
| DRAWING NO. | C-DS1138-05-XXXXXXX | | |

| PROJECTION | TITLE | 1.27mm SIM Card H=2.0mm 6P Push Push W/O Post | |
|------------|-------|--|------------------|
| UNITS | mm | SHEET SIZE | A4 |
| SHEET SIZE | A4 | SERIES | DS1138-05 SERIES |

晨翔电子有限公司
CONNFLY® CONNFLY ELECTRONIC CO., LTD