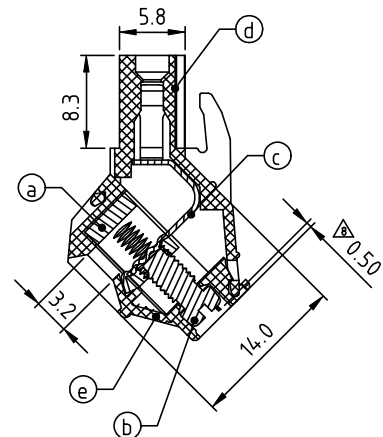
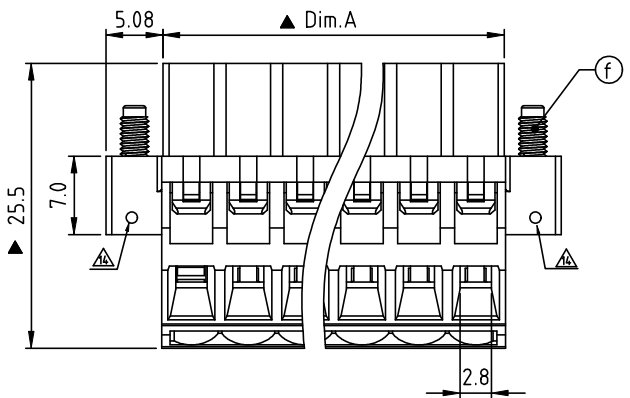
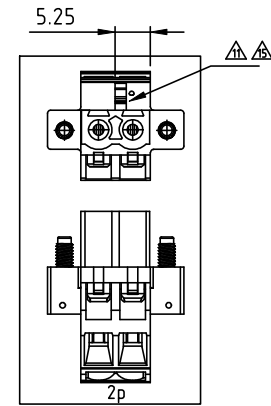
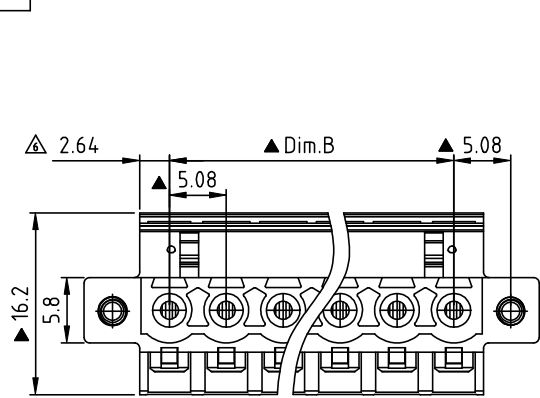


RoHS Compliant



EM xx 51 x 2 xxxx G

- 02 2 CONTACTS
- 03 3 CONTACTS
-
- 24 24 CONTACTS

- Color
- 0 Black (RAL9005)
 - 2 Red (RAL3001/D)
 - 3 Orange(RAL2011/P)
 - 4 Yellow(RAL1018/A)
 - 5 Green(RAL6018/T)
 - 6 Blue (RAL5015/A)
 - 8 Grey(RAL7035/D)
 - 9 White
 - C Green(RAL6018/U)

0000: "@" Logo
 000A: "ANYTEK" Mark
 Any special item by customer request. please contact sales department.

G RoHS compliant (lead<4%)
 In copper Alloy

Dim.A=N×5.08
 Dim.B=(N-1)×5.08
 N=NUMBER OF CONTACTS

POLES	TOL Dim.A/B
2p-6p	±0.10
7p-12p	±0.20
13p-18p	±0.30
19p-24p	±0.40

Rev.	SIGN	DATE	DESCRIPTION	APPROVER
	△	2006.08.04	Current rating is changed from 10A to 20A	Marvin
C	△	2006.08.04	Solid wire(AWG) standard is changed from 12-30 to 12-22	Marvin
	△	2006.08.04	Stranded wire(AWG) standard is changed from 12-30 to 12-22	Marvin
	△	2006.08.04	Torque standard is changed from 5 Lb-In to 4 Lb-In	Marvin
D	△	2008.06.03	Operating temperature is changed	Marvin
	△	2008.06.03	Dimension is changed from 2.54 to 2.64	Marvin
E	△	2010.04.01	Add the 2p mark	Jacke
F	△	2010.06.15	The design is changed	Cheng Bo
G	△	2018.11.28	Increase RoHS Compliant to replace drawing frame	ZHEN BING
	△	2018.11.28	Increase key dimension representation	ZHEN BING
	△	2018.11.28	Change of hook position	ZHEN BING
	△	2018.11.28	The tolerance is changed,Modify the +/- tolerance	ZHEN BING
	△	2018.11.28	Add material colors white and Green	ZHEN BING
	△	2018.11.28	Update the drawing	ZHEN BING
H	△	2019.03.11	Change of hook position	ZHEN BING
	△	2019.03.11	Update the drawing	ZHEN BING

THIS IS CAD DRAWING, DO NOT REVISE MANUALLY!!!

Material

- Item ① Clamp: Brass(CuZn) Ni plated
 - Item ② Terminal screw: Steel Zinc plating "-" slot type
 - Item ③ Female contact: PhBz ,Tin plated
 - Item ④ Terminal (up body): Thermoplastic (UL94V-0)
 - Item ⑤ Terminal (down body): Thermoplastic (UL94V-0)
 - Item ⑥ Flange screw: Steel Zinc plating "+/-" slot type
- Electrical cULus
- Voltage rating: 300VAC
 - △ ● Current rating: 20A
 - Wire range:
 - △ ● Solid wire(AWG): 12-22
 - △ ● Stranded wire(AWG): 12-22
 - △ ● Torque: 4 Lb-In
 - Screw: M3
 - Wire strip length: 7-8mm
 - Withstanding Voltage: 1.6KV
 - △ ● Operating temperature: -40°C to +115°C
 - Safety Approval:
 - Critical dimension:

Amphenol ANYTEK				CUSTOMER COPY			
ALL RIGHTS RESERVED. REPRODUCTION OR ISSUE TO THIRD PARTIES IN ANY FORM WHATSOEVER IS NOT PERMITTED WITHOUT WRITTEN AUTHORITY FROM THE PROPRIETOR. PROPERTY OF ANYTEK TECHNOLOGY CO., LTD							
TITLE		EM-5.08 Series with flange					
PART NO.		EMxx51x2xxxxG		DWG NO.		8EM0002	
APPROVED		CHECKED	DESIGNED	DRAWN	CUST NO.		Tolerance
			ZHEN BING 2019.03.11	ZHEN BING 2019.03.11			X. ±0.50 X.X ±0.30 X.XX ±0.10 X* ±1*
				SHEET: 01/01		REV.: H	