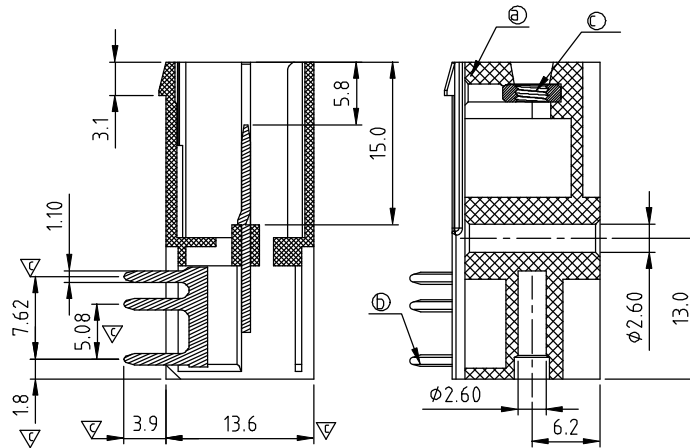
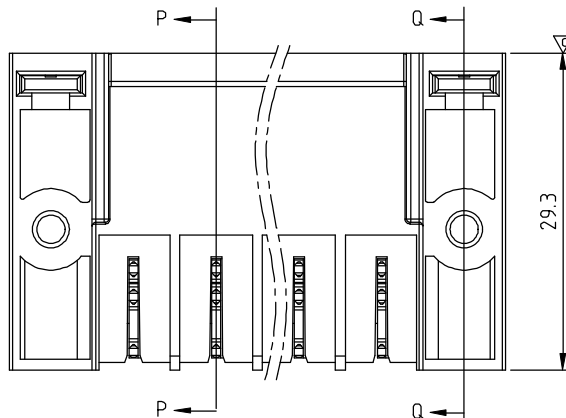


P.C.B Layout



SECTION P-P

SECTION Q-Q

SIGN	DATE	DESCRIPTION	APPROVER
△	09/21`13	P.C.B Layout is changed	Chen Bo
△	12/10`13	change the electrical specification	Chen Bo
△	12/10`13	change the product number	Chen Bo

THIS IS CAD DRAWING, DO NOT REVISE MANUALLY!!!

Material:

- Item a Terminal(housing): Thermoplastic (UL94V-0)
- Item b Contact pin: Copper, Tin plated
- Item c With flange nut : Steel zinc plating M3

Electrical:

- Voltage rating:300V
- Current rating:41A
- Withstanding Voltage:1.6 KV
- Operating temperature:-40°C to +115°C
- Soldering temperature:260°C±5°C/5 Sec
- Safety Approval: US
- Critical dimension: ▽

3 VC xx 0 1 x C xxxx G

No. OF POLES
02: 2 POLES
...
16: 16 POLES

G RoHS compliant (lead<4%)
In copper Alloy
0000: "@" Logo (Standard)
000A: "ANYTEK" Mark
Any special item by customer request.
please contact sales department.

COLOR
0 Black (RAL9005)
2 Red (RAL3001/D)
3 Orange(RAL2011/P)
4 Yellow(RAL1018/A)
5 Green(RAL6018/T)
6 Blue (RAL5015/A)
8 Grey(RAL7035/D)
9 White(RAL1102)
C Green(RAL6018/U)

DIMENSION

N=Number of contacts

Dim	Formula	Poles	Tolerance
Dim L	(N-1)×7.62+22.86	2p-5p	±0.20
Dim A	(N-1)×7.62+15.24	6p-12p	±0.30
Dim B	(N-1)×7.62	13p-16p	±0.40
Dim C	(N-1)×7.62		

ANYTEK

CUSTOMER COPY

ALL RIGHTS RESERVED. REPRODUCTION OR ISSUE TO THIRD PARTIES IN ANY FORM WHATSOEVER IS NOT PERMITTED WITHOUT WRITTEN AUTHORITY FROM THE PROPRIETOR. PROPERTY OF ANYTEK TECHNOLOGY CO., LTD

TITLE		VC 7.62 Series 2P-16P W/flange Right angle down (Three tail type)			
PART NO.	VCxx01xCxxxxG	DWG NO.	8VC0106		
APPROVED	CHECKED	DESIGNED	DRAWN	CUST NO.	Tolerance
		Chen Bo 12/10`13	Chen Bo 12/10`13		X. ±0.50 X.X ±0.30 X.XX ±0.10 X° ±1°
SHEET: 01/01				UNIT: mm	
				SCALE: NONE	
				REV.: D	