

The information provided herein is from CONNELY Electronic Co., Ltd. and is confidential. Any disclosure to a party other than the recipient is prohibited. The intellectual properties and its rights contained herein, including but not limited to, trademarks, patents, copyrights, trade secrets, and technical know-how, are owned exclusively by CONNELY or its affiliates. Unauthorized use or reproduction of any part of this document is strictly prohibited. CONNELY may enforce its intellectual property rights at its own discretion, failures or delays to exercise such rights does not constitute a waiver of such rights.

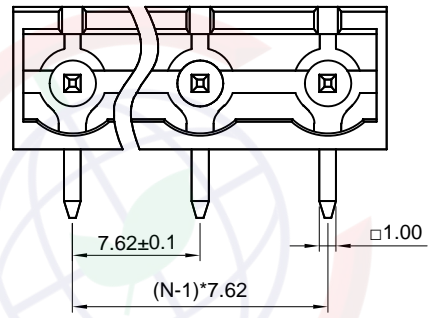
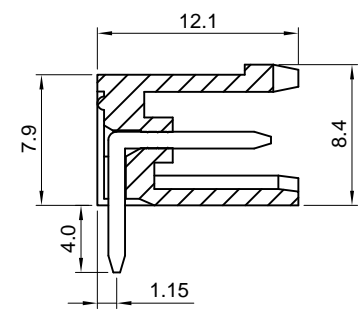
Dept	Qty
DC	1
ED	1
IE	1
ISO	1
PD	1
R&D	1
SD	1
QA	1
QC	1
QE	1

A  
B  
C  
D  
E  
F  
G  
H

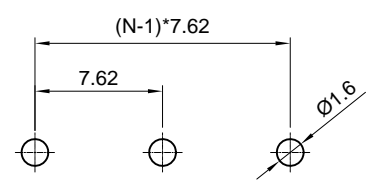
REV.	DESCRIPTION	DRAWN	CHECKED	APPROVED
A	NEW RELEASE	JLZ 06/18/22'		

**NOTES:**  
 Standard UL  
 Rated voltage:300V  
 Rated current:15A  
 Temp.Range:-40°C~+105°C  
 Pitch:7.62mm  
 Poles:2~24P  
**Materials:**  
 Contact: Copper Alloy,Tin plated.  
 Insulator: Nylon.  
**Product Number Code:**

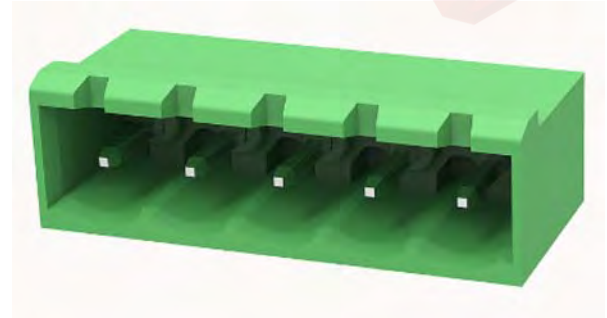
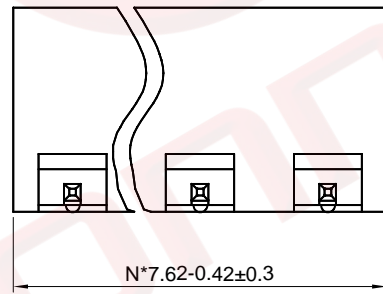
DS1159-09 - X X X  
 Contact plating  
 6: Tin  
 Housing color  
 G:Green .....  
 No.of contacts  
 2-24



N=No.of contacts



Recommend PCB layout  
(Tolerance:±0.05)



(Series Image-Reference Only)

GENERAL TOLERANCE		ANGLE TOLERANCE		PROJECTION		TITLE	7.62mm Pluggable Terminal Block
X.	±0.60	X.	±5°	UNITS	mm	R/A Type	
.X	±0.38	.X	±3°	SHEET SIZE	A4	SERIES	DS1159-09 SERIES
.XX	±0.25	.XX	±2°	<b>晨翔电子有限公司</b> <b>CONNFLY ELECTRONIC CO. LTD</b>			
DRAWING TYPE		CUSTOMER					
SCALE	1:1	SHEET	1 OF 1				
DRAWING NO.		C-DS1159-09-XXX-A					