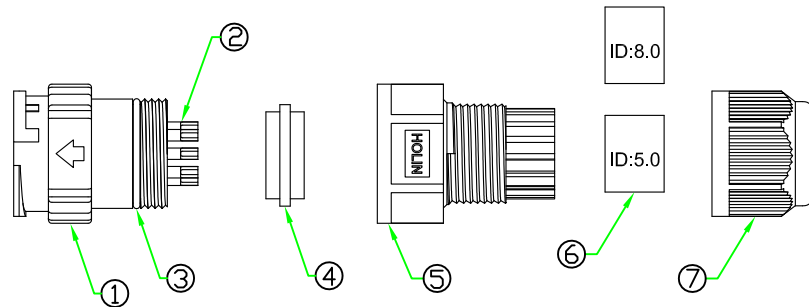
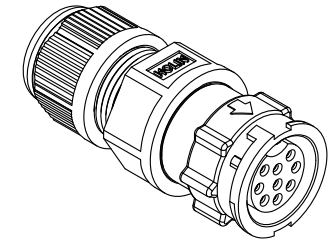
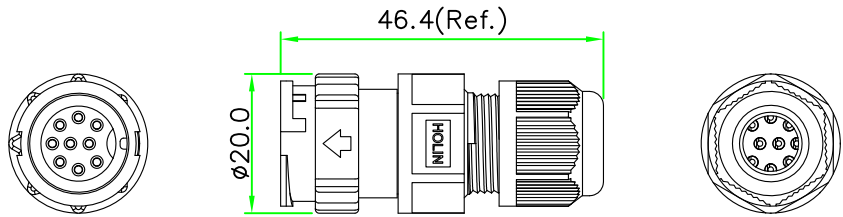


RoHS
IP66~68

REV.	DESCRIPTION	DATE
A	ISSUE	Jun/09/2015

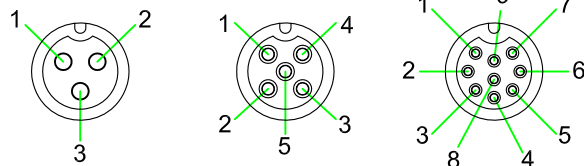


NOTES:

- ELECTRICAL CHARACTERISTICS:**
CURRENT RATING: 5A / 10A / 20A
CONNECTOR TEMPERATURE RANGE: -20°C TO +80°C
DIELECTRIC WITHSTANDING VOLTAGE:
500V AC FOR ONE MINUTE
- HOW TO ORDER: CCx-L3xxSA**

- 03 - 3 PIN
- 05 - 5 PIN
- 09 - 9 PIN

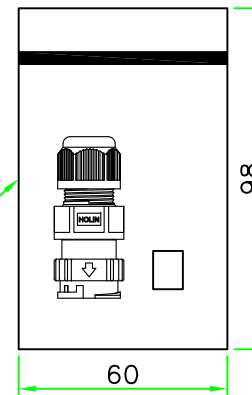
- G - CURRENT RATING 20A
- P - CURRENT RATING 10A
- D - CURRENT RATING 5A



CCG-L303SA CCP-L305SA CCD-L309SA

PIN ASSIGNMENT FRONT VIEW(前視圖)

#2 Zipper PE Bag



7	CLAMP NUT	NYLON+GF.	BLACK	1	
6	TUBE	Rubber (ID= 5.0 & 8.0mm)	BLACK	2	
5	HOOD	NYLON.	BLACK	1	
4	GASKET	EPDM.	BLACK	1	
3	O-RING	NBR.	BLACK	1	
2	CONTACT	Brass, 6 u" Gold Plated. Female Contact.		N	
1	CONNECTOR	C Size Male Connector Insert. NYLON+GF.	BLACK	1	
No.	PART NAME	DESCRIPTION	COLOR	Q'TY	REMARKS

HOLIN® HTP ASIA TECHNOLOGY CO., LTD. 禾凌科技股份有限公司					
		UNIT: mm	TITLE : Circular C Size Lock Type Male Connector Female Pin Field Installable Plug		
SCALE	1:1	P/N: CCx-L3xxSA		DR.	Patty
UNLESS OTHERWISE SPECIFIED TOLERANCES:		.x ± 0.5 .xx ± 0.25 .xxx ± 0.1		CH.	ERIC
REV.	SHEET	DWG.NO:	AP.		
A	1/1	CCx-L3xxSA			