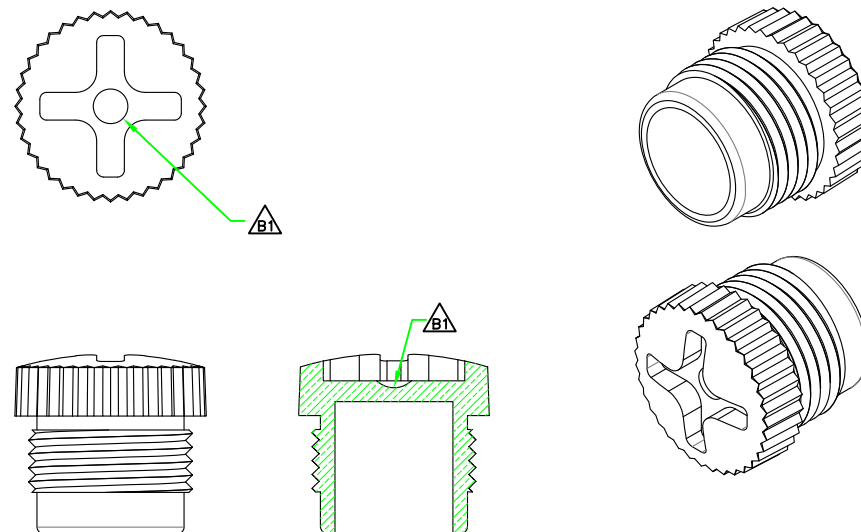
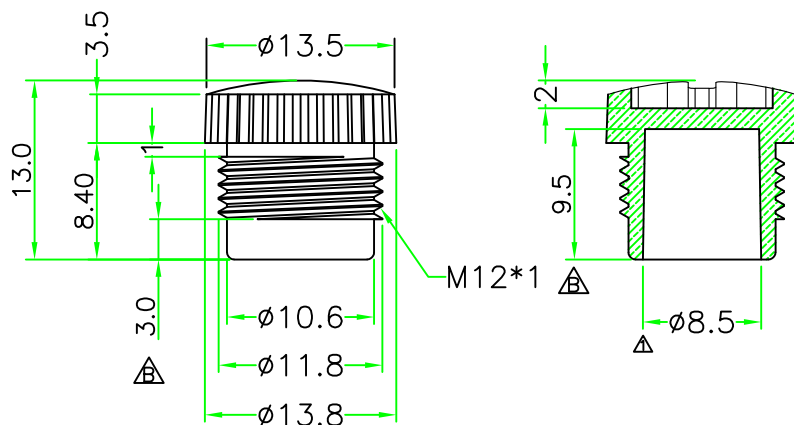
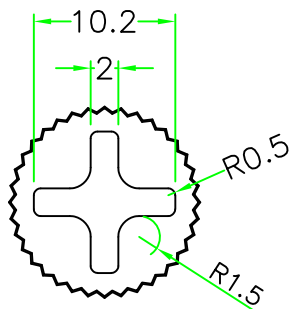


RoHS

REV.	DESCRIPTION	DATE
A	ISSUE	03/01/2005
A1	Change part No.	Jun/25/2008
B	Change length.	Aug/20/2009
B1	Add new tooling appearance.	Jun/20/2020
Note1	Correct dimension indication.	Jul/28/2020



HOLIN® HTP ASIA TECHNOLOGY CO., LTD.
禾凌科技股份有限公司

	UNIT: mm	TITLE :	Waterproof Cap for M12 Female Connector
SCALE	2:1	P/N:	12P-WCAP-FA
UNLESS OTHERWISE SPECIFIED TOLERANCES: X ± 0.5 XX ± 0.25 XXX ± 0.1 ANGLE ± 1°		DWG.NO:	12P-WCAP-FA
REV.	SHEET	DR.	JAMES
B1	1/1	CH.	ERIC
		AP.	

No.	PART NAME	DESCRIPTION	COLOR	Q'TY	REMARKS
1	CAP	NYLON+GF	BLACK	1	