

REV.	DESCRIPTION	DRAWN	CHECKED	APPROVED
A	NEW RELEASE	HP 07/12/05		

TECHNICAL DATA

1. MATERIAL

- . Pin(Outer Sleeve): Brass,Machined,CuZn38Pb2
- . Clip(Contact 4/6 Finger): Copper alloy,Heat Treated

2. ELECTRICAL

- . Current Rating: 3A Per Pin max.
- . Contact Resistance: $\leq 20\text{m}\Omega/\text{Contact}$.

3. MECHANICAL

- . *Average Insertion Force With Steel Pin of $\phi 0.43\text{mm}/0.017''$:
4-Finger $\leq 270\text{g}$,6-Finger $\leq 120\text{g}$
- . *Average Withdrawal Force With Steel Pin of $\phi 0.50\text{mm}/0.020''$:
4-Finger $\geq 25\text{g}$,6-Finger $\geq 15\text{g}$
- . *Mechanical Life: min 200 Cycles

4. PRODUCT NUMBER CODE:

DS1005-11 - X X X

CLIP PLATED

- 6: Full Tin
- 8: Full Gold flash
- C: Full Gold 3u"
- A: Full Gold 10u"
- B: Full Gold 15u"

PIN PLATED

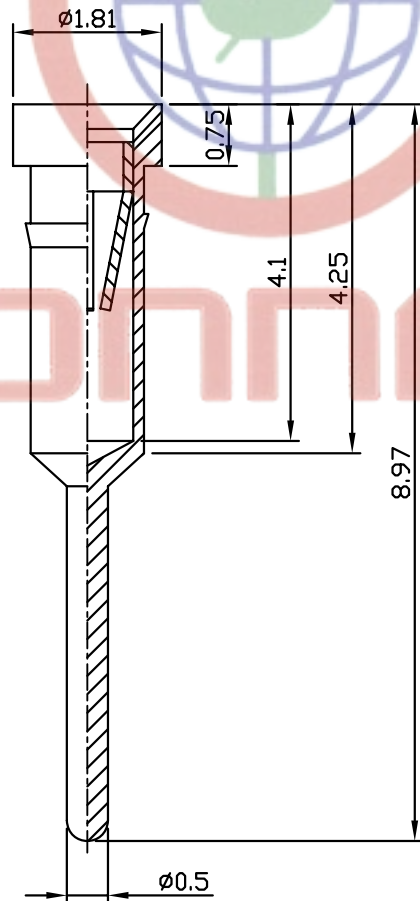
- 6: Full Tin
- 8: Full Gold flash
- C: Full Gold 3u"
- A: Full Gold 10u"
- B: Full Gold 15u"

CLIPS

- 3: 3Finger
- 4: 4Finger
- 6: 6Finger

SERIES NO

DS1005-11



Tel:86-574-63508787
 Fax:86-574-63511817
 E-mail:sale@zjconnfly.com.cn
 Http://www.connfly.com

GENERAL TOLERANCE		ANGLE TOLERANCE		PROJECTION		TITLE	SOCKET TERMINALS 8.97mm	
X.	± 0.20	X.	$\pm 2^\circ$	UNITS	mm			
.X	± 0.10	.X	$\pm 1^\circ$	SHEET SIZE	A4	SERIES	DS1005-11	
.XX	± 0.05	.XX	$\pm 0.5^\circ$					
DRAWING TYPE		CUSTOMER			晨翔电子有限公司 CONNFLY CONNFLY ELECTRONIC CO. LTD			
SCALE		1:1	SHEET 1 OF 1					
DRAWING NO.		C-DS1005-11-XXX						