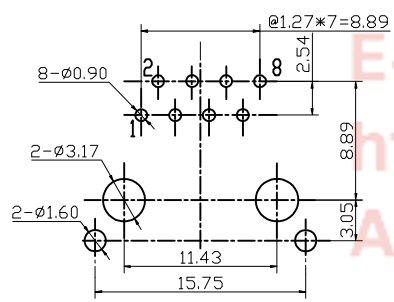
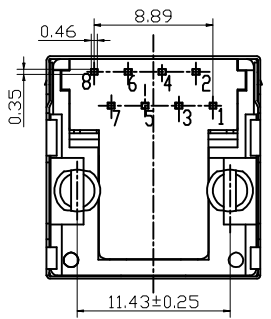
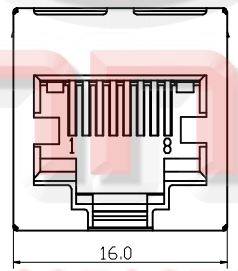
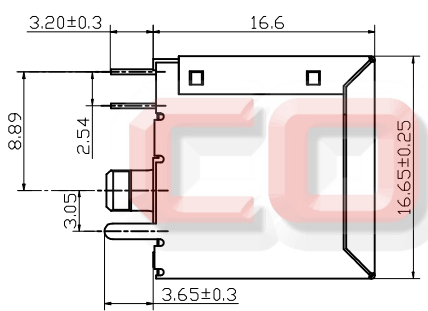
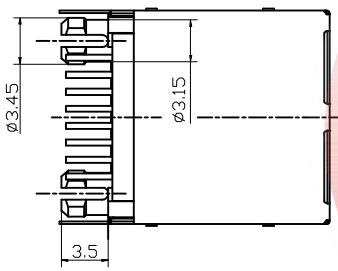


REV.	DESCRIPTION	DRAWN	CHECKED	APPROVED
A	NEW RELEASE	JLZ 06/08/16'		

NOTES:

- ELECTRICAL CHARACTERISTICS:
  - CONTACT RESISTANCE: 30mΩ Max.
  - DIELECTRIC WITHSTANDING VOLTAGE: 500V AC(rms) FOR 1 MINUTE.
  - INSULATION RESISTANCE: 1000MΩ Min.
  - VOLTAGE RATING: 125V.
  - CURRENT RATING: 1.5A.
- ENVIRONMENT CHARACTERISTICS:
  - TEMPERATURE: -40°C~+85°C.
- MATERIALS
  - CONTACT MATERIAL: COPPER ALLOY.
  - CONTACT PLATING: SELECTIVE GOLD FLASH.
  - INSULATOR MATERIALS: PBT BLACK.
- PRODUCT NUMBER CODE: DS1134-07-X X X X X

- Housing Materials  
P: PBT
- Contact Plating  
0: Selective Gold Flash  
5: Selective 15u" gold  
3: Selective 30u" gold
- Housing Color  
B: Black
- No.Of Contacts  
8: 8p8c
- Connector Type  
S: Socket



PCB LAYOUT THICKNESS=1.6mm

Tel:86-574-63508787

Fax:86-574-63510817

E-mail:sale@connfly.com

http://www.connfly.com

Add:East Industry Zone KuangYan

Town Cixi Ningbo China

P.C:3153

GENERAL TOLERANCE		ANGLE TOLERANCE		PROJECTION	TITLE
X.	±0.60	X.	±5°		PCB Jack 8 Positions W/ Shell 3.05mm V/T Type
.X	±0.38	.X	±3°	UNITS	mm
.XX	±0.25	.XX	±2°	SHEET SIZE	A4
DRAWING TYPE/CUSTOMER				SERIES	DS1134-07 SERIES
SCALE		1:1	SHEET	1 OF 1	
DRAWING NO.		C-DS1134-07-XXXXX-A			

晨翔电子有限公司  
CONNFLY CONNFLY ELECTRONIC CO. LTD