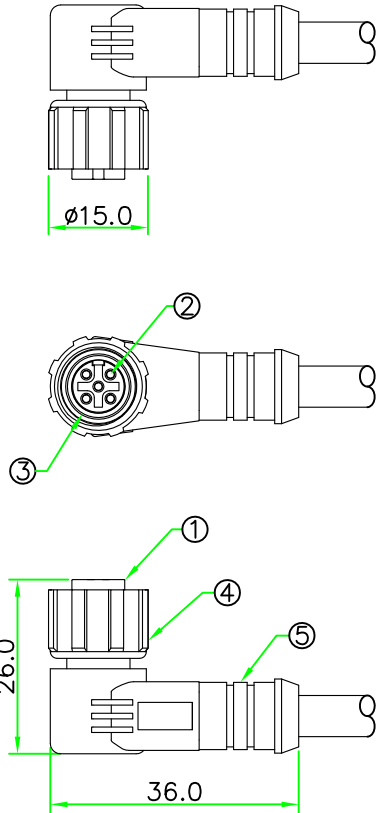
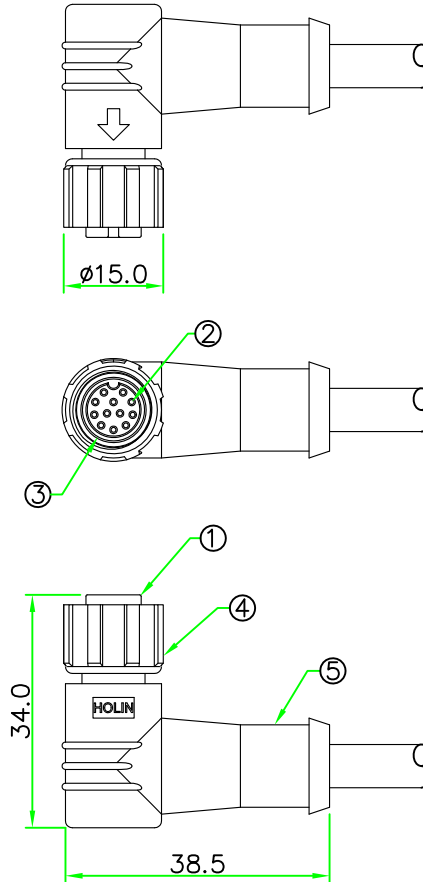


RoHS
IP66~68

2~5PIN



6~12PIN



REV.	DESCRIPTION	DATE
A	ISSUE	May/11/2015

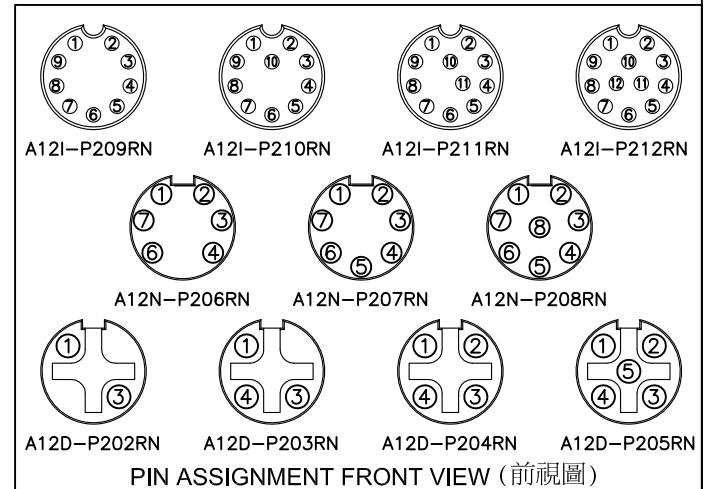
NOTES:

- ELECTRICAL CHARACTERISTICS:
CURRENT RATING: 1.5A / 2A / 4A
TEMPERATURE RANGE: -20°C TO +80°C
DIELECTRIC WITHSTANDING VOLTAGE:
500V AC FOR ONE MINUTE

2. HOW TO ORDER: A12x-P2xxRN

- 02 - 2 PIN
- 03 - 3 PIN
- 04 - 4 PIN
- 05 - 5 PIN
- 06 - 6 PIN
- 07 - 7 PIN
- 08 - 8 PIN
- 09 - 9 PIN
- 10 - 10PIN
- 11 - 11PIN
- 12 - 12PIN

- I - CURRENT RATING 1.5A
- N - CURRENT RATING 2A
- D - CURRENT RATING 4A



HOLIN® HTP ASIA TECHNOLOGY CO., LTD.
禾凌科技股份有限公司

5	OVERMOLDED	PVC or PU.	BLACK	1	
4	RING NUT	NYLON+GF	BLACK	1	
3	O-RING	VITON.	BLACK	1	
2	CONTACT	BRASS, 6 u" Gold Plated. Female Contact.		N	
1	CONNECTOR	M12 A-Coding Female Connector Insert. NYLON+GF.	BLACK	1	
No.	PART NAME	DESCRIPTION	COLOR	Q'TY	REMARKS

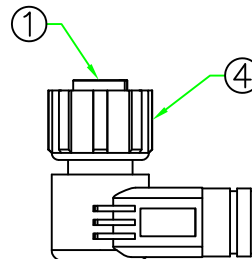
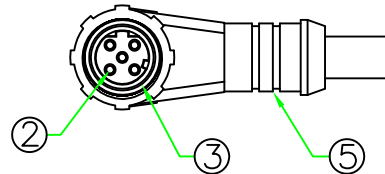
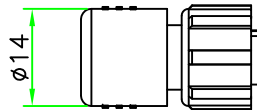
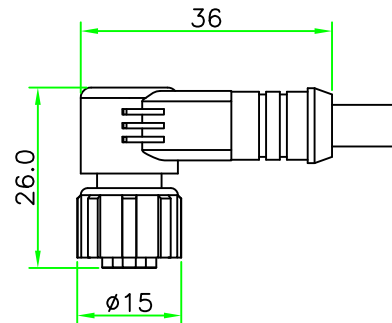
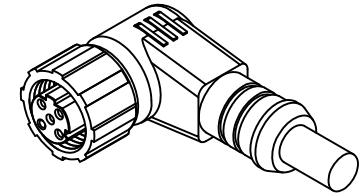
	UNIT: mm	TITLE	M12 A-Coding Female Connector All Pastic R/A Molded Cable
SCALE	1:1	P/N:	A12x-P2xxRN
UNLESS OTHERWISE SPECIFIED TOLERANCES: x ±0.5 xx ±0.25 xxx ±0.1 ANGLE ± 1°		DR.	Patty
REV.	A	CH.	ERIC
SHEET	1/1	DWG.NO:	A12x-P2xxRN
		AP.	

RoHS

IP66-68

REV.	DESCRIPTION	DATE
A	ISSUE	Nov/18/2015

Ref.



NOTES:

1. ELECTRICAL CHARACTERISTICS:

CURRENT RATING: 4A

TEMPERATURE RANGE: -20°C TO +80°C

DIELECTRIC WITHSTANDING VOLTAGE:

500V AC FOR ONE MINUTE

2. HOW TO ORDER: D12D-P2xxRN

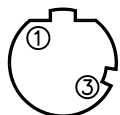
02 - 2 PIN

03 - 3 PIN

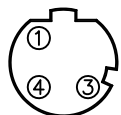
04 - 4 PIN

05 - 5 PIN

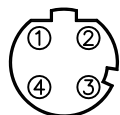
*Cable specification and length can be customized.



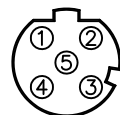
D12D-P202RN



D12D-P203RN



D12D-P204RN



D12D-P205RN

Pin Assignment Front View (前視圖)

5	OVERMOLD	PU or PVC.	BLACK		
4	RING NUT	NYLON+GF.	BLACK	1	
3	O-RING	VITON	BLACK	1	
2	CONTACT	BRASS, 6u" Gold Plated. Female Pin.		N	
1	CONNECTOR	M12 D-Coding Female Connector Insert, NYLON+GF.	BLACK	1	
No.	PART NAME	DESCRIPTION	COLOR	Q'TY	REMARKS

HOLIN [®] HTP ASIA TECHNOLOGY CO., LTD. 禾凌科技股份有限公司					
	UNIT: mm	TITLE	M12 D-Coding Female Connector All Pastic R/A Molded Cable Ass'y		
SCALE	1:1	P/N:	D12D-P2xxRN		DR. Patty
UNLESS OTHERWISE SPECIFIED TOLERANCES: x ± 0.5 xx ± 0.25 xxx ± 0.1 ANGLE ± 1'		DWG.NO:	D12D-P2xxRN		CH. ERIC
REV.	SHEET			AP.	
A	1/1				