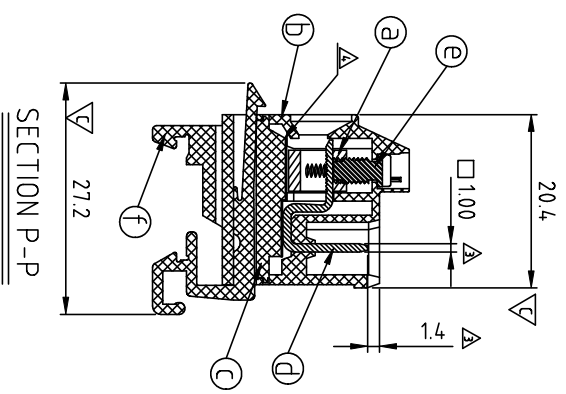


DIMENSION

Dim A	Nx5.08+1.52
Dim B	(N-1)x5.08
Dim C	(N-1)x5.08

N= NUMBER OF CONTACTS

Poles	Tolerance
2P-6P	±0.20
7P-12P	±0.25
13P-18P	±0.30
19P-24P	±0.40



SIGN	DATE	DESCRIPTION	APPROVER
△	2011.08.18	Torque(Lb-in) is changed from 5.2 (Lb-in) to 4.4(Lb-in)	Aaron
△	2011.08.18	Add is cULus	Aaron
△	2011.08.18	The dimension are added	Aaron
△	2012.02.07	Add the positioning rib on rail slot base to prevent install wrongly	Aaron

THIS IS CAD DRAWING, DO NOT REVISE MANUALLY!!!!

- Material:
- Item ③ Clamp: Brass Ni plated
  - Item ④ Terminal(housing): Thermoplastic (UL94V-0)
  - Item ⑤ Terminal(cover): Thermoplastic (UL94V-0)
  - Item ⑥ Contact pin : Brass, Tin plated.
  - Item ⑦ Terminal screw: Steel Zinc plating sold "-"-type M3
  - Item ⑧ Terminal(track): Thermoplastic (UL94V-0)

- Electrical: cULus
- Voltage rating:300V
  - Current rating: 12A
  - Wire range:
  - Solid wire(AWG):12-30
  - Stranded wire(AWG):12-30
  - Torque(Lb-in): 4.4
  - Screw:M3
  - Wire strip length: 6-7 mm
  - Withstanding Voltage: 16KV
  - Operating temperature: -40°C to +115°C

▲ Safety Approval: **RAI**

▲ Critical dimension: ▽

**V5 XX 51 X 2 XXXX G**

No. OF POLES: 02 2 CONTACTS  
03 3 CONTACTS  
...  
24 24 CONTACTS

Color: 0 Black (RAL9005)  
5 Green(RAL6018/T)  
6 Blue (RAL5015/A)  
8 Grey(RAL7035/D)  
C Green(RAL6018/U)

G: Pb<4.0000ppm  
0000: "@ " Logo (Standard)  
000A: "ANYTEK" Mark  
Any special item by customer request.  
please contact sales

# ANYTEK

## CUSTOMER COPY

ALL RIGHTS RESERVED. REPRODUCTION OR ISSUE TO THIRD PARTIES IN ANY FORM WHATSOEVER IS NOT PERMITTED WITHOUT WRITTEN AUTHORITY FROM THE PROPRIETOR. PROPERTY OF ANYTEK TECHNOLOGY CO., LTD

TITLE		V5 - 5.08 Series 2P-24P ( W/o Flange ) Dinnal holder A type	
PART NO.	V5xx51x2xxxxG	DWG NO.	8V50003
CHECKED	DESIGNED	DRAWN	CUST. NO.
Aaron	2012.02.07	Jacke	2009.12.29
APPROVED		Tolerance	
		UNIT: mm	X.X ±0.50
		SCALE: NONE	X.XX ±0.30
		REV: D	X.XX ±0.10
		SHEET: 01/01	X° ±1°