

SIGN	DATE	DESCRIPTION	APPROVER
△	2009.11.28	尺寸變更由2.57mm改為2.90mm	Jacke
△	2009.11.28	尺寸變更由4.4°改為6.0°	Jacke
△	2010.01.26	增加AG 標示 (新模)	Jacke
△	2011.07.20	尺寸變更, 由3.00mm變更為4.60mm	Aaron

THIS IS CAD DRAWING, DO NOT REVISE MANUALLY!!!

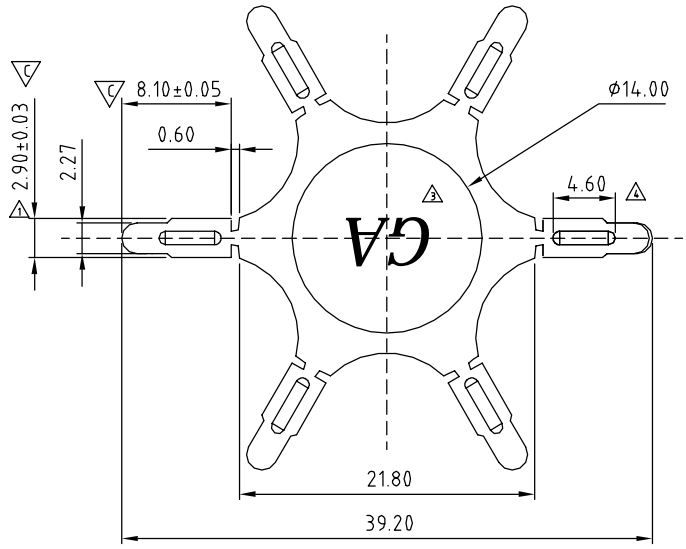
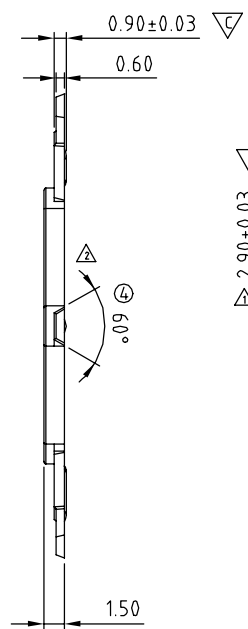
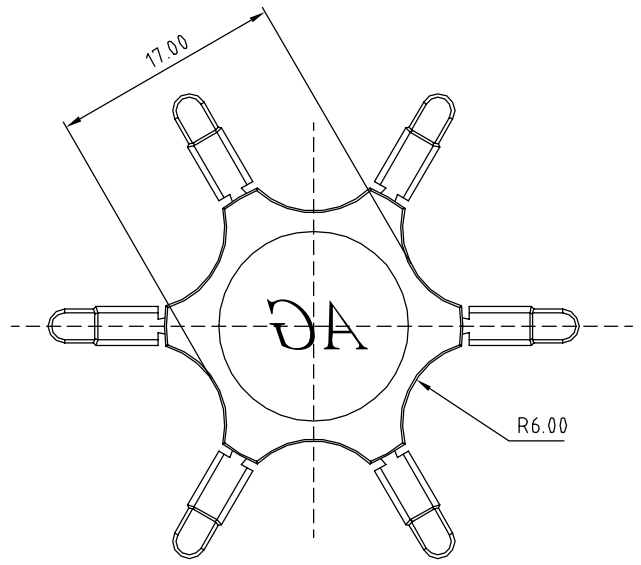
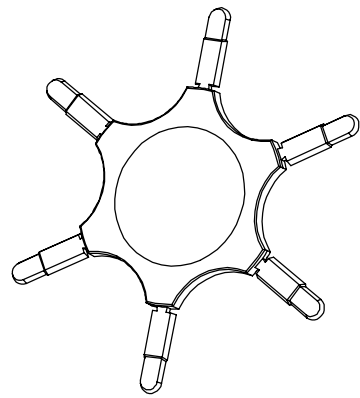
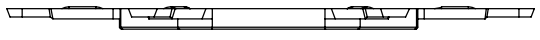
Material

● Insulator (housing): Thermoplastic (UL94V-0)

Pitch 3.5/3.81

	OQ	VK	VL	VO	VZ
AG	●	●	●	●	●

● Critical dimension: ▽



<b>ANYTEK</b>				<b>CUSTOMER COPY</b>				
ALL RIGHTS RESERVED. REPRODUCTION OR ISSUE TO THIRD PARTIES IN ANY FORM WHATEVER IS NOT PERMITTED WITHOUT WRITTEN AUTHORITY FROM THE PROPRIETOR. PROPERTY OF ANYTEK TECHNOLOGY CO., LTD								
TITLE	AG SERIES Key			DWG NO.	8AG0001			
PART NO.	AG0000200000G			CUST NO.				
APPROVED	CHECKED	DESIGNED	DRAWN					
		Aaron 2011.07.20	Jacke 2010.01.26					
				UNIT: mm	Tolerance			
				SCALE: NONE	X.	±0.50		
				SHEET: 01/01	REV.: E	X.X	±0.30	
						X.XX	±0.10	
						X°	±1°	