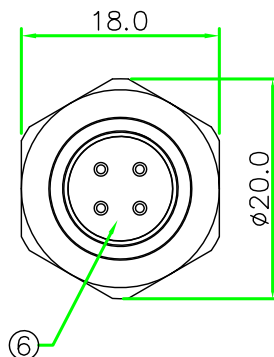
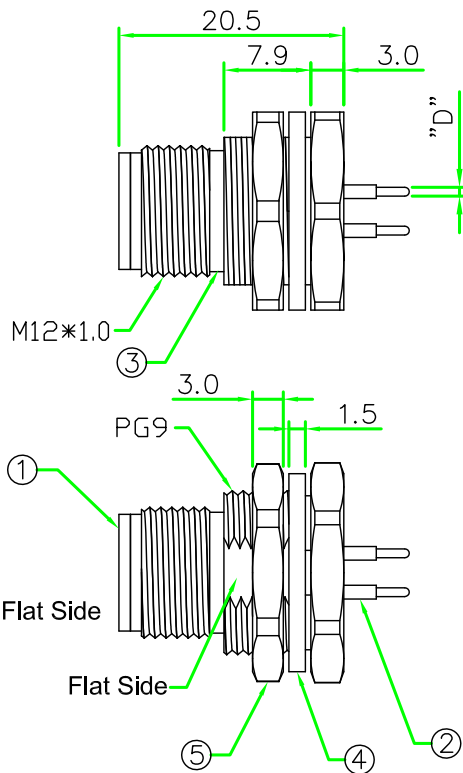


Recommended
Panel Cut-Out

RoHS

IP66~68

PIN	D
A12D	φ0.8
A12N	φ0.6
A12I	φ0.8



REV.	DESCRIPTION	DATE
A	ISSUE	Nov/11/1999
A1	Add Item	Apr/27/2015

Ref.

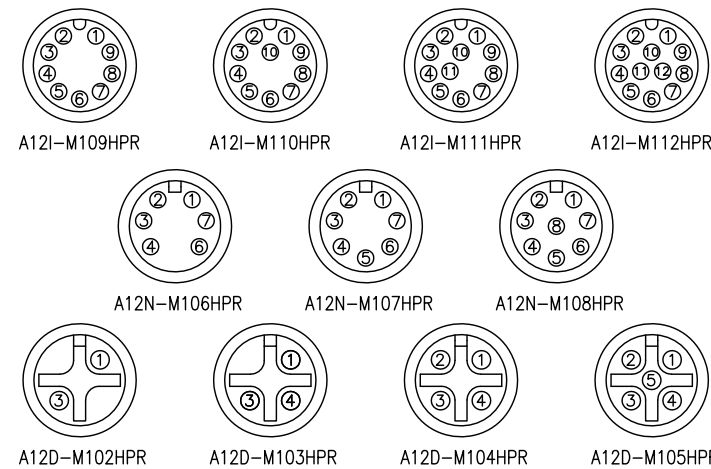
NOTES:

- ELECTRICAL CHARACTERISTICS:
CURRENT RATING: 1.5A / 2A / 4A
TEMPERATURE RANGE: -25°C TO +85°C
DIELECTRIC WITHSTANDING VOLTAGE:
500V AC FOR ONE MINUTE
- PANEL THICKNESS MAX. 3.0mm
- HOW TO ORDER: A12x-M1xxHPR

- 02 - 2 PIN
- 03 - 3 PIN
- 04 - 4 PIN
- 05 - 5 PIN
- 06 - 6 PIN
- 07 - 7 PIN
- 08 - 8 PIN
- 09 - 9 PIN
- 10 - 10PIN
- 11 - 11PIN
- 12 - 12PIN

- I - CURRENT RATING 1.5A
- N - CURRENT RATING 2A
- D - CURRENT RATING 4A

A1



PIN ASSIGNMENT FRONT VIEW

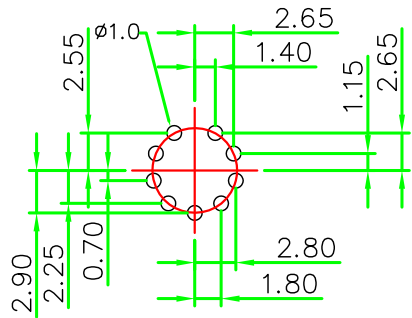
(前視圖)

HOLIN® HTP ASIA TECHNOLOGY CO., LTD.
禾凌科技股份有限公司

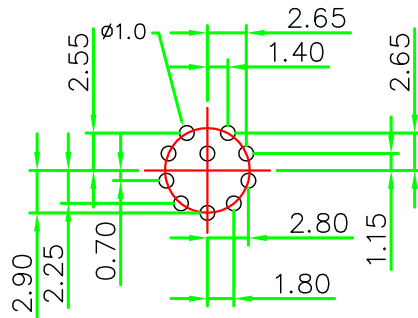
	UNIT: mm	TITLE M12 A-Coding Male Panel Connector Rear mount Hex Flange With PCB Pin	DR. Patty CH. ERIC
	SCALE 1.5:1		
UNLESS OTHERWISE SPECIFIED TOLERANCES: .x ± 0.25 .xx ± 0.1 .xxx ± 0.05 ANGLE ± 1° REV. SHEET		P/N: A12x-M1xxHPR	AP.
REV. A1	SHEET 1/2	DWG.NO: A12x-M1xxHPR	

No.	PART NAME	DESCRIPTION	COLOR	Q'TY	REMARKS
6	GLUE	EPOXY.	BLACK	1	
5	HEX NUT	BRASS, NICKEL PLATED.		1	
4	GASKET	RUBBER.	BLACK	1	
3	HOUSING	BRASS, NICKEL PLATED,		1	
2	CONTACT	Brass , 6 u" Gold Plated . Male Contact.		N	
1	CONNECTOR	M12 A-Coding Male Connector Insert.NYLON+GF.	BLACK	1	

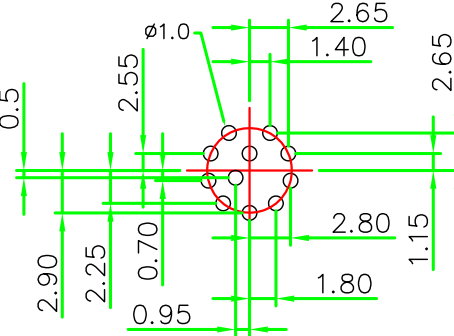
REV.	DESCRIPTION	DATE
A	ISSUE	Nov/11/1999
A1	Add Item	Apr/27/2015



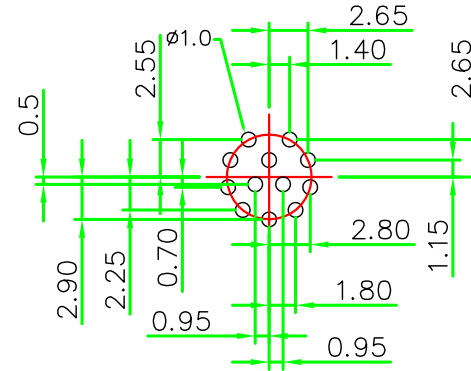
A12I-M109HPR



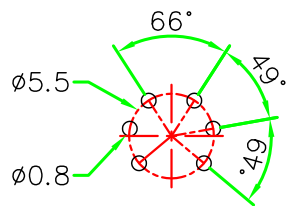
A12I-M110HPR



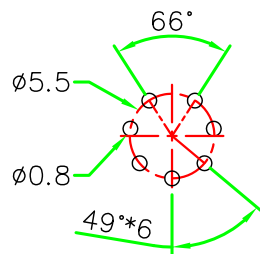
A12I-M111HPR



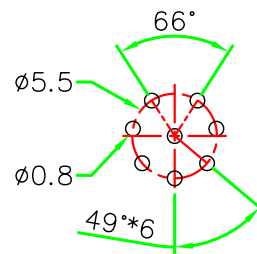
A12I-M112HPR



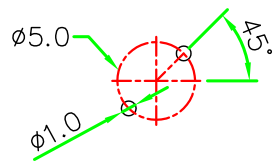
A12N-M106HPR



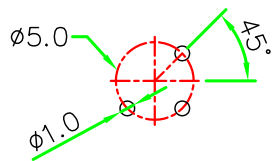
A12N-M107HPR



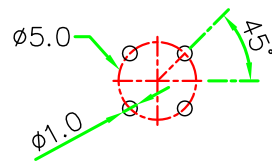
A12N-M108HPR



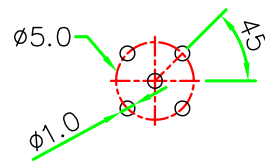
A12D-M102HPR



A12D-M103HPR



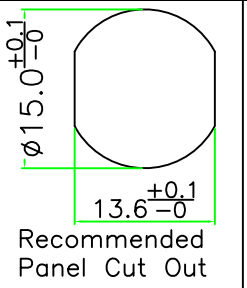
A12D-M104HPR



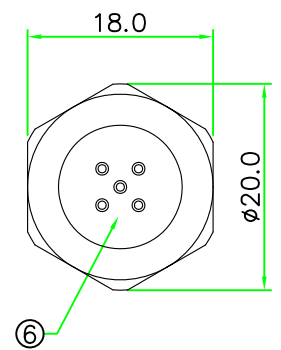
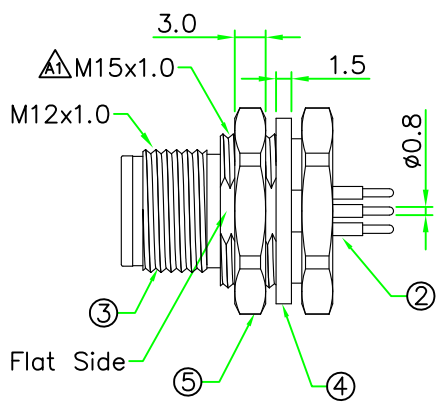
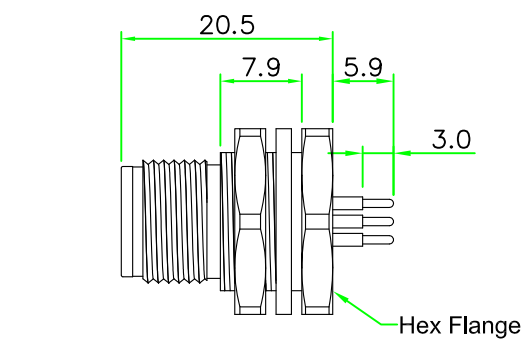
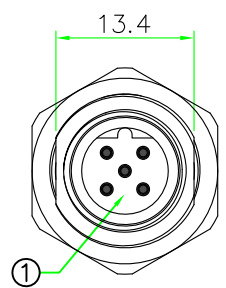
A12D-M105HPR

PCB LAYOUT

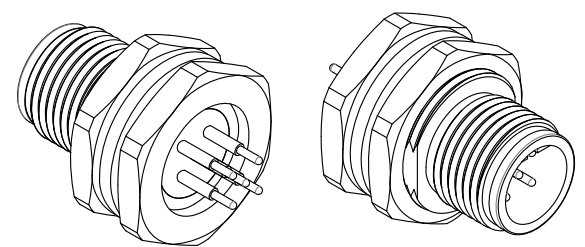
HOLIN® HTP ASIA TECHNOLOGY CO., LTD. 禾凌科技股份有限公司			
	UNIT: mm	TITLE : M12 A-Coding Male Panel Connector Rear mount Hex Flange With PCB Pin	
SCALE	2:1	P/N: A12x-M1xxHPR	DR. Patty
UNLESS OTHERWISE SPECIFIED TOLERANCES: .X ± 0.25 .XX ± 0.1 .XXX ± 0.05 ANGLE ± 1°			CH. ERIC
REV. A1	SHEET 2/2	DWG.NO: A12x-M1xxHPR	AP.



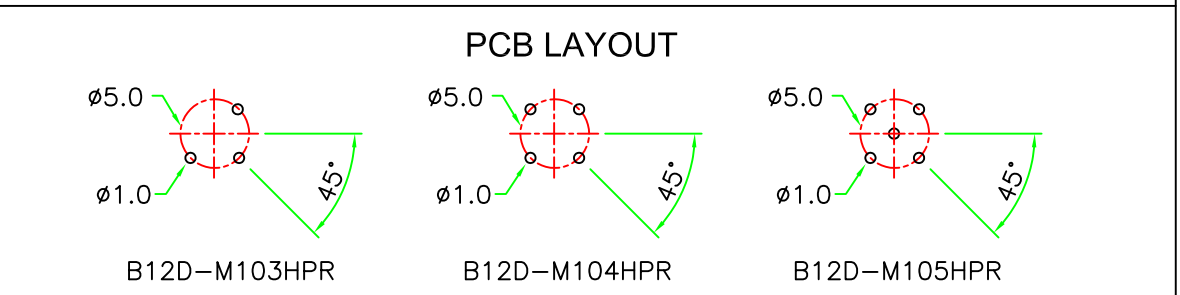
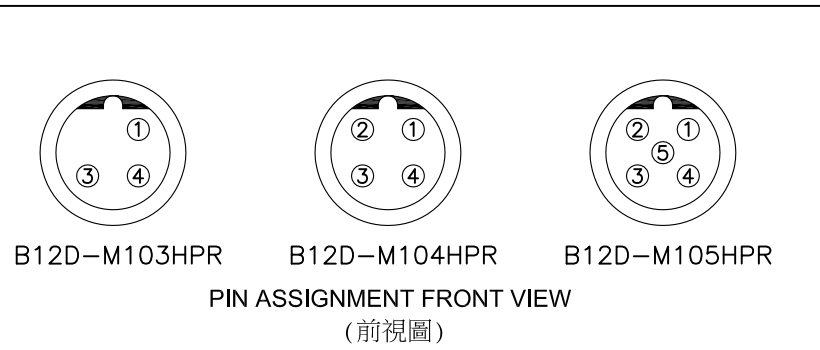
RoHS
IP66~68



REV.	DESCRIPTION	DATE
A	ISSUE	Apr/07/2015
A1	Correct Note.	Oct/09/2019

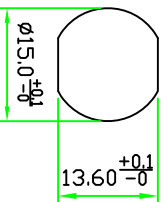


NOTES:
 1. ELECTRICAL CHARACTERISTICS:
 CURRENT RATING: 4A Δ
 TEMPERATURE RANGE: -25°C TO +85°C
 DIELECTRIC WITHSTANDING VOLTAGE:
 500V AC FOR ONE MINUTE
 2. HOW TO ORDER: B12D-M1xxHPR
 03 - 3 PINS
 04 - 4 PINS
 05 - 5 PINS



No.	PART NAME	DESCRIPTION	COLOR	Q'TY	REMARKS
6	GLUE	Epoxy.	BLACK		
5	HEX NUT	Brass, Nickel Plated.		1	
4	GASKET	EPDM.	BLACK	1	
3	HOUSING	Brass, Nickel Plated.		1	
2	CONTACT	Brass, 6 u" Gold Plated. Male Contact.		N	
1	CONNECTOR	M12 B-Coding Male Connector Insert. Nylon+GF.	BLACK	1	

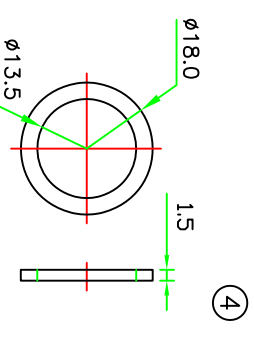
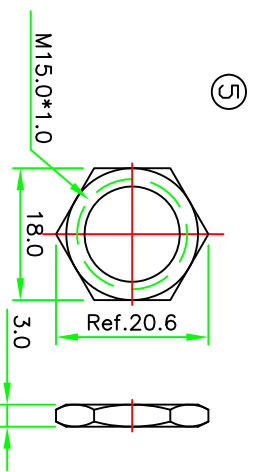
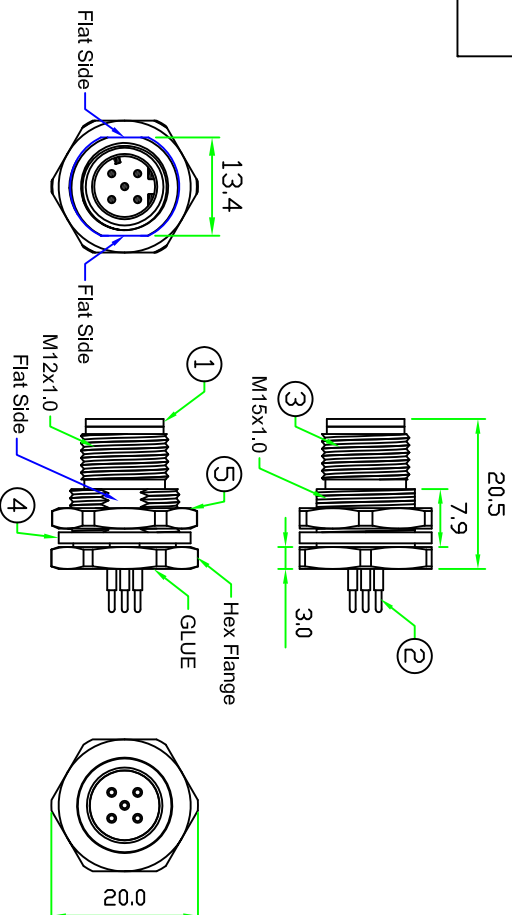
HOLIN® HTP ASIA TECHNOLOGY CO., LTD. 禾凌科技股份有限公司	
UNIT: mm SCALE 1.5:1	TITLE M12 B-Coding Male Panel Connector Rear Mount Hex Flange With PCB Pin
UNLESS OTHERWISE SPECIFIED TOLERANCES: .x ± 0.5 .xx ± 0.25 .xxx ± 0.1 ANGLE ± 1°	P/N: B12D-M1xxHPR
REV. A1 SHEET 1/1	DWG.NO: B12D-M1xxHPR
	DR. SIBYL CH. JAMES AP.



Recommended Panel Cut-Off

RoHS

IP67

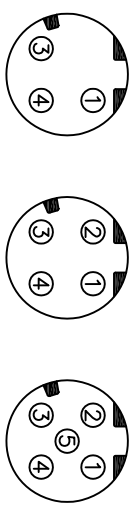


5	HEX NUT	BRASS, NICKEL PLATED.		1	
4	GASKET	RUBBER.	BLACK	1	
3	HOUSING	BRASS, NICKEL PLATED,		1	
2	CONNECTOR	Brass, 6 u" Gold plated . Male Contact.		N	
1	CONNECTOR	M12 D-Coding Male connector insert.	BLACK	1	
No.	PART NAME	DESCRIPTION			

REV.	DESCRIPTION	DATE
A	ISSUE	Jul/29/2008

- NOTES:
- ELECTRICAL CHARACTERISTICS:
 CURRENT RATING: 5A
 TEMPERATURE RANGE: -25°C TO +85°C
 DIELECTRIC WITHSTANDING VOLTAGE:
 500V AC FOR ONE MINUTE
 - HOW TO ORDER: D12X-M1XXHPR

- 03 - 3 PINS
- 04 - 4 PINS
- 05 - 5 PINS
- D - CURRENT RATING 5A



D12D-M103HPR D12D-M104HPR D12D-M105HPR
Pin Assignment Front View

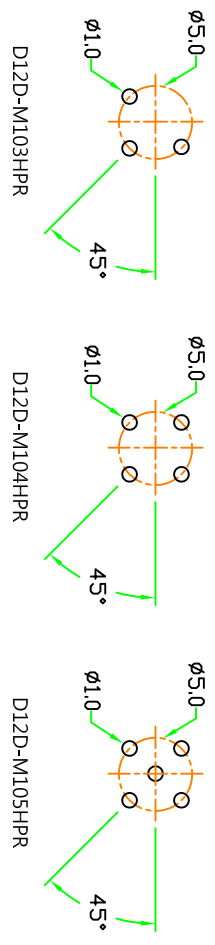
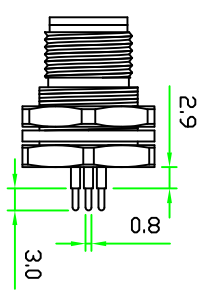
HOLIN 禾凌科技股份有限公司

TITLE : M12 D-Coding Male connector
 Rear mount Hex Flange PCB Pin

UNLESS OTHERWISE SPECIFIED TOLERANCES: XXX ± 0.05 ANGLE ± 1°X REV. SHEET	P/N: D12x-M1xxHPR	DR: Stanley CH: NJCJL
A	DWG.NO: D12x-M1xxHPR	AP:
SCALE 1:1	UNIT: mm	

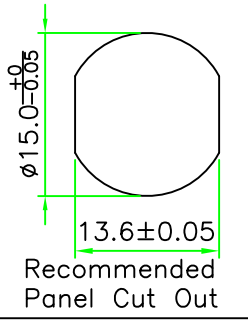
REV.	DESCRIPTION	DATE
A	ISSUE	Jul/29/2008

3, 4, 5 POLES

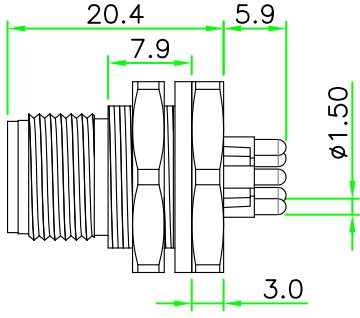


HOLIN 禾凌科技股份有限公司

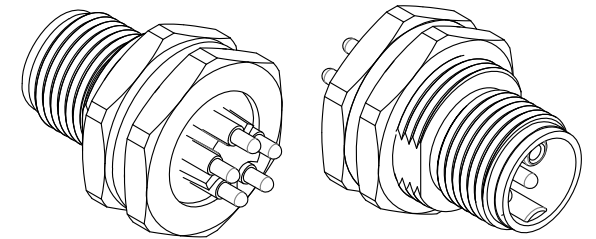
		UNIT: mm	TITLE : M12 D-Coding Male connector Rear mount Hex Flange PCB Pin
SCALE	1 : 1	P/N:	D12x-M1xxHPR
UNLESS OTHERWISE SPECIFIED TOLERANCES: X ±0.25 XX ± 0.1 XXX ± 0.05 ANGLE ± 1°X		DWG.NO:	D12x-M1xxHPR
REV.	A	SHEET	2/2
		DR: Stanley	CH: NTCY
		AP:	



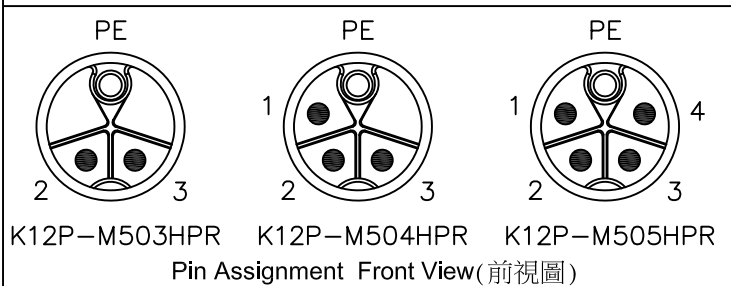
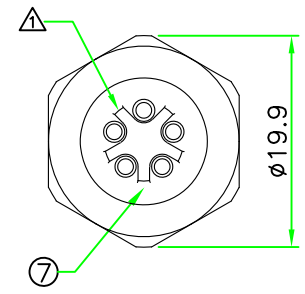
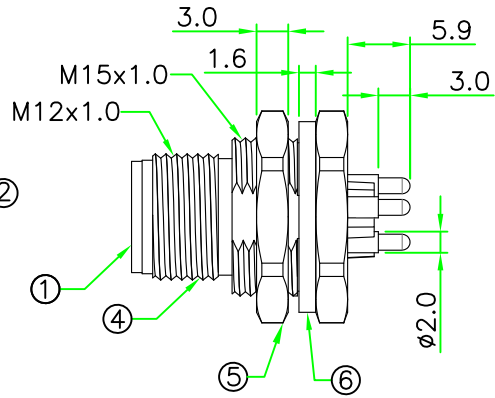
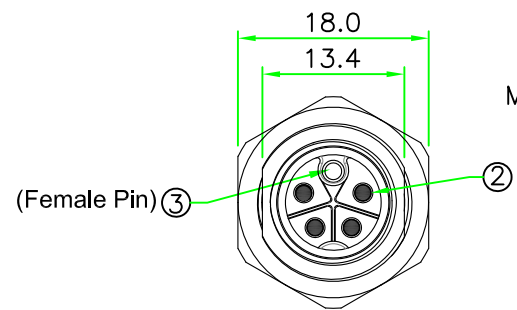
Note: 1. Correct Connector Insert. (May/20/2020)



REV.	DESCRIPTION	DATE
A	ISSUE	May/14/2020



RoHS
IP67



*PCB Layout Next Page.

- NOTES:
- ELECTRICAL CHARACTERISTICS:
CURRENT RATING: 12A
 - PANEL THICKNESS MAX. 3.0mm.
 - HOW TO ORDER: K12P-M5xxHPR

- 03 - 2 PIN+PE
- 04 - 3 PIN+PE
- 05 - 4 PIN+PE

7	GLUE	Epoxy.	BLACK		
6	GASKET	EPDM.	BLACK	1	
5	HEX NUT	BRASS, Nickel Plated.		1	
4	HOUSING	BRASS, Nickel Plated.		1	
3	CONTACT	BRASS, 6 u" Gold Plated. Female Contact.		1	
2	CONTACT	BRASS, 6 u" Gold Plated. Male Contact.		N	
1	CONNECTOR	M12 K-Coding Male Connector Insert. Nylon+GF.	BLACK	1	
No.	PART NAME	DESCRIPTION	COLOR	Q'TY	REMARKS

HOLIN® HTP ASIA TECHNOLOGY CO., LTD.
禾凌科技股份有限公司

UNIT: mm TITLE : M12 K-Coding Male Panel Connector Rear Mount Hex Flange With PCB Pin

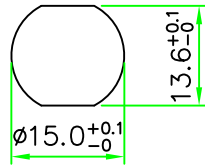
SCALE 1.5:1

UNLESS OTHERWISE SPECIFIED TOLERANCES:
x ±0.5 xx ±0.25
xxx ±0.1 ANGLE ± 1'

P/N: K12P-M5xxHPR DR. JAMES
CH. ERIC

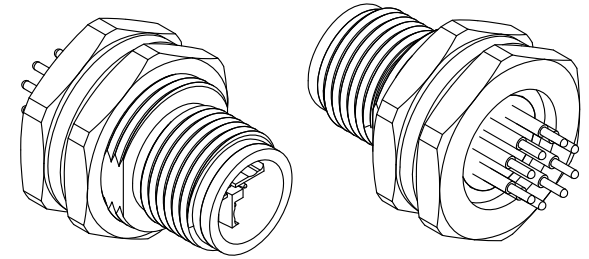
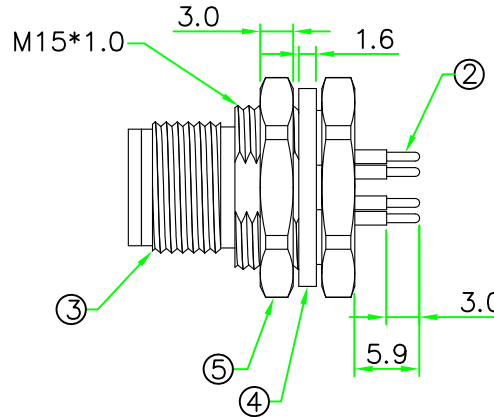
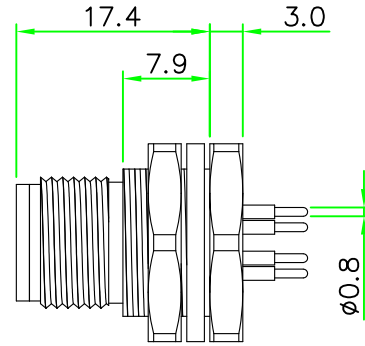
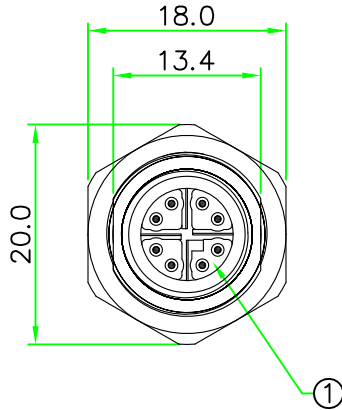
REV. A SHEET 1/1 DWG.NO: K12P-M5xxHPR AP.

REV.	DESCRIPTION	DATE
A	ISSUE	Nov/04/2014



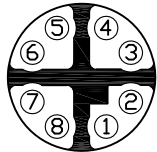
Recommended
Panel Cut-Out

RoHS
IP66~68

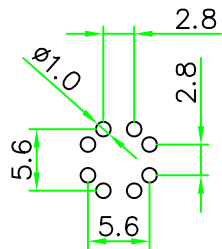


NOTES:

- ELECTRICAL CHARACTERISTICS:
CURRENT RATING: 0.5A
TEMPERATURE RANGE: -25°C TO +85°C
DIELECTRIC WITHSTANDING VOLTAGE:
500V AC FOR ONE MINUTE
- PANEL THICKNESS MAX. 3.0mm



PIN ASSIGNMENT
FRONT VIEW
(前視圖)



PCB LAYOUT

5	HEX NUT	Brass, Nickel Plated.		1	
4	GASKET	EPDM.	BLACK	1	
3	HOUSING	Brass, Nickel Plated.		1	
2	CONTACT	Brass , 6 u" Gold Plated . Male Contact.		8	
1	CONNECTOR	M12 X-Coding Male Connector Insert.NYLON+GF.	BLACK	1	
No.	PART NAME	DESCRIPTION	COLOR	Q'TY	REMARKS

HOLIN® HTP ASIA TECHNOLOGY CO., LTD. 禾凌科技股份有限公司		TITLE M12 X-Coding Male Panel Connector Rear mount Hex Flange With PCB Pin	
	UNIT: mm	P/N: X12I-M108HPR	
	SCALE 1.5:1	DR. Patty	
UNLESS OTHERWISE SPECIFIED TOLERANCES: .X ± 0.25 .XX ± 0.1 .XXX ± 0.05 ANGLE ± 1°		CH. ERIC	
REV. A	SHEET 1/1	DWC.NO: X12I-M108HPR	
		AP.	