


SIGN	DATE	DESCRIPTION	APPROVER
△	10/16'12	Update the drawing	Da cheng
△	01/26'15	Add the safety certification icon	Airy min

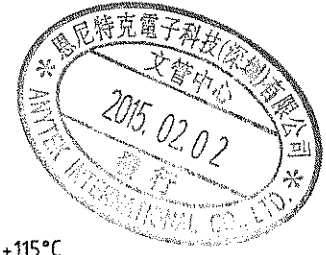
THIS IS CAD DRAWING, DO NOT REVISE MANUALLY!!!

Material:

- Item ① Insulator(Cover): Thermoplastic (UL94V-0)
- Item ② Insulator(housing): Thermoplastic (UL94V-0)
- Item ③ Spring clamp: Stainless steel
- △ ● Item ④ Terminal Body(contact pin): Brass.Bright Tin plated Over Nickel plated.

Electrical:

- Voltage rating: 300V
- Current rating: 8A
- Wire range:
- Solid wire(AWG): 14-28
- Stranded wire(AWG): 14-28
- Wire strip length: 5-6mm
- Withstanding Voltage: 1.6KV
- Operating temperature: -40°C to +115°C
- △ ● Soldering temperature: 260°C±5°C/5 Sec
- △ ● Safety Approval: 
- △ ● Critical dimension: ▽

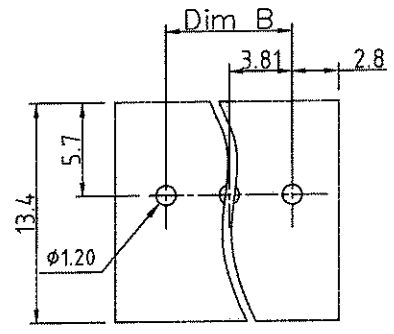
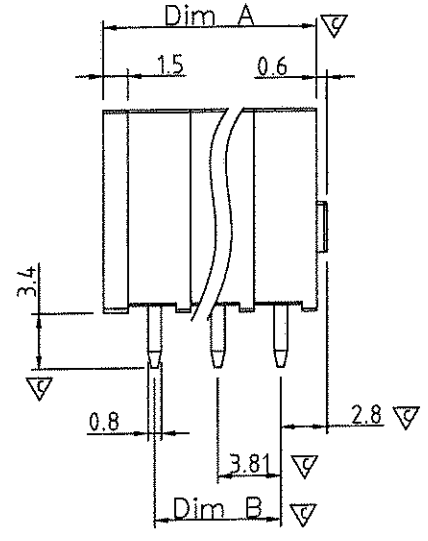
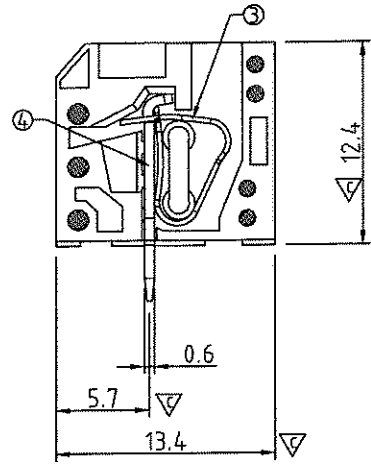
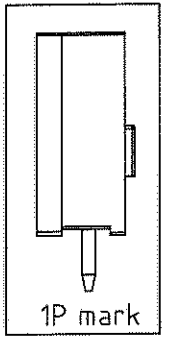
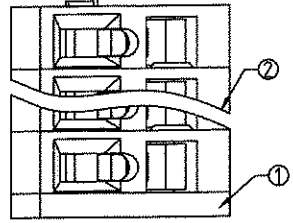


△ HM xx 3 0 x 0 xxxx G

- No. OF POLES _____
- 01: 1 POLES
- 24: 24 POLES
- COLOR _____
- 0 Black (RAL9005)
 - 2 Red (RAL3001/D)
 - 3 Orange(RAL2011/P)
 - 4 Yellow(RAL1018/A)
 - 5 Green(RAL6018/T)
 - 6 Blue (RAL5015/A)
 - 8 Grey(RAL7004/P)
 - 9 White(RAL1102)
 - C Multiple colors

RoHS compliant (lead<4%) △
In copper Alloy

0000 Standard @ Logo
000A Standard ANY Logo
Any special item by customer request, please contact sales department.



P.C.B LAYOUT
Top view

△ N=Number or contacts
△ Dim A=Nx3.81+1.5
△ Dim B=(N-1)x3.81

Poles	1P	2~6P	7~12P	13~18P	19~24P
Dim A	±0.15	±0.15	±0.20	±0.30	±0.40
Dim B		±0.15	±0.20	±0.25	±0.30

ANYTEK		CUSTOMER COPY	
ALL RIGHTS RESERVED. REPRODUCTION OR ISSUE TO THIRD PARTIES IN ANY FORM WHATSOEVER IS NOT PERMITTED WITHOUT WRITTEN AUTHORITY FROM THE PROPRIETOR, PROPERTY OF ANYTEK TECHNOLOGY CO., LTD			
TITLE	HM 3.81mm Series Dip solder Type		
PART NO.	HMxx30x0xxxxG	DWG NO.	8HM0201
APPROVED	CHECKED	DESIGNED	DRAWN
		Airy min 2015.01.26	Airy min 2015.01.26
SHEET: 01/01		UNIT: mm	Tolerance
		SCALE: NONE	X. ±0.50
		REV.: D	X.X ±0.30
			X.XX ±0.10
			X* ±1°