

Document Name	Document No.	Ver	Date	Page
LP603448-PCM-LD/ Specification	ZJQM-RD-SPC-0457	0.0	2012/06/27	1/8

EEMB CO., LTD

Polymer Li-ion Battery

Specification

Model: LP603448-PCM-LD/

Capacity: 1050mAh

Prepared	Checked	Approved
Mike Cai	Tina Cheng	Alex Lee

Customer:

Customer Approval (Customer confirmation) :

Customer Approval (Customer confirmation) :		
Signature	Checked	Approved

Address: Room ABCD,25/F, Block A, Fortune Plaza, NO.7060 Shennan Road Shenzhen, China

Postal code: 518040

Phone: 0086-755-83022275

FAX: 0086-755-83021966

<http://www.eemb.com>

Document Name	Document No.	Ver	Date	Page
LP603448-PCM-LD/ Specification	ZJQM-RD-SPC-0457	0.0	2012/06/27	2/8

Catalog

Chapter	Content	Page
0	Catalog.....	2
1	Scope.....	3
2	Product Basic Characteristics.....	3
2.1	Model.....	3
2.2	Capacity.....	3
2.3	Nominal Voltage.....	3
2.4	Weight.....	3
2.5	Internal Impedance.....	3
2.6	Dimension.....	3
2.7	Charge.....	3
2.8	Discharge.....	3
2.9	Operation Temperature.....	3
2.10	Storage Temperature.....	3
2.11	Storage Relative Humidity.....	3
3	Shape and Dimensions.....	3
4	Appearance.....	3
5	Specification.....	4
5.1	Electrical Characteristics.....	4
5.1.1	1C ₅ A rate discharge capacity.....	4
5.1.2	High temp. discharge capacity.....	4
5.1.3	Low temp. discharge capacity.....	4
5.1.4	Cycle Life.....	4
5.1.5	Capacity Retention.....	4
5.2	Acclimatization Characteristics.....	4
5.2.1	High Temp. and High Humidity	4
5.2.2	Vibration	4
5.2.3	Drop.....	4
5.3	Safety Characteristics.....	5
5.3.1	Overcharge.....	5
5.3.2	Short-Circuit.....	5
5.3.3	Heating.....	5
6	Spec of PCM.....	5-6
7	Battery Pack's dimension	6
8	Battery Pack's voltage and capacity.....	6
9	Matters needing attention.....	7-8

Document Name	Document No.	Ver	Date	Page
LP603448-PCM-LD/ Specification	ZJQM-RD-SPC-0457	0.0	2012/06/27	3/8

1. Scope

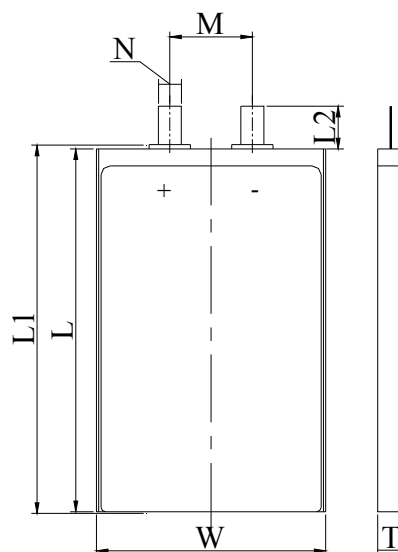
This product specification defines the requirements of the rechargeable polymer lithium-ion battery supplied to the customer by EEMB Co., Ltd..

2. Product Basic Characteristics

No.	Item	Characteristics	Remark	
2.1	Model	LP603448		
2.2	Capacity	Nominal Capacity	1050 mAh	0.2C ₅ A
		Minimum	1000 mAh	0.2C ₅ A
2.3	Nominal Voltage	3.7 V		
2.4	Weight	Approx. 21 g		
2.5	Internal Impedance	≤ 100 mΩ	AC 1KHz	
2.6	Dimension	Length	≤ 49 mm	
		Width	≤ 34.5 mm	
		Thickness	≤ 6.3 mm	
2.7	Charge	Maximum Current	1050 mA	1.0C ₅ A (CC&CV)
		Limited Voltage	4.200 ± 0.020 V	
		End-of Current	21 mA	
2.8	Discharge	Maximum Current	2100 mA	2.0C ₅ A
		End Voltage	2.75 ± 0.005 V	
2.9	Operation Temperature	Charge	0 ~ 45 °C	
		Discharge	-20 ~ +60 °C	
2.10	Storage Temperature	1 month	-20 ~ +60 °C	
		3 month	-20 ~ +45 °C	
		12 month	-20 ~ +25 °C	
2.11	Storage Relative Humidity	65±20 %		

3. Shape and Dimensions (Unit: mm)

Item	Specification
T	Max 6.3
W	Max 34.5
L	Max 49
L1	Max 50
L2	10±1
M	20±1
N	3±0.5



Document Name	Document No.	Ver	Date	Page
LP603448-PCM-LD/ Specification	ZJQM-RD-SPC-0457	0.0	2012/06/27	4/8

4. Appearance

It shall be free from any defects such as remarkable scratches, breaks, cracks, discoloration, leakage, or middle deformation.

5. Specification

5.1 Electrical Characteristics

No.	Item	Criteria	Test Instructions
5.1.1	1C ₅ A rate discharge capacity	Discharge Time ≥ 57min	Full charge at 20 ± 5°C, rest for 30 min, then discharge at the same temperature with 1.0C ₅ A to 2.75V.
5.1.2	High temp. discharge capacity	Discharge Time ≥ 54min	Full charge at 20 ± 5°C, store at 55 ± 2°C for 2h, then discharge at the same temperature with 1.0C ₅ A to 2.75V.
5.1.3	Low temp. discharge capacity	Discharge Time ≥ 4.25h	Full charge at 20 ± 5°C, store at -10°C ± 2°C for 16h~24h, then discharge at the same temperature with 0.2C ₅ A to 3.0V
5.1.4	Cycle Life	≥ 300Cycles	After full charge, rest for 10 min, discharge at constant current of 1.0C ₅ A to 2.75V. Batteries are full charge after 10 minutes. Repeat above steps till retained capacity is 80%
5.1.5	Capacity Retention	Discharge Time ≥ 4.5 h	After full charge, store at 20 ± 5°C for 28 days. Then discharge with 0.2C ₅ A to 2.75V

5.2 Acclimatization Characteristics

No.	Item	Criteria	Test Instructions
5.2.1	High Temp. and High Humidity	No deformation, no rust, no fire or explosion; Discharge time ≥ 36min	After full charge, store at 40°C ± 2°C (90%~95%RH) for 48h. After test, place at 20°C ± 5°C for 2h and then discharge with 1C ₅ A to end-voltage
5.2.2	Vibration	No damnification, leakage, no fire or explosion; Battery Voltage ≥ 3.6V	Batteries are vibrated 30 min in three mutually perpendicular directions with amplitude of 0.38mm (10~30Hz) or 0.19mm (30~55Hz) and the scanning rate of 1oct per min
5.2.3	Drop	No leakage, no fire or explosion; Discharge Time ≥ 51 min	Batteries are dropped onto a hard board with the thickness of 18~20mm from 1meter

5.3 Safety Characteristics

No.	Item	Criteria	Test Instructions
5.3.1	Overcharge	No fire or explosion	Charged the cells at 3C ₅ A current 20±5°C with a voltage limit of 4.8V and Current close to 0 A
5.3.2	Short-Circuit	No fire or explosion; The maximum Temperature: 150°C	Batteries are short-circuited by connecting the positive and negative terminals for 1h with a resistance load of 0.1 Ω
5.3.3	Heating	No fire or explosion	Cell is heated in a circulating air oven at a rate of (5±2) °C per minute to 130°C, and then placed for 30 minutes at 130°C

Note: Unless otherwise specified, all tests stated in this specification are conducted at the following conditions: Temp. : 20±5°C; Relative Humidity: 25%~85%.

6. Specification of PCM

The specification shall be applied to Lithium polymer battery protection circuit module manufactured by EEMB CO., LTD.

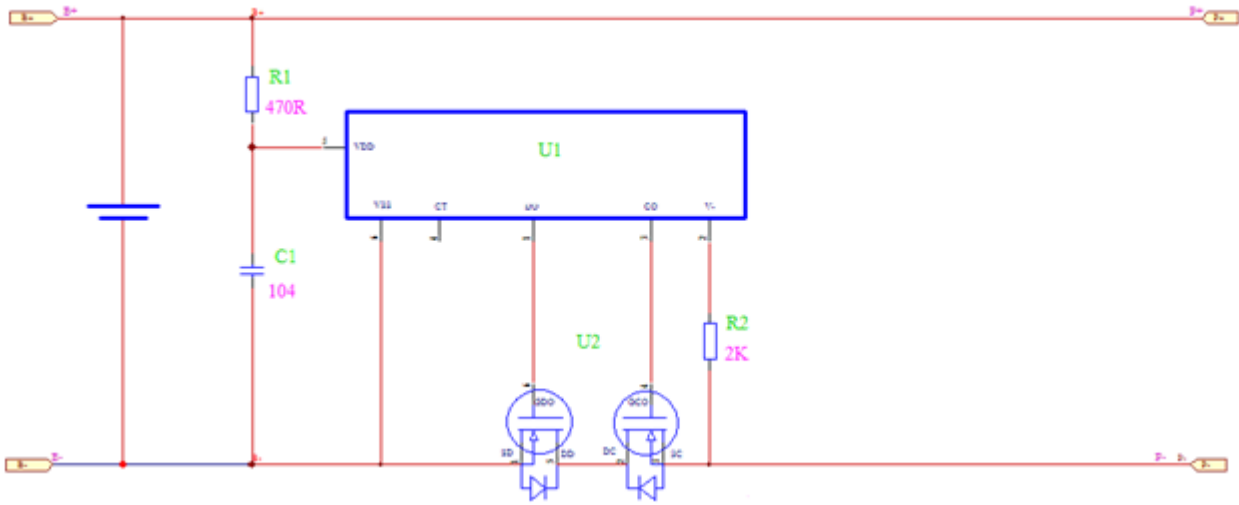
6.1.0 Basic Specification(T=25°C)

Item	Symbol	Content	Criterion
Over charge Protection	V _{DET1}	Over charge detection voltage	4.28±0.05V
	tV _{DET1}	Over charge detection delay time	0.96S-1.40S
	V _{REL1}	Over charge release voltage	4.175±0.025V
Over discharge protection	V _{DET2}	Over discharge detection voltage	3.0±0.10V
	tV _{DET2}	Over discharge detection delay time	115ms-173ms
	V _{REL2}	Over discharge release voltage	3.5±0.050V
Over current protection	V _{DET3}	Over current detection voltage	0.10±0.015V
	I _{DP}	Over current detection current	2-6A
	tV _{DET3}	Detection delay time	7.2ms-11.0ms
		Release condition	Cut load
Short protection		Detection condition	Exterior short circuit
		Release condition	Cut short circuit
Interior resistance	R _{DS}	Main loop electrify resistance	VC=4.2V,R _{DS} ≤70mΩ
Current consumption	I _{DD}	Current consume in normal operation	3μA Type 7μA Max

*Note: These specs are guaranteed by design not by production tests.

Document Name	Document No.	Ver	Date	Page
LP603448-PCM-LD/ Specification	ZJQM-RD-SPC-0457	0.0	2012/06/27	6/8

6.2.0 PCM Circuit Diagram



7. Pack's Dimension

	<p>1. Drawing: T (max) =6.3mm W (max) =34.5mm H (max) =50mm L =30±3 mm</p> <p>2. Materials: ① cell: LP603448 ② PCM ③ Wire: red (+) UL1007 28AWG ④ Wire: black (-) UL1007 28AWG ⑤ High temp. adhesive tape: 5mm ⑥ High temp. adhesive tape: 14mm ⑦ Connector: Molex 51021-0200</p>
--	--

8. PACK 's voltage and internal resistance

Voltage: 3.7~3.8V

Internal Resistance: $\leq 200m\Omega$

Document Name	Document No.	Ver	Date	Page
LP603448-PCM-LD/ Specification	ZJQM-RD-SPC-0457	0.0	2012/06/27	7/8

9. Matters needing attention

Strictly observes the following needing attention. EEMB will not be responsible for any accident occurred by handling outside of the precautions in this specification.

! Danger

- Strictly prohibits heat or throw cell into fire.
- Strictly prohibits throw and wet cell in liquid such as water, gasoline or drink etc.
- Strictly prohibits use leave cell close to fire or inside of a car where temperature may be above 60°C. Also do not charge / discharge in such conditions.
- Strictly prohibits put batteries in your pockets or a bag together with metal objects such as necklaces. Hairpins, coins, or screws. Do not store or transportation batteries with such objects.
- Strictly prohibits short circuit the (+) and (-) terminals with other metals.
- Do not place Cell in a device with the (+) and (-) in the wrong way around.
- Strictly prohibits pierce Cell with a sharp object such as a needle.
- Strictly prohibits disassemble or modify the cell.
- Strictly prohibits welding a cell directly.
- Do not use a Cell with serious scar or deformation.
- Thoroughly read the user's manual before use, inaccurate handling of lithium ion rechargeable cell may cause leakage, heat, smoke, an explosion, or fire, capacity decreasing.

! Warning

- Strictly prohibits put cell into a microwave oven, dryer, or high-pressure container.
- Strictly prohibits use cell with dry cells and other primary batteries, or new and old battery or batteries of a different package, type, or brand.
- Stop charging the Cell if charging is not completed within the specified time.
- Stop using the Cell if abnormal heat, odor, discoloration, deformation or abnormal condition is detected during use, charge, or storage.
- Keep away from fire immediately when leakage or foul odor is detected.
- If liquid leaks onto your skin or clothes, wash well with fresh water immediately.
- If liquid leaking from the Cell gets into your eyes, do not rub your eyes. Wash them well with clean edible oil and go to see a doctor immediately.

! Caution

- Before using the Cell, be sure to read the user's manual and cautions on handling thoroughly.
- Charging with specific charger according to product specification. Charge with CC/CV method. Strictly prohibits reversed charging. Connect cell reverse will not charge the cell. At the same time, it will reduce the charge-discharge characteristics and safety characteristics, this will lead to product heat and leakage.
- Store batteries out of reach of children so that they are not accidentally swallowed.
- If younger children use the Cell, their guardians should explain the proper handling.
- Before using the Cell, be sure to read the user's manual and cautions on handling thoroughly.
- Batteries have life cycles. If the time that the Cell powers equipment becomes much shorter than usual,

Document Name	Document No.	Ver	Date	Page
LP603448-PCM-LD/ Specification	ZJQM-RD-SPC-0457	0.0	2012/06/27	8/8

the Cell life is at an end. Replace the Cell with a new same one.

- When not using Cell for an extended period, remove it from the equipment and store in a place with low humidity and low temperature.
- While the Cell pack is charged, used and stored, keep it away from objects or materials with static electric charges.
- If the terminals of the Cell become dirty, wipe with a dry clothe before using the Cell.
- Storage the battery in storage temperature range as the specifications, After full discharged, we suggest that charging to 3.7~4.0V with no using for a long time.
- Do not exceed these ranges of the following temperature ranges:

Charge temperature range : 0°C to 45°C;

Discharge temperature range : -20°C to 60°C.

Store less than 1 month : -20°C - +60°C

Store less than 3 months : -20°C - +45°C

Store less than 1 year : -20°C - +25°C

! Special Notice

Keep the battery in **50% charged state** during long period storage. We recommend to charge the battery up to 50% of the total capacity every 3 months after receipt of the battery and maintain the voltage 3.7~4.0V. And store the battery in cool and dry place.