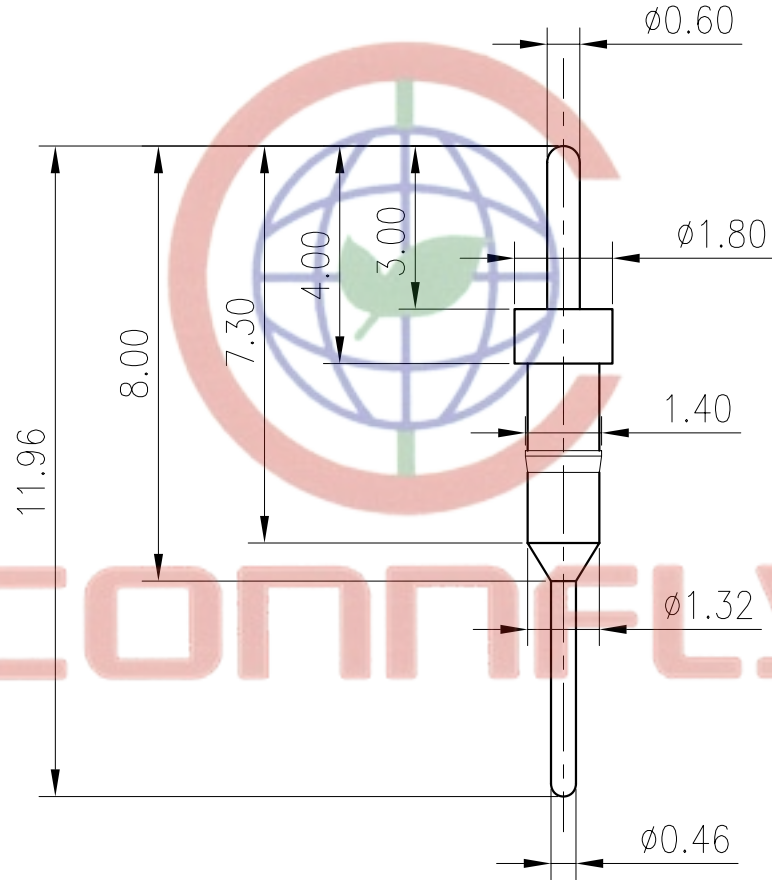


REV.	DESCRIPTION	DRAWN	CHECKED	APPROVED
A	NEW RELEASE	LL 07/23/06'		



NOTES:

- MATERIAL::
Brass, Machined, CuZn38Pb2
- ELECTRICAL
. Current Rating : 1A Per Pin
. Operating Voltage : 60V Max
- Product Number Code:
DS1006-13 - X
Pin Plating
6: Full Tin
8: Full Gold Flash

Tel: 86-574-63508787

Fax: 86-574-63510817

GENERAL TOLERANCE		ANGLE TOLERANCE		PROJECTION	⊕	TITLE
X.	±0.20	X.	±2°	UNITS	mm	BOARD TO BOARD TERMINALS 11.96mm
.X	±0.10	.X	±1°	SHEET SIZE	A4	SERIES DS1006-13 SERIES
.XX	±0.05	.XX	±0.5°			
DRAWING TYPE	CUSTOMER					
SCALE	1:1	SHEET	10F1			
DRAWING NO.	DS1006-13-X					



晨翔电子有限公司

CONNFLY CONNFLY ELECTRONIC CO. LTD