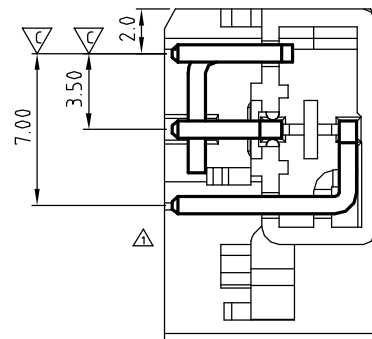
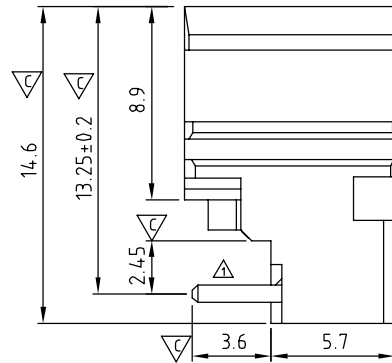
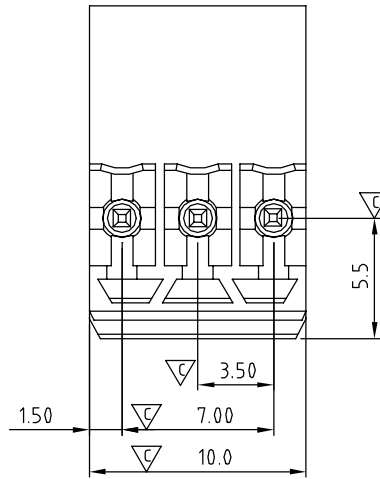
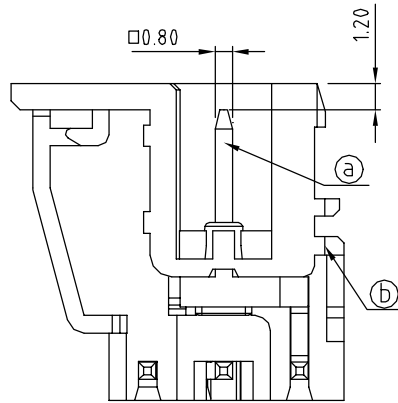


P.C.B LAYOUT



SIGN	DATE	DESCRIPTION	APPROVER
△	02/18'12	Change the pin chamfer	Aaron
△			

THIS IS CAD DRAWING, DO NOT REVISE MANUALLY!!!

Material:

- Item (a) Male contact pin: Copper Tin plated
- Item (b) Terminal(housing): Thermoplastic (UL94V-0)

Electrical:

- Voltage rating: 300V
- Current rating: 10A
- Withstanding Voltage: 1.6 KV
- Operating temperature: -40°C to +115°C
- Soldering temperature: 250°C±10°C/5 Sec
- Safety Approval:
- Critical dimension: ▽

EU 03 10 x 1 xxxx G

COLOR

- 0 Black (RAL9005)
- 2 Red (RAL3001/D)
- 3 Orange(RAL2011/P)
- 4 Yellow(RAL1018/A)
- 5 Green(RAL6018/T)
- 6 Blue (RAL5015/A)
- 8 Grey(RAL7035/D)
- 9 White(RAL1102)
- C Green(RAL6018/U)

RoHS compliant  
(lead<4%)  
In copper Alloy

0000 Standard @ Logo  
000A Standard ANY Logo  
Any special item by  
customer request,  
please contact sales  
department.

**ANYTEK**

**CUSTOMER COPY**

ALL RIGHTS RESERVED. REPRODUCTION OR ISSUE TO THIRD PARTIES IN ANY FORM WHATSOEVER IS NOT PERMITTED WITHOUT WRITTEN AUTHORITY FROM THE PROPRIETOR. PROPERTY OF ANYTEK TECHNOLOGY CO., LTD

TITLE		EU 3.5 SERIES 3P (Left)		DWG NO.		8EU0106	
PART NO.		EU0310x1xxxxG		DWG NO.		8EU0106	
APPROVED	CHECKED	DESIGNED	DRAWN	CUST NO.		Tolerance	
		Aaron	Jacke			UNIT: mm	X. ±0.50
		2012.02.18	2010.07.17			SCALE: NONE	X.X ±0.30
				SHEET: 01/01		REV.: C	X.XX ±0.10
							X° ±1°