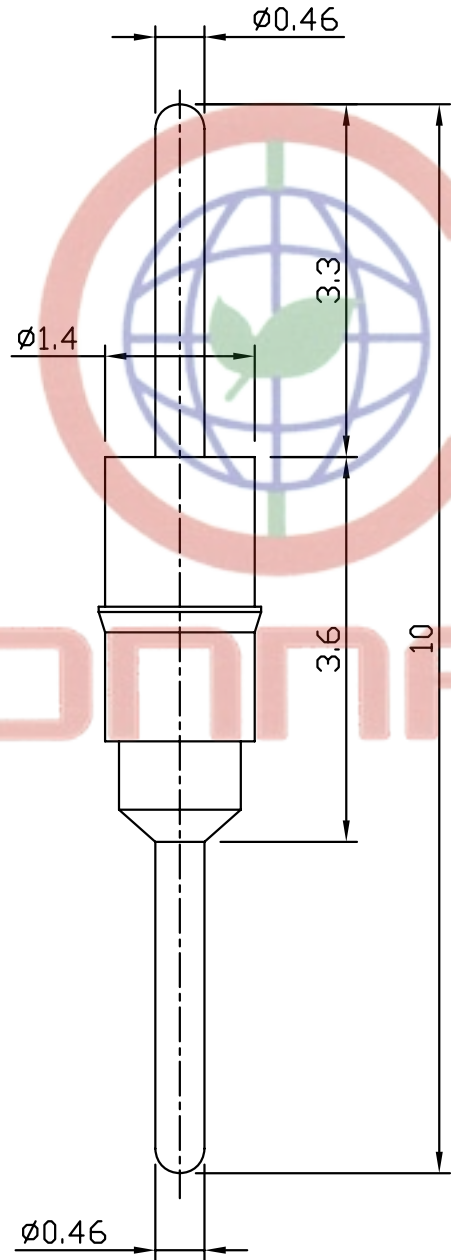


REV.	DESCRIPTION	DRAWN	CHECKED	APPROVED
A	NEW RELEASE	HP 07/08/05		



### TECHNICAL DATA

- MATERIAL
  - . Pin: Brass, Machined, CuZn38Pb2
- ELECTRICAL
  - . Current Rating: 3A Per Pin max.
  - . Operating Voltage: 60V max
- PRODUCT NUMBER CODE:

DS1006-05 - X

PIN PLATED  
 6: Full Tin  
 8: Full Gold flash  
 C: Full Gold 3u"  
 A: Full Gold 10u"  
 B: Full Gold 15u"

Tel: 86-574-63508787  
 Fax: 86-574-63510817  
 SERIES NO  
 DS1006-05

GENERAL TOLERANCE		ANGLE TOLERANCE		PROJECTION		TITLE	BOARD TO BOARD TERMINALS 10.1mm	
X.	$\pm 0.20$	X.	$\pm 2^\circ$	UNITS	mm	SHEET SIZE	A4	SERIES
.X	$\pm 0.10$	.X	$\pm 1^\circ$					
.XX	$\pm 0.05$	.XX	$\pm 0.5^\circ$					
DRAWING TYPE		CUSTOMER		晨翔电子有限公司 <b>CONNFLY CONNFLY ELECTRONIC CO. LTD</b>				
SCALE		SHEET						
DRAWING NO.		C-DS1006-05-X						