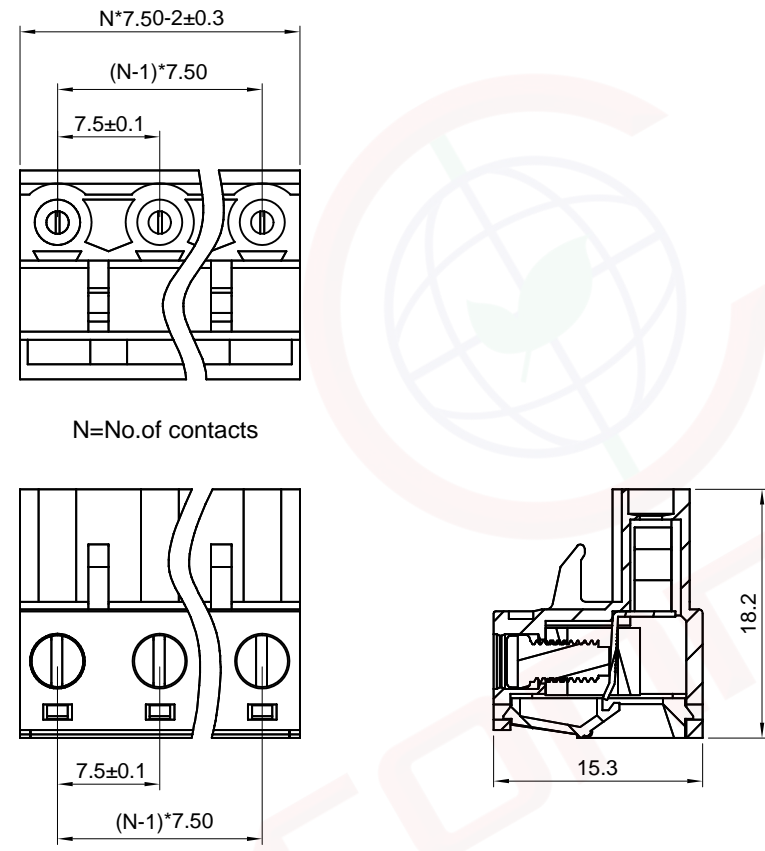


The information provided herein is from CONNELY Electronic Co., Ltd. and is confidential. Any disclosure to a party other than the recipient is prohibited. The intellectual properties and its rights contained herein, including but not limited to, trademarks, patents, copyrights, trade secrets, and technical know-how, are owned exclusively by CONNELY or its affiliates. Unauthorized use or reproduction of any part of this document, in any form or by any means, without the prior written permission of CONNELY may constitute a violation of such rights. CONNELY may enforce its intellectual property rights at its own discretion, failures or delays to exercise such rights does not constitute a waiver of such rights.

REV.	DESCRIPTION	DRAWN	CHECKED	APPROVED
A	NEW RELEASE	JLZ 07/13/22'		



NOTES:
 Standard UL
 Rated voltage:300V
 Rated current:15A
 Wrth standing voltage:AC1500V/1 Min
 Wire range:28~12AWG
 Temp.Range:-40°C~+105°C
 Pitch:7.50mm
 Poles:2~24P
Materials:
 Contact: Copper Alloy, Tin plated.
 Insulator: Nylon.
 Wire guard: Copper Alloy, Nickel Plated.
 Screw: M3, Steel, Zinc Plated.
 Product Number Code:

DS1159-18 - X X X
 Contact plating
 6: Tin
 Housing color
 G: Green
 No.of contacts
 2-24



(Series Image-Reference Only)

GENERAL TOLERANCE		ANGLE TOLERANCE		PROJECTION		TITLE
X.	±0.60	X.	±5°	UNITS	mm	7.50mm Pluggable Terminal Blocks Plug Type
.X	±0.38	.X	±3°	SHEET SIZE	A4	SERIES DS1159-18 SERIES
.XX	±0.25	.XX	±2°			
DRAWING TYPE		CUSTOMER		晨翔电子有限公司 CONNFLY ELECTRONIC CO. LTD		
SCALE		1:1				
DRAWING NO.		C-DS1159-18-XXX-A				