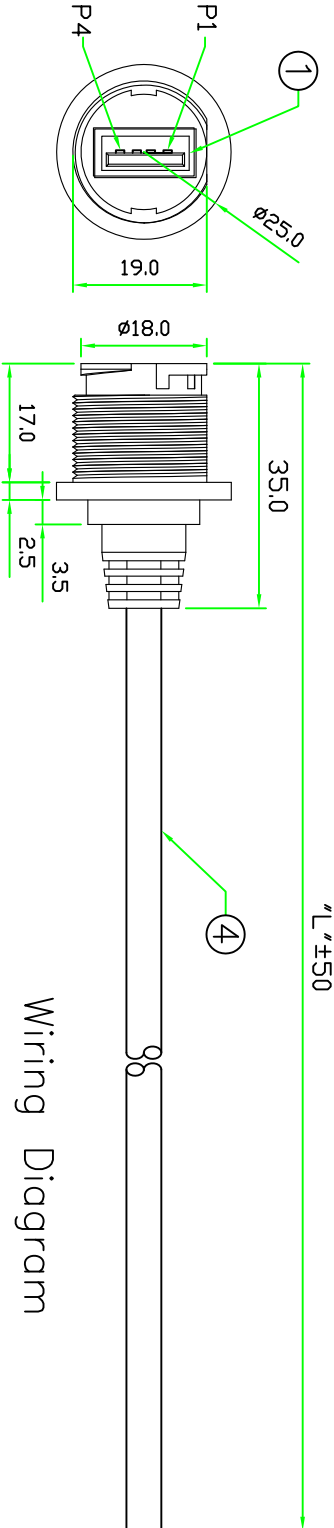


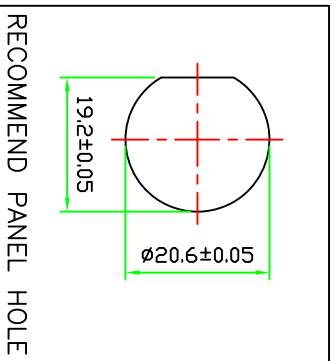
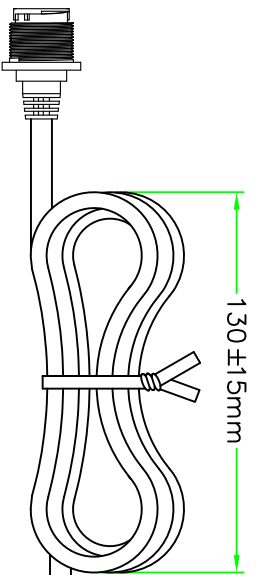
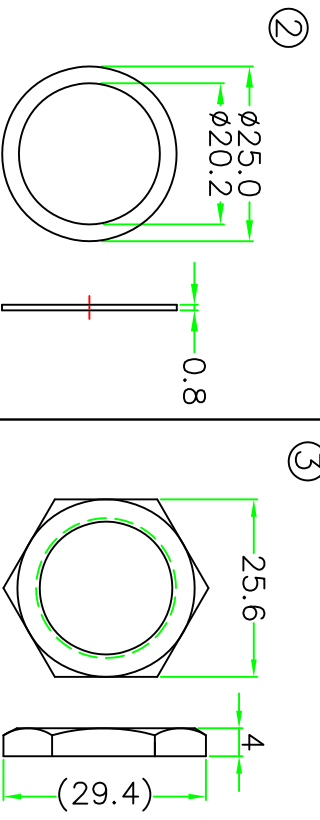
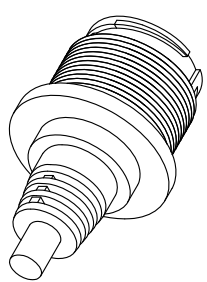
PROPRIETARY AND CONFIDENTIAL
 THE INFORMATION CONTAINED IN THIS DRAWING IS THE SOLE PROPERTY OF HTP ASIA TECHNOLOGY CO., LTD.
 ANY REPRODUCTION IN PART OR AS A WHOLE WITHOUT THE WRITTEN PERMISSION OF HTP ASIA TECHNOLOGY CO., LTD. IS PROHIBITED.

REV	DESCRIPTION	DATE
A	ISSUE	NOV/05/2008
A1	Correct P/N	APR/30/2013



Wiring Diagram

- 1 ——— RED<(24AWG)> 紅
- 2 ——— WHITE<(28AWG)> 白
- 3 ——— GREEN<(28AWG)> 綠
- 4 ——— BLACK<(24AWG)> 黑
- SHELL ——— DRAIN 地線



RECOMMEND PANEL HOLE

4	CABLE	28AWG×1P+24AWG×2C+AL/MYLAR+DRAIN+BRAID. OD:5.0mm.	BLACK	1	
3	HEX NUT	NYLON+GF.	BLACK	1	42-135
2	GASKET	EPDM.	BLACK	1	84-135
1	CONNECTOR	USB A 2.0 TYPE FEMALE CONNECTOR.	WHITE	1	
No.	PART NAME	DESCRIPTION			

HOLIN HTP ASIA TECHNOLOGY CO., LTD.
 禾凌科技 股份有限公司

TITLE : USB A 2.0 TYPE FEMALE PANEL LOCK & CIRCULAR FLANGE TYPE CABLE MOLDED

SCALE 1:1 UNIT:mm

UNLESS OTHERWISE SPECIFIED TOLERANCES:
 X ±0.25 XX ±0.1
 XXX ±0.05 ANGLE ±1x

P/N: USB2AC-L3CSM-xxM
 DWG.NO: USB2AC-L3CSM-xxM

DR. jaeyi
 CH. Michael
 AP.

REV. A1 1/1 SHEET