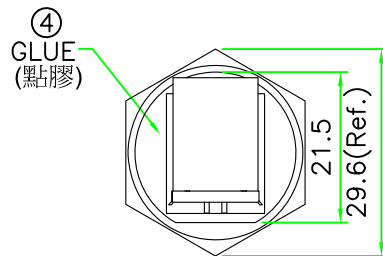
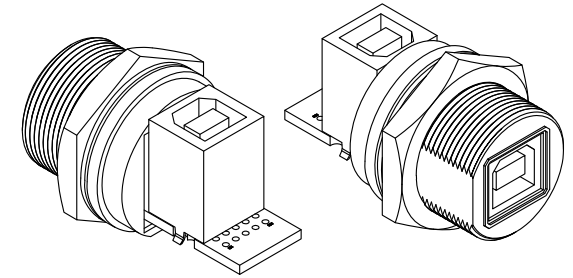
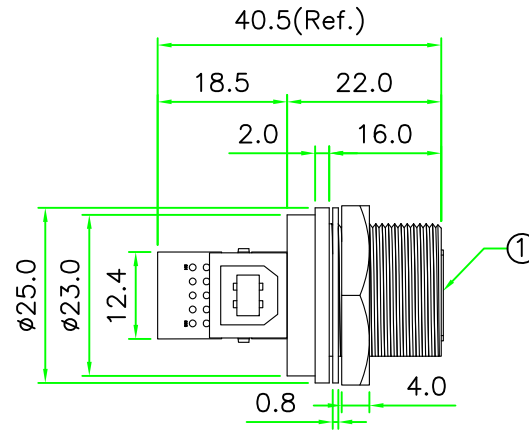


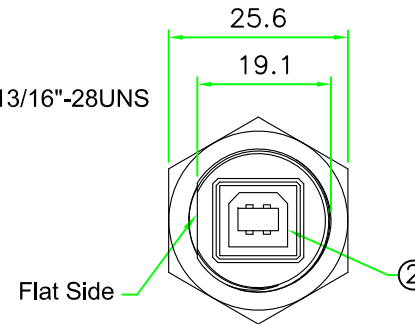
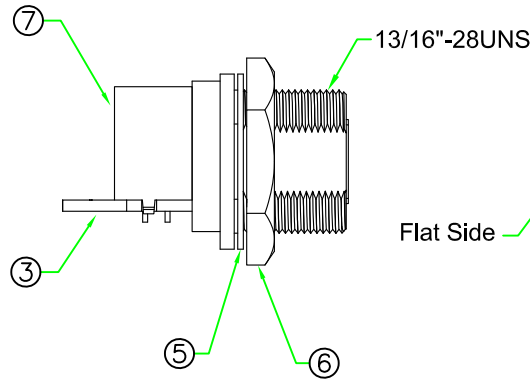
RECOMMENDED
PANEL CUT OUT

RoHS

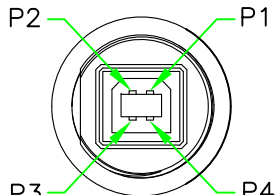
IP66~68



REAR VIEW
(後視圖)



FRONT VIEW
(前視圖)



PIN ASSIGNMENT
FRONT VIEW(前視圖)

NOTES:

1. Current Rating: 1A
2. Connector Temperature Range: -25°C to 85°C
3. Contact Resistance: ≤30mΩ
4. Insulation Resistance: ≥100MΩ
5. Breakdown Voltage: ≥AC 500V/1 Minute
6. Panel Thickness Max. 6.0 mm

No.	PART NAME	DESCRIPTION	COLOR	Q'TY	REMARKS
7	CONNECTOR	USB 2.0 B Type Female Straight PCB Type.		1	
6	HEX NUT	NYLON+GF.	BLACK	1	
5	GASKET	EPDM.	BLACK	1	
4	GLUE	EPOXY.	BLACK	1	
3	PCB	FR4. Double Size, 1.6mm Thickness		1	
2	CONNECTOR	USB 2.0 B Type Female Connector.	WHITE	1	
1	BODY	USB B Type Female Connector Body. NYLON+GF.	BLACK	1	

HOLIN® HTP ASIA TECHNOLOGY CO., LTD.
禾凌科技股份有限公司

UNIT: mm
SCALE: 1:1

TITLE: USB 2.0 B Type Female C Size
Screw Type Circular Flange Panel
With Straight Angle USB 2.0 B Type Female

P/N: USB2BC-P3CRJ
DR. SIBYL
CH. JAMES

DWG.NO: USB2BC-P3CRJ
AP.

UNLESS OTHERWISE SPECIFIED TOLERANCES:
.X ±1.0 .XX ±0.5
.XXX ±0.25 ANGLE ±1°

REV. A SHEET 1/1