

SIGN	DATE	DESCRIPTION	APPROVER
Δ	11/09'11	Add is cULus	Aaron
Δ	11/09'11	The Dim C is added	Aaron
Δ	01/21-16	Update the drawing & Add the 2P view	Evan

THIS IS CAD DRAWING, DO NOT REVISE MANUALLY!!!!

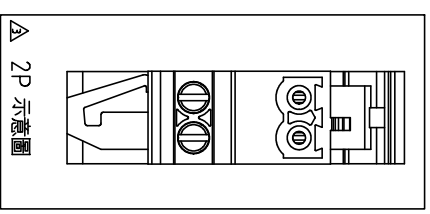
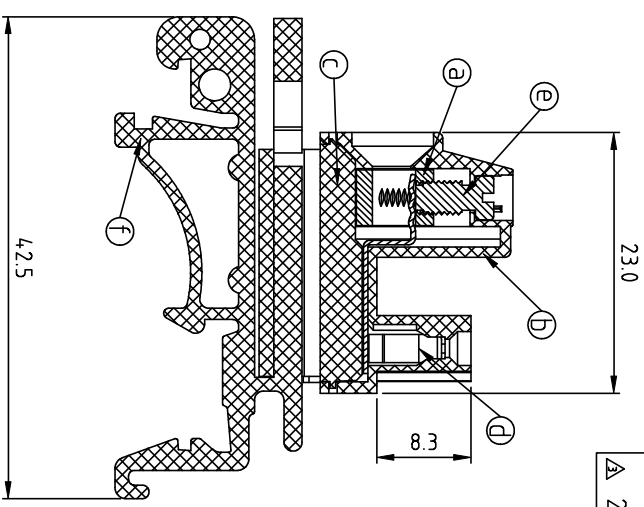
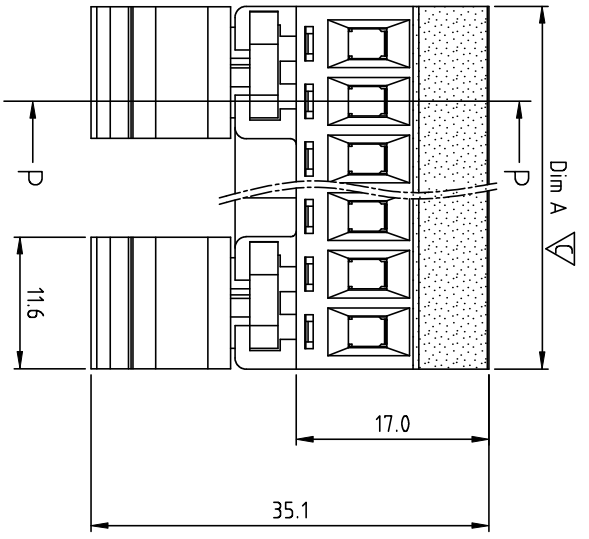
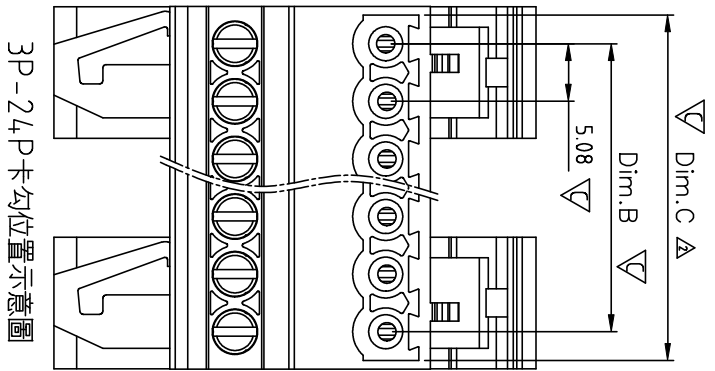
# V9 XX 5 1 X 4 XXXX G

RoHS compliant  
(lead <4%)  
In copper Alloy

No. OF POLES  
02: 2 POLES  
03: 3 POLES

COLOR

- 0 Black (RAL 9005)
  - 2 Red (RAL 3001/D)
  - 3 Orange(RAL2011/P)
  - 4 Yellow(RAL 1018/A)
  - 5 Green(RAL 6018/T)
  - 6 Blue (RAL 5015/A)
  - 8 Grey(RAL 7035/D)
  - 9 White(RAL 1102)
  - C Green(RAL 6018/U)
- 0000: "@" Logo (Standard)  
000A: "ANYTEK" Mark  
Any special item by customer request, please contact sales department.



- Material:
- Item ② Clamp: Brass Ni plated
  - Item ① Terminal (housing): Thermoplastic (UL 94V-0)
  - Item ③ Terminal (Cover): Thermoplastic (UL 94V-0)
  - Item ④ Male contact: PhBz, Bright Tin plated over Nickel plated
  - Item ⑤ Terminal screw: Steel Zinc plating "-" - " slot type
  - Item ⑥ Terminal(track): Thermoplastic (UL 94V-0)
- Electrical: cULus
- Voltage rating: 300V
  - Current rating: 12A
  - Wire range:
  - Solid wire(AWG):12-30
  - Stranded wire(AWG):12-30
  - Torque:5.2lb-In.
  - Screw:M3
  - Wire strip length: 6-7 mm
  - Withstanding Voltage: 1.6KV
  - Operating temperature:-40°C to +115°C
  - Safety Approval: **RA** cULus
  - Critical dimension: Δ

N=Number of poles

Dimension	Poles	Tol
Dim. A (N-1) × 5.08+6.6	2P - 6P	±0.15
Dim. B (N-1) × 5.08	7P - 12P	±0.20
Dim. C N × 5.08	13P - 18P	±0.30
	19P - 24P	±0.40

# ANYTEK

## CUSTOMER COPY

ALL RIGHTS RESERVED. REPRODUCTION OR ISSUE TO THIRD PARTIES IN ANY FORM WHATSOEVER IS NOT PERMITTED WITHOUT WRITTEN AUTHORITY FROM THE PROPRIETOR. PROPERTY OF ANYTEK TECHNOLOGY CO., LTD.

TITLE		V9-5.08 mm Series 2P-24P W/O Flange (Dinrail holder B type )	
PART NO.	V9xx51x4xxxxG	DWG NO.	8V90002
APPROVED	CHECKED	DESIGNED	DRAWN
	Evan	02/15-16	Tony
		2008.01.19	
SHEET: 01/01		REV: D	
Tolerance		UNIT: mm	X.X
		SCALE: NONE	X.XX
		REV: D	X°
			±1°