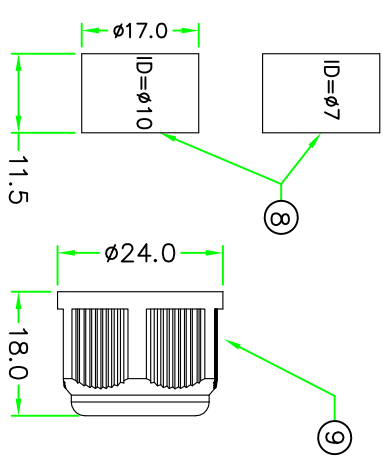
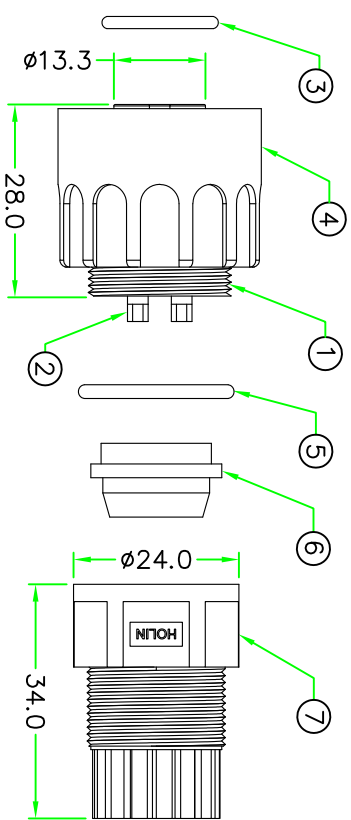
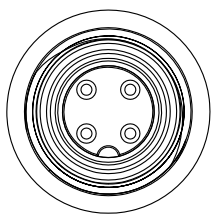
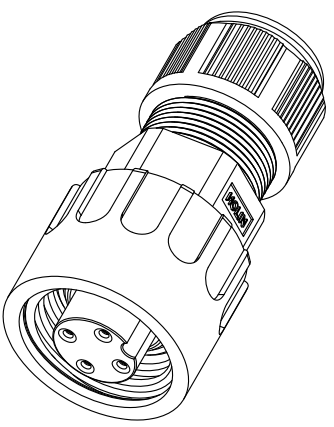
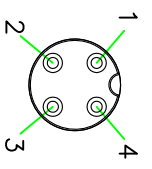


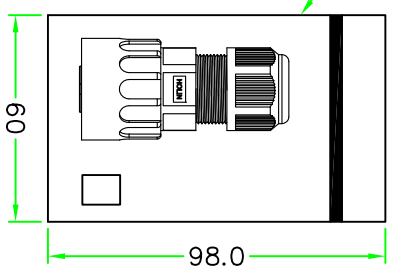
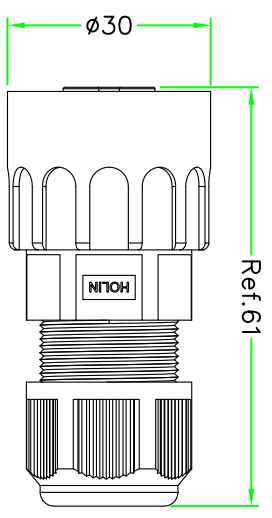
REV.	DESCRIPTION	DATE
A	ISSUE	Dec/04/2013



ROHS



**Pin Assignment
Front View
(前视图)**



#2 Zipper PE Bag.

9	CLAMP NUT	NYLON+GF.	BLACK	1	(70-135-N5) DPA-CLAMP		
8	SEAL	RUBBER (ID= 7.0 & 10.0mm)	BLACK	2	(97-135) DPL-SEALxx		
7	HOOD	NYLON.	BLACK	1	(69-135-N3) DPAHOOD		
6	GASKET	RUBBER.	BLACK	1	(97-135) DPS-RUBBER		
5	O-RING	EPDM.	BLACK	1	O-1620-EK		
4	SCREW NUT	NYLON+GF.	BLACK	1	P-SMF-NS (85-135-M4)		
3	O-RING	NBR.	BLACK	1	C16-F-P-N		
2	CONTACT	BRASS, FEMALE PIN. 6 u" GOLD PLATED.		4	CPP-7FC-S		
1	CONNECTOR	P Size 4P FEMALE INSERT, NYLON+GF.	BLACK	1	(27-135-N2) CPP-AF04		
No.	PART NAME	DESCRIPTION			COLOR	QTY	REMARKS

HOLIN HTP ASIA TECHNOLOGY CO., LTD.
禾凌科技股份有限公司

SCALE: 1:1

UNITS: mm

TITLE: Circular P Size Screw Type 4P Female Connector Female Pin Field Installable Plug

UNLESS OTHERWISE SPECIFIED TOLERANCES:
 X ±0.25
 XX ±0.1
 XXX ±0.05
 ANGLE ±1°

REV. A SHEET 1/1

P/N: CPP-P204SA

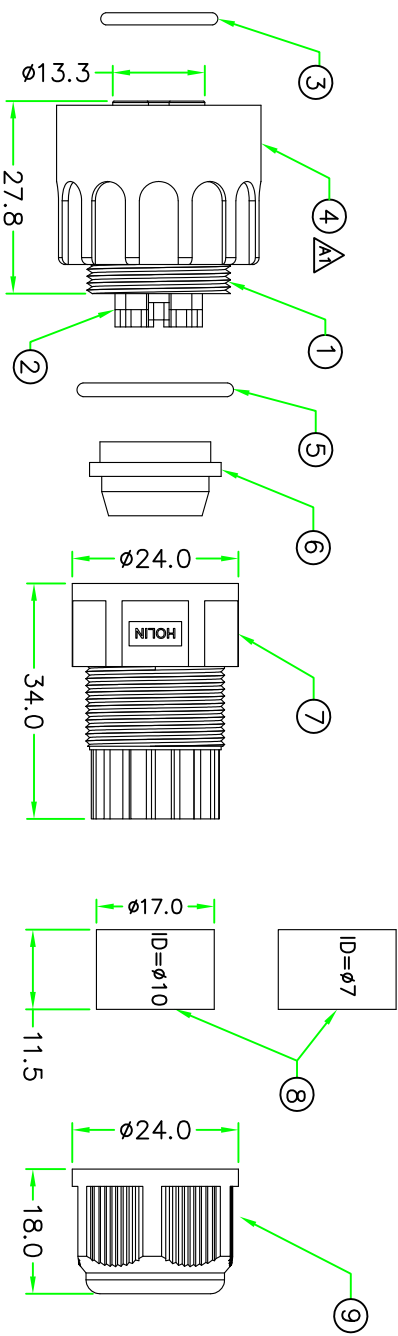
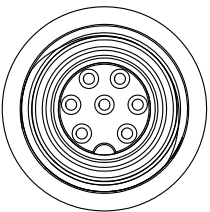
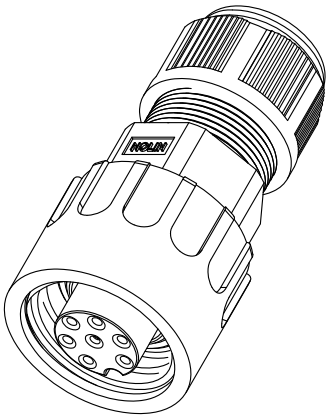
DR. JACK

CH. ERIC

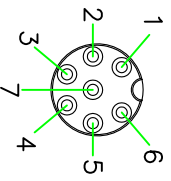
DWG. NO.: CPP-P204SA

AP.

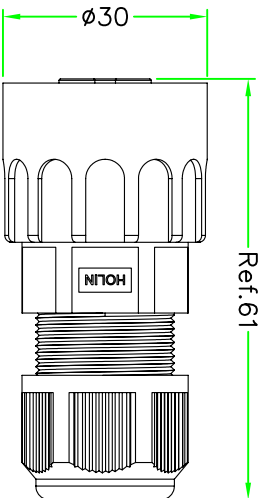
REV.	DESCRIPTION	DATE
A	ISSUE	May/08/2013
A1	Change screw nut shape.	Dec/04/2013



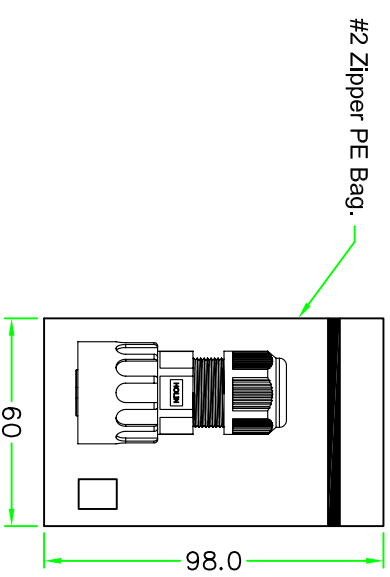
RoHS



Pin Assignment
Front View
(前視圖)



9	CLAMP NUT	NYLON+GF.	BLACK	1	(70-135-N5) DPA-CLAMP		
8	SEAL	RUBBER (ID= 7.0 & 10.0mm)	BLACK	2	(97135) DPL-SEALxx		
7	HOOD	NYLON.	BLACK	1	(69-135-N3) DPA-HOOD		
6	GASKET	RUBBER.	BLACK	1	(97-135) DPS-RUBBER		
5	O-RING	EPDM.	BLACK	1	O-1620-EK		
4	SCREW/NUT	NYLON+GF.	BLACK	1	P-SNF-FNS (66-135-N4)		
3	O-RING	NBR.	BLACK	1	C16-F-P-N		
2	CONTACT	BRASS, FEMALE PIN, 6 u" GOLD PLATED.		7	CPP-7FC-S		
1	CONNECTOR	P Size 7P FEMALE INSERT, NYLON+GF.	BLACK	1	(27-135-N2) CPP-AF07		
No.	PART NAME	DESCRIPTION			COLOR	QTY	REMARKS



#2 Zipper PE Bag.

HOLIN HTP ASIA TECHNOLOGY CO., LTD.
禾凌科技 股份有限公司

TITLE : Circular P Size Screw Type 7P Female Connector Female Pin Field Installable Plug

SCALE 1:1 UNIT: mm

UNLESS OTHERWISE SPECIFIED TOLERANCES:
X ±0.25 XX ±0.1
XXX ±0.05 ANGLE ±1°

REV. A1 SHEET 1/1 DWG.NO. CPP-P207SA DR. JACK CH. ERIC AP.