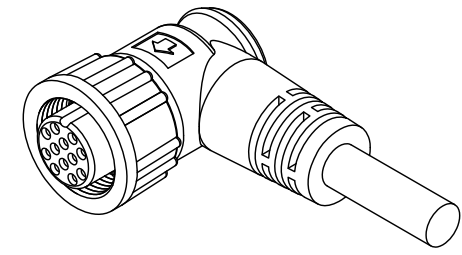
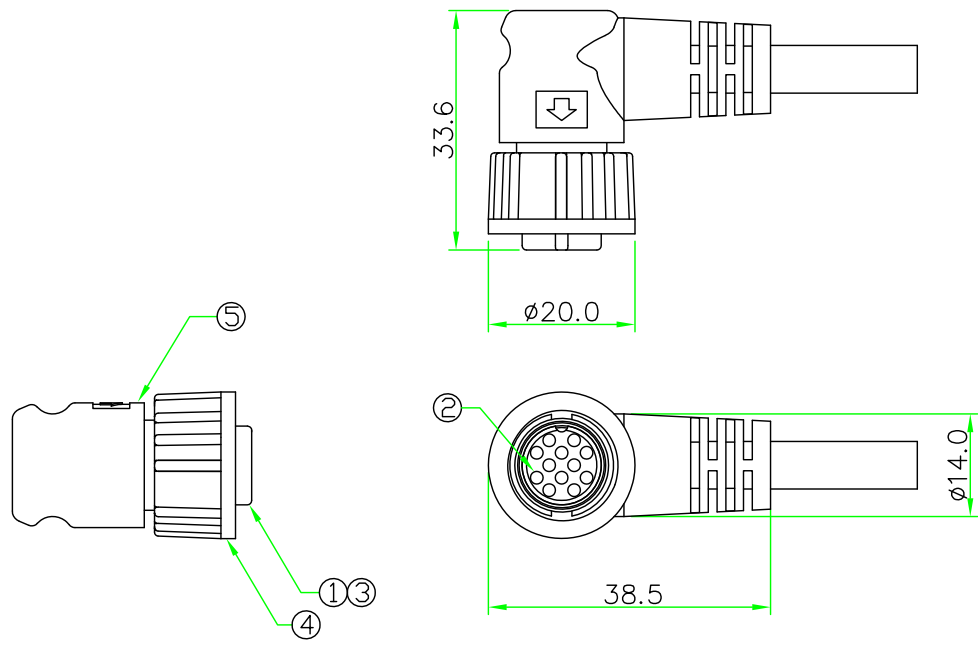


RoHS

IP67

REV.	DESCRIPTION	DATE
A	ISSUE	Jun/19/2014

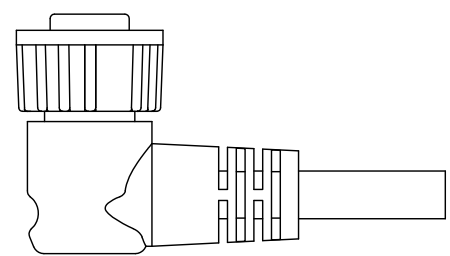
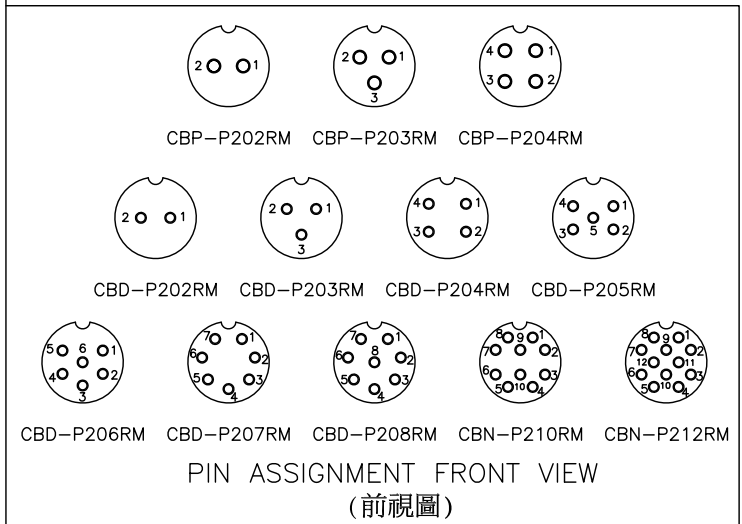


NOTES:

- ELECTRICAL CHARACTERISTICS:  
 CURRENT RATING: 2A / 5A / 10A  
 CONNECTOR TEMPERATURE RANGE: -40°C TO +105°C  
 DIELECTRIC WITHSTANDING VOLTAGE:  
 500V AC FOR ONE MINUTE
- HOW TO ORDER: CBx-P2xxRM

- 02 - 2 PIN 07 - 7 PIN
- 03 - 3 PIN 08 - 8 PIN
- 04 - 4 PIN 10 - 10 PIN
- 05 - 5 PIN 12 - 12 PIN
- 06 - 6 PIN

- P - CURRENT RATING 10A
- D - CURRENT RATING 5A
- N - CURRENT RATING 2A



5	OVERMOLD	PVC or PU.	BLACK	1	
4	SCREW NUT	NYLON+GF.	BLACK	1	
3	O-RING	NBR	BLACK	1	
2	CONTACT	Brass ,Female Pin. 6u" Gold Plated.		N	
1	CONNECTOR	B Size Female Connector Insert, NYLON+GF.	BLACK	1	
No.	PART NAME	DESCRIPTION	COLOR	Q'TY	REMARKS

**HOLIN**® HTP ASIA TECHNOLOGY CO., LTD.  
 禾凌科技股份有限公司

UNIT: mm	TITLE :	Circular B Size Screw Type Female Connector Female Pin Ringht Angle Molded Cable	
SCALE	1:1	P/N:	CBx-P2xxRM
UNLESS OTHERWISE SPECIED TOLERANCES: .X ± 0.25 .XX ± 0.1 .XXX± 0.05 ANGLE ± 1°X			
REV.	SHEET	DWG.NO:	AP.
A	1/1	CBx-P2xxRM	