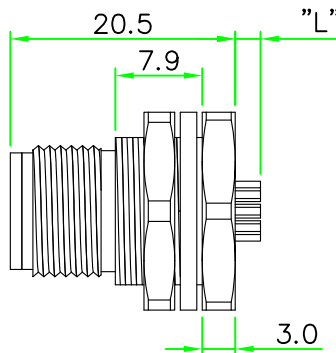
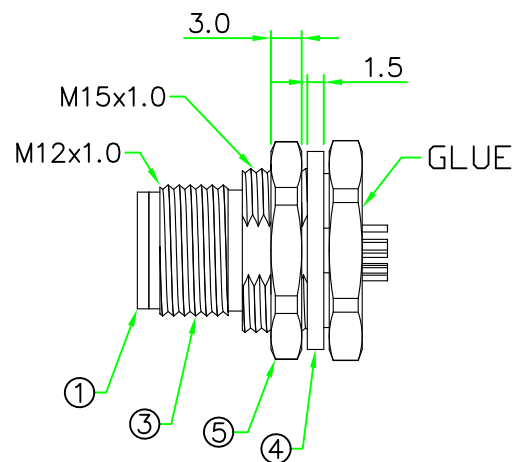
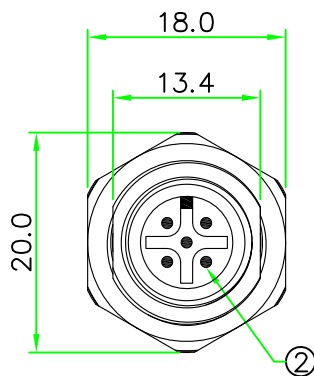


Recommended
Panel Cut-Out

RoHS
IP66~68



| PIN | L |
|------|-----|
| A12D | 3.5 |
| A12N | 3.5 |
| A12I | 2.5 |



| REV. | DESCRIPTION | DATE |
|------|--------------------------|-------------|
| A | ISSUE | Jul/27/2009 |
| A1 | Add Part NO. to remarks | Apr/15/2010 |
| A2 | Add 12pin pin assignment | Jul/27/2011 |
| A3 | Update Pin Assignment | Oct/15/2014 |

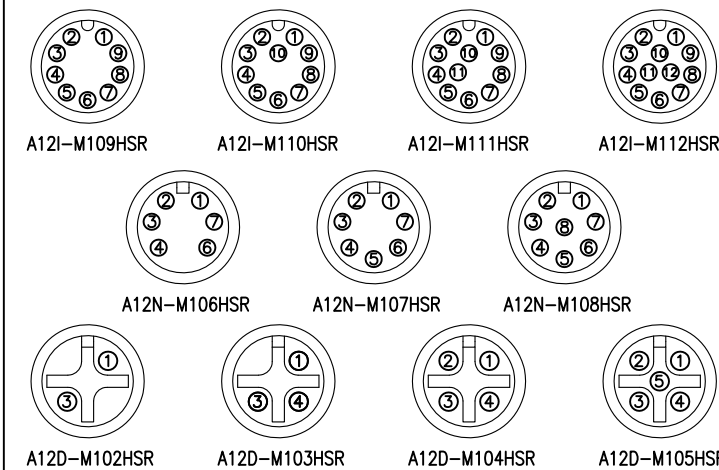
NOTES:

- ELECTRICAL CHARACTERISTICS:
CURRENT RATING: 1.5A / 2A / 4A
TEMPERATURE RANGE: -25°C TO +85°C
DIELECTRIC WITHSTANDING VOLTAGE:
500V AC FOR ONE MINUTE
- PANEL THICKNESS MAX. 3.0mm

2. HOW TO ORDER: A12x-M1xxHSR

- | | |
|------------|------------|
| 02 - 2 PIN | 08 - 8 PIN |
| 03 - 3 PIN | 09 - 9 PIN |
| 04 - 4 PIN | 10 - 10PIN |
| 05 - 5 PIN | 11 - 11PIN |
| 06 - 6 PIN | 12 - 12PIN |
| 07 - 7 PIN | |

- I - CURRENT RATING 1.5A
N - CURRENT RATING 2A
D - CURRENT RATING 4A



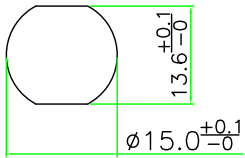
PIN ASSIGNMENT FRONT VIEW

(前視圖)

HOLIN® HTP ASIA TECHNOLOGY CO., LTD.
禾凌科技股份有限公司

| 5 | HEX NUT | Brass, Nickel Plated. | | 1 | |
|-----|-----------|--|-------|------|---------|
| 4 | GASKET | EPDM. | BLACK | 1 | |
| 3 | HOUSING | Brass, Nickel Plated. | | 1 | |
| 2 | CONTACT | Brass , 6 u" Gold Plated . Male Contact. | | N | |
| 1 | CONNECTOR | M12 A-Coding Male Connector Insert.NYLON+GF. | BLACK | 1 | |
| No. | PART NAME | DESCRIPTION | COLOR | Q'TY | REMARKS |

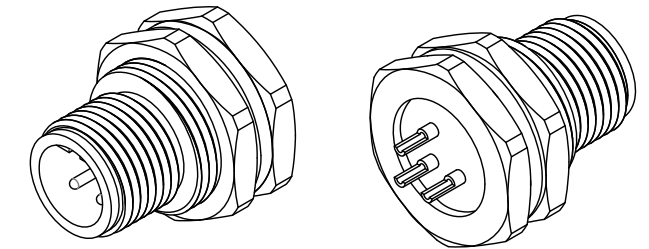
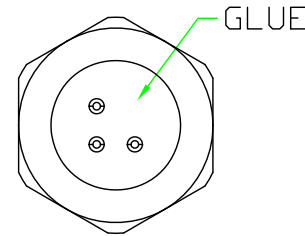
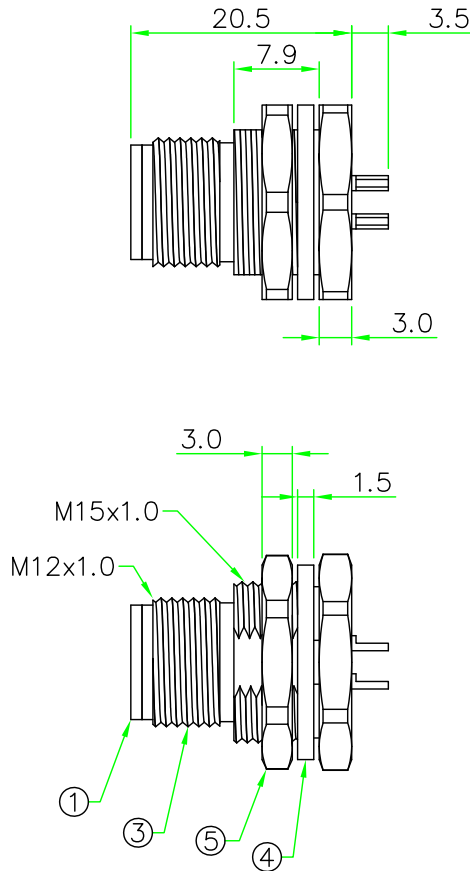
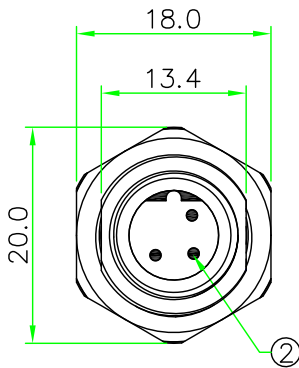
| | | | | | |
|---|----------|--------------|--|--|--|
| | UNIT: mm | TITLE | M12 A-Coding Male Panel Connector Rear mount Hex Flange With Solder Bucket Pin | | |
| SCALE | 1.5:1 | P/N: | A12x-M1xxHSR | | |
| UNLESS OTHERWISE SPECIFIED TOLERANCES: .X ± 0.25 .XX ± 0.1 .XXX ± 0.05 ANGLE ± 1° | | DR. | Patty | | |
| REV. | SHEET | CH. | ERIC | | |
| A3 | 1/1 | AP. | A12x-M1xxHSR | | |
| DWG.NO: | | A12x-M1xxHSR | | | |



Recommended
Panel Cut-Out

RoHS

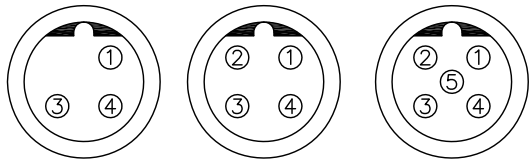
IP66~68



NOTES:

- ELECTRICAL CHARACTERISTICS:
CURRENT RATING: 4A
TEMPERATURE RANGE: -25°C TO +85°C
DIELECTRIC WITHSTANDING VOLTAGE:
500V AC FOR ONE MINUTE
- PANEL THICKNESS MAX. 3.0mm
- HOW TO ORDER: B12D-M1xxHSR

- 03 - 3 PIN
- 04 - 4 PIN
- 05 - 5 PIN



B12D-M103HSR B12D-M104HSR B12D-M105HSR

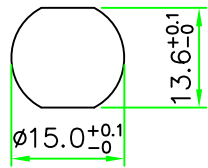
PIN ASSIGNMENT FRONT VIEW

(前視圖)

| | | | | | |
|-----|-----------|---|-------|------|---------|
| 5 | HEX NUT | Brass, Nickel Plated. | | 1 | |
| 4 | GASKET | EPDM. | BLACK | 1 | |
| 3 | HOUSING | Brass, Nickel Plated. | | 1 | |
| 2 | CONTACT | Brass, 6 u" Gold Plated. Male Contact. | | N | |
| 1 | CONNECTOR | M12 B-Coding Male Connector Insert. NYLON+GF. | BLACK | 1 | |
| No. | PART NAME | DESCRIPTION | COLOR | Q'TY | REMARKS |

| | | | |
|---|-----------|--|-----------|
| | | HOLIN® HTP ASIA TECHNOLOGY CO., LTD. 禾凌科技股份有限公司 | |
| | UNIT: mm | TITLE M12 B-Coding Male Panel Connector Rear mount Hex Flange With Solder Bucket Pin | |
| SCALE | 1.5:1 | P/N: B12D-M1xxHSR | DR. Patty |
| UNLESS OTHERWISE SPECIFIED TOLERANCES: x ±0.5 xx ±0.25 xxx ±0.1 ANGLE ±1° | | | CH. ERIC |
| REV. A | SHEET 1/1 | DWG.NO: B12D-M1xxHSR | AP. |

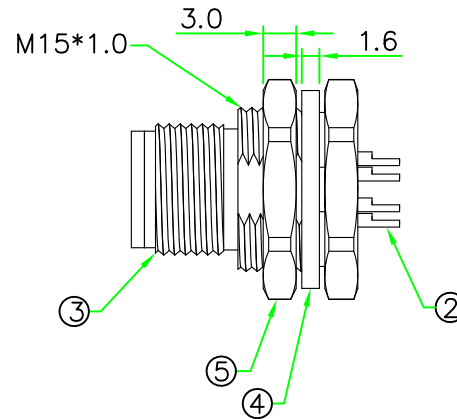
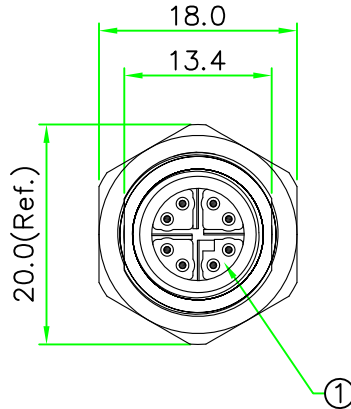
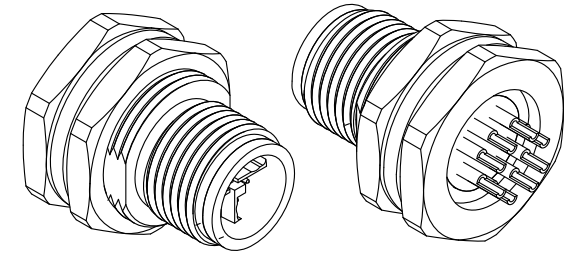
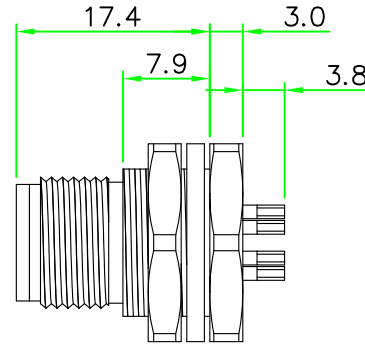
| REV. | DESCRIPTION | DATE |
|------|-------------|-------------|
| A | ISSUE | Nov/04/2014 |
| | | |
| | | |



Recommended
Panel Cut-Out

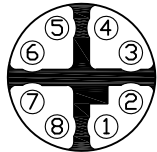
RoHS

IP66~68



NOTES:

- ELECTRICAL CHARACTERISTICS:
CURRENT RATING: 0.5A
TEMPERATURE RANGE: -25°C TO +85°C
DIELECTRIC WITHSTANDING VOLTAGE:
500V AC FOR ONE MINUTE
- PANEL THICKNESS MAX. 3.0mm



PIN ASSIGNMENT
FRONT VIEW

(前視圖)

| 5 | HEX NUT | Brass, Nickel Plated. | | 1 | |
|-----|-----------|--|-------|------|---------|
| 4 | GASKET | EPDM. | BLACK | 1 | |
| 3 | HOUSING | Brass, Nickel Plated. | | 1 | |
| 2 | CONTACT | Brass , 6 u" Gold Plated . Male Contact. | | 8 | |
| 1 | CONNECTOR | M12 X-Coding Male Connector Insert.NYLON+GF. | BLACK | 1 | |
| No. | PART NAME | DESCRIPTION | COLOR | Q'TY | REMARKS |

HOLIN® HTP ASIA TECHNOLOGY CO., LTD.
禾凌科技股份有限公司

| | | | | | |
|---|----------|---------|--|-----|-------|
| | UNIT: mm | TITLE | M12 X-Coding Male Panel Connector Rear mount Hex Flange With Solder Bucket Pin | | |
| SCALE | 1.5:1 | P/N: | X12I-M108HSR | DR. | Patty |
| UNLESS OTHERWISE SPECIFIED TOLERANCES: .X ± 0.25 .XX ± 0.1 .XXX ± 0.05 ANGLE ± 1° | | REV. | SHEET | CH. | ERIC |
| A | 1/1 | DWG.NO: | X12I-M108HSR | AP. | |