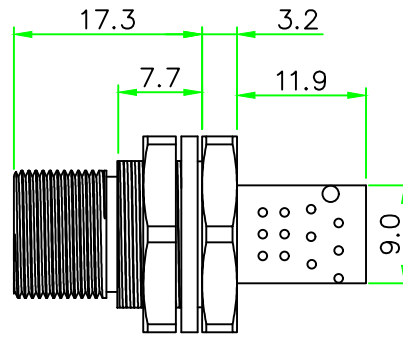


Recommended Panel Cut Out

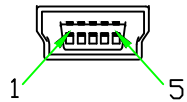
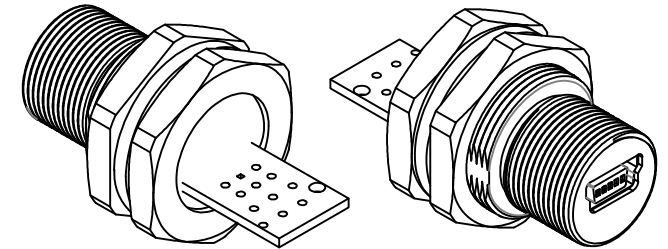
RoHS

IP66~68

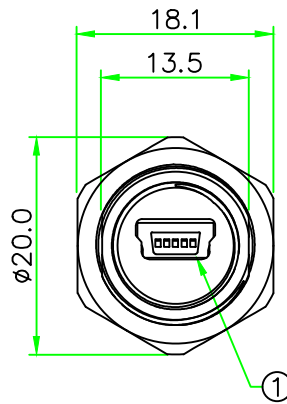
REV.	DESCRIPTION	DATE
A	ISSUE	Mar/23/2018



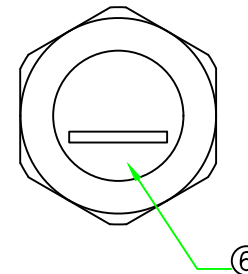
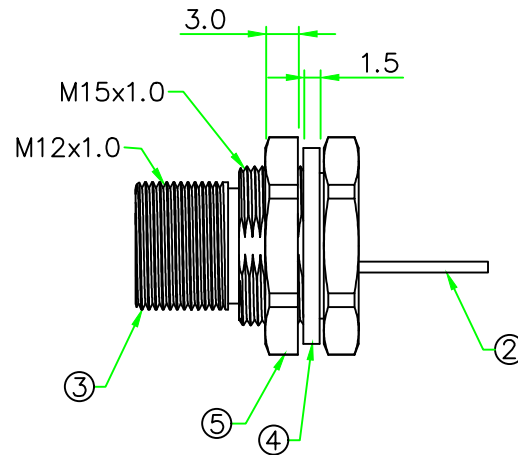
Top View
(上視圖)



Pin Assignment Front View
(前視圖)

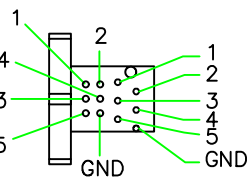


Front View
(前視圖)



Specification:

1. Current rating : 1A Max.
2. Dielectric withstanding voltage: 100V(AC) for 1 minute.
3. Contact resistance : 50mΩ Max.
4. Insulation resistance : 100mΩ Min.
5. Temperature range: -20°C ~+60°C.



Pin Assignment Top View(上視圖)

HOLIN® HTP ASIA TECHNOLOGY CO., LTD.
禾凌科技股份有限公司

No.	PART NAME	DESCRIPTION	COLOR	Q'TY	REMARKS
6	GLUE	EPOXY.	BLACK	1	
5	HEX NUT	NYLON+GF.	BLACK	1	
4	GASKET	EPDM.	BLACK	1	
3	HOUSING	NYLON+GF.	BLACK	1	
2	PCB	Double Side PCB.		1	
1	CONNECTOR	Mini USB B Type Female Connector.	BLACK	1	

UNIT: mm SCALE 1.5:1 <small>UNLESS OTHERWISE SPECIFIED TOLERANCES: .x ± 0.5 .xx ± 0.25 .xxx ± 0.1 ANGLE ± 1°</small> REV. SHEET A 1/1	TITLE Mini USB B Type 5P Female Connector All Plastic Rear Mount Hex Flange With Bare PCB P/N: MUB-P3H10 DWG.NO: MUB-P3H10	DR. Stanley
		CH. ERIC
		AP.