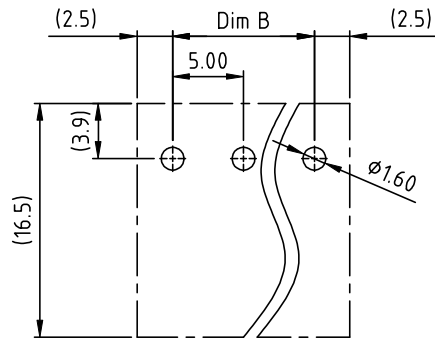
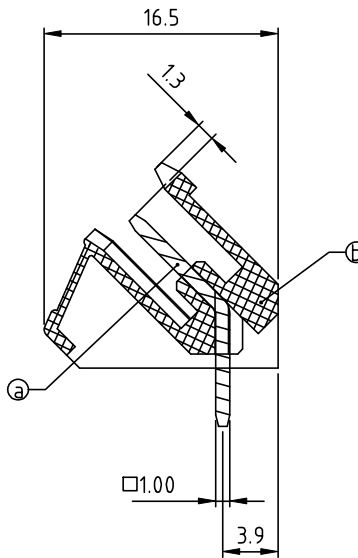
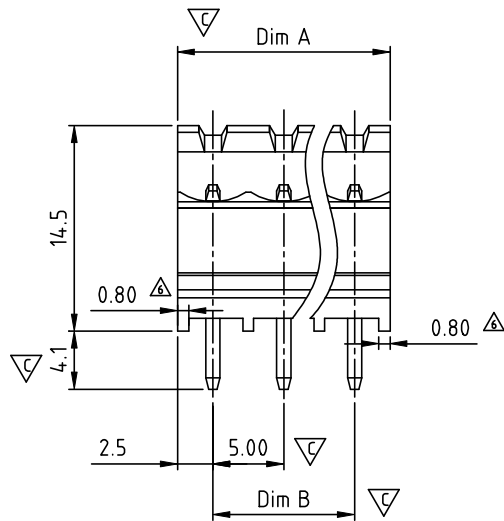
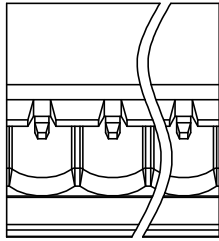


SIGN	DATE	DESCRIPTION	APPROVER
△	8/07'06	Added VDE and TUV standard	梁仁松
△	1/27'07	Soldering temperature changed from 245° to 250°	Tony
△	2009.10.27	The material is changed from Brass to Copper	Jacke
△	2009.10.27	The operating temperature is changed	Jacke
△	2010.10.11	The design is changed	Jacke
△	09/30-15	Update the drawing	Evan

THIS IS CAD DRAWING, DO NOT REVISE MANUALLY!!!



RECOMMENDED PCB LAYOUT

N = Number of poles
 Dim A = N x 5.0
 Dim B = (N - 1) x 5.0

	Dim A	Dim B
△ 2p	±0.15	±0.10
3p-6p	±0.15	±0.15
7p-12p	±0.20	±0.20
13p-18p	±0.30	±0.30
19p-24p	±0.40	±0.40

Material:

- △ △ ● Item ③ Male contact pin: Copper Bright Tin plated over Nickel plated
- Item ④ Terminal (housing): Thermoplastic (UL94 V-0)

- △ Electrical: cULus /VDE/TUV
- Voltage rating: 300V/300V/300V
- Current rating: 15A/17A/20A
- Withstanding Voltage: 1.6 KV/2.5KV/2.5KV
- △ ● Operating temperature: -40°C to +115°C
- △ ● Soldering temperature: 260°C±5°C/5 Sec
- Safety Approval:
- Critical dimension: ▽

VK xx 7 0 x 0 xxxx G

No. OF POLES
 02: 2 POLES
 03 3 POLES
 :
 24: 24 POLES

COLOR

- 0 Black (RAL9005)
- 2 Red (RAL3001/D)
- 3 Orange (RAL2011/P)
- 4 Yellow (RAL1018/A)
- 5 Green (RAL6018/T)
- 6 Blue (RAL5015/A)
- 8 Grey (RAL7035/D)
- 9 White (RAL1102)
- C Green (RAL6018/U)

G RoHS compliant △
 (lead<4%)
 In copper Alloy
 0000: "@ " Logo (Standard)
 000A: "ANYTEK" Mark
 Any special item by
 customer request.
 please contact sales
 department.

ANYTEK

CUSTOMER COPY

ALL RIGHTS RESERVED. REPRODUCTION OR ISSUE TO THIRD PARTIES IN ANY FORM WHATSOEVER IS NOT PERMITTED WITHOUT WRITTEN AUTHORITY FROM THE PROPRIETOR. PROPERTY OF ANYTEK TECHNOLOGY CO., LTD

TITLE		VK-5.0 Series Open type			DWG NO.		8VK0202		
PART NO.		VKxx70x0xxxxG			DWG NO.		8VK0202		
APPROVED		CHECKED		DESIGNED		DRAWN		CUST NO.	
		Evan 09/30-15		Jacke 2009.10.27				Tolerance	
								X. ±0.50	
						UNIT: mm		X.X ±0.30	
						SCALE: NONE		X.XX ±0.10	
						SHEET: 01/01		X° ±1°	
						REV.: H			