

SIGN	DATE	DESCRIPTION	APPROVER
△	06/28'13	Add the dimensional label	Jacky
△	06/28'13	Add the terminal lever colour	Jacky
△	06/28'13	Add the colour code	Jacky
△	06/28'13	Change the drawing number	Jacky
△	06/28'13	Add the view	Jacky

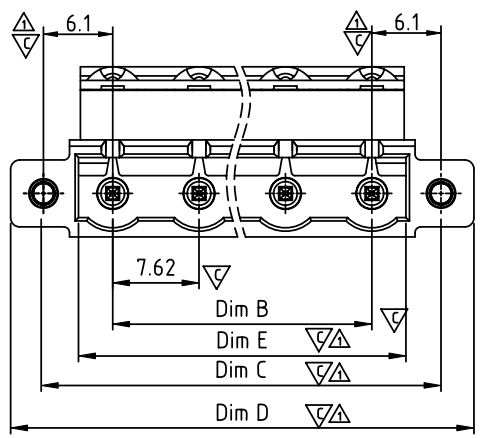
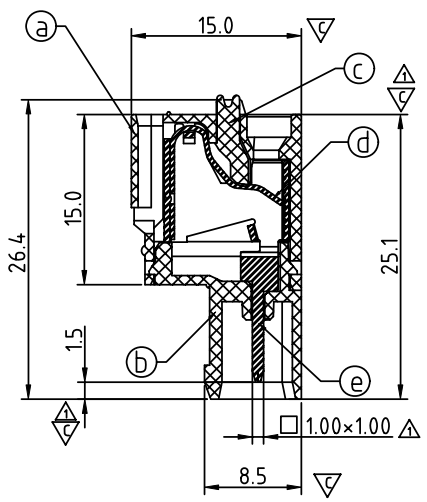
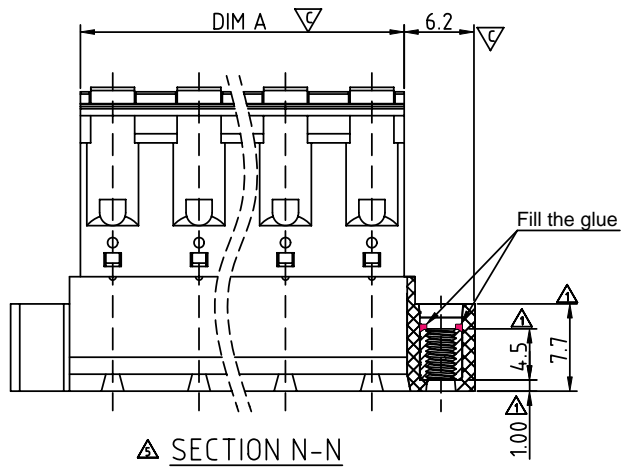
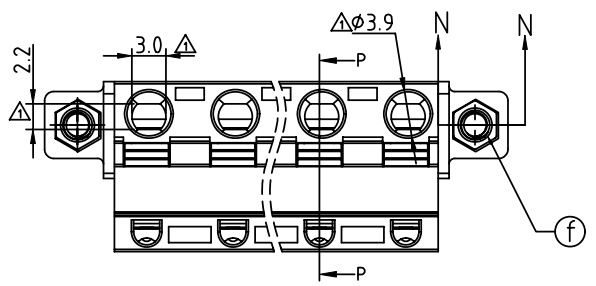
*THIS IS CAD DRAWING, DO NOT REVISE MANUALLY!!!*

**Material**

- Item a Terminal body:Thermoplastic ( UL94V-0 )
- Item b Terminal body:Thermoplastic ( UL94V-0 )
- Item c Terminal lever:Thermoplastic ( UL94V-0 10range△)
- Item d Wire guard:Stainless Steel
- Item e Male contact pin:PhBz ( CuSn ) Tin plated
- Item f With flange Nut :Brass M2.5

**Electrical**

- Voltage rating: 300V
- Current rating: 10A
- Solid wire(AWG): 12-26
- Stranded wire(AWG): 12-26
- Wire strip length: 9-10mm
- Withstanding Voltage: 1.6KV
- Operating temperature: -40°C to +115°C
- Safety Approval: us
- Critical dimension:



**Dimension**

DIM A	$(N-1) \times 7.62 + 5.7$
DIM B	$(N-1) \times 7.62$
△ DIM C	$(N-1) \times 7.62 + 12.2$
△ DIM D	$(N-1) \times 7.62 + 18.0$
△ DIM E	$(N-1) \times 7.62 + 6.02$

N=Number of poles

POLES	TOL
2p-6p	±0.20
7p-12p	±0.30
13p-16p	±0.40

**H5 xx 00 x 2 xxxx G**

- 02 2 CONTACTS
  - 03 3 CONTACTS
  - ... ..
  - 16 16 CONTACTS
- 0: BLACK  
5: GREEN (RAL 6018/T)  
6: BLUE  
8: GREY (RAL 7035/D)  
△C: GREEN (RAL 6018/U)
- 0000 Standard @ Logo  
000A Standard ANY Logo  
Any special item by customer request, please contact sales department.
- RoHS compliant (lead<4%)  
In copper Alloy

<b>ANYTEK</b>		<b>CUSTOMER COPY</b>	
ALL RIGHTS RESERVED. REPRODUCTION OR ISSUE TO THIRD PARTIES IN ANY FORM WHATSOEVER IS NOT PERMITTED WITHOUT WRITTEN AUTHORITY FROM THE PROPRIETOR. PROPERTY OF ANYTEK TECHNOLOGY CO., LTD			
TITLE: H5 7.62 Series ( 2P-16P ) Flange with NUT		DWG NO.: 8H50603 △	
PART NO.: H5xx00x2xxxxG	CHECKED:	DESIGNED: Jacky 2013.06.28	DRAWN: Jacky 2013.06.28
APPROVED:	CUSTOMER NO.:	Tolerance	
		X. ±0.50	
		X.X ±0.30	
		X.XX ±0.10	
		X* ±1*	
SHEET: 01/01		REV.: B	