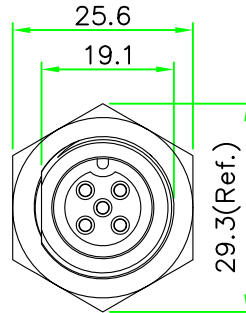
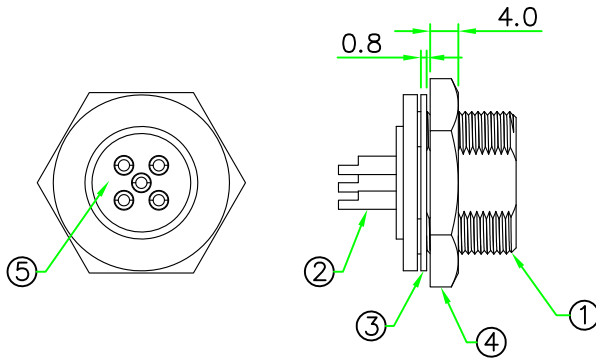
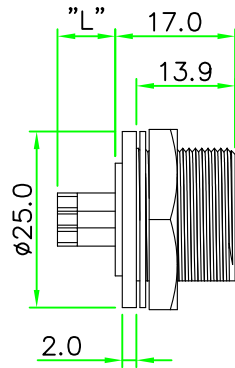


RECOMMENDED
PANEL CUT OUT

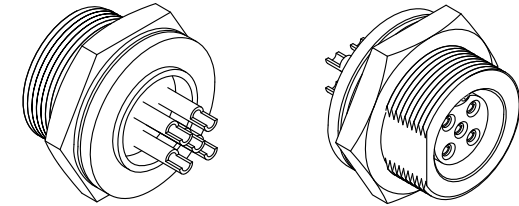
RoHS

IP66~68

P/N	L
CCG	8.4
CCP	8.6
CCD	5.8



REV.	DESCRIPTION	DATE
A	ISSUE	Nov/09/2015

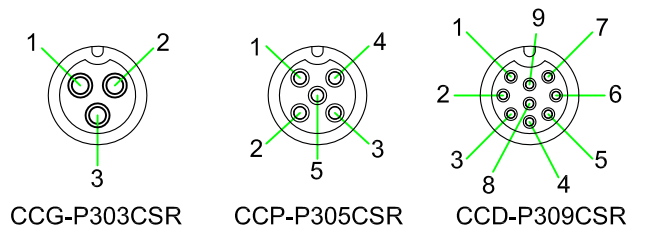


NOTES:

- ELECTRICAL CHARACTERISTICS:
CURRENT RATING: 5A / 10A / 20A
CONNECTOR TEMPERATURE RANGE: -25°C TO +85°C
DIELECTRIC WITHSTANDING VOLTAGE:
500V AC FOR ONE MINUTE
- PANEL THICKNESS MAX. 4.0 mm
- HOW TO ORDER: CCx-P3xxCSR

- 03 - 3 PIN
- 05 - 5 PIN
- 09 - 9 PIN

- G - CURRENT RATING 20A
- P - CURRENT RATING 10A
- D - CURRENT RATING 5A



CCG-P303CSR CCP-P305CSR CCD-P309CSR

PIN ASSIGNMENT FRONT VIEW (前視圖)

No.	PART NAME	DESCRIPTION	COLOR	Q'TY	REMARKS
5	GLUE	EPOXY.	BLACK		
4	HEX NUT	NYLON+GF.	BLACK	1	
3	GASKET	EPDM.	BLACK	1	
2	CONTACT	Brass, 6 u" Gold Plated. Female Contact.		N	
1	CONNECTOR	C Size Male Connector Insert. NYLON+GF.	BLACK	1	

		UNIT: mm	TITLE : Circular C Size Male Connector Female Pin Rear Mount Screw Type Round Flange Solder Bucket Pin	
SCALE		1:1	P/N: CCx-P3xxCSR	
UNLESS OTHERWISE SPECIFIED TOLERANCES: .x ± 0.5 ,xx ± 0.25 .xxx ± 0.1 ANGLE ± 1°		DR. Patty CH. ERIC		
REV. A	SHEET 1/1	DWG.NO: CCx-P3xxCSR AP.		