

| SIGN | DATE | DESCRIPTION | APPROVER |
|------|------------|---|----------|
| △ | 2010.10.11 | The design is changed | Jacke |
| △ | 2011.08.18 | Torque(Lb-in) is changed from 0.6 (Nm.) to 4.4(Lb-in) | Aaron |
| △ | 2011.08.18 | Add is cULus | Aaron |
| △ | 2011.08.18 | The dimension are added | Aaron |
| △ | 2012.02.07 | Add the positioning rib on rail slot base to prevent install wrongly. | Aaron |

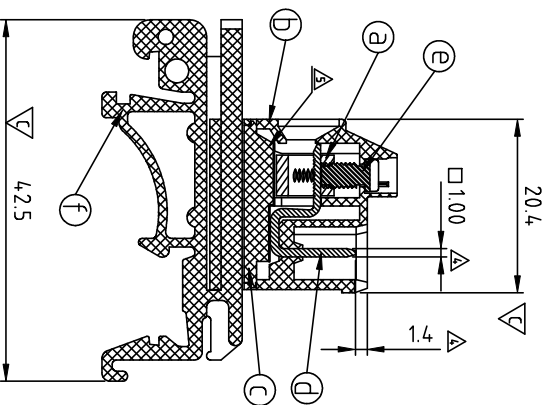
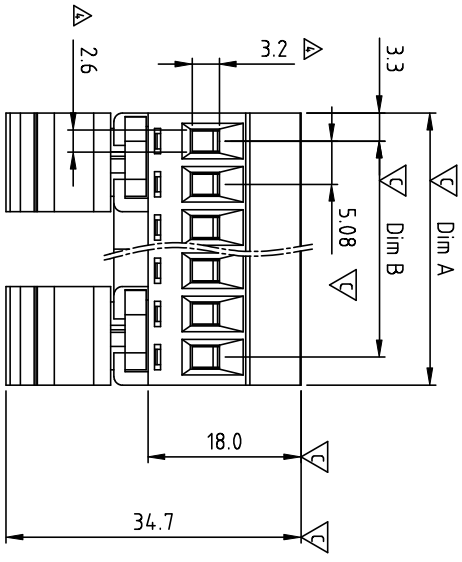
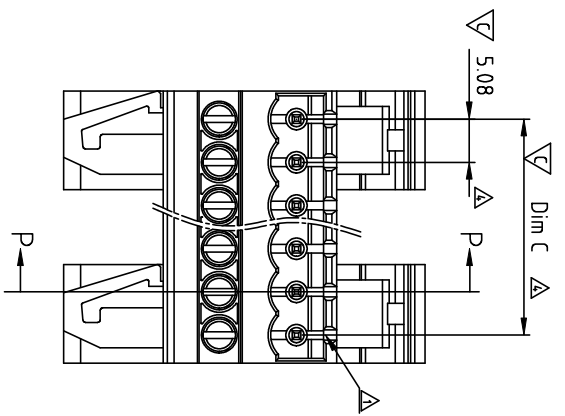
THIS IS CAD DRAWING, DO NOT REVISE MANUALL Y!!!

DIMENSION

| | |
|-------|-------------|
| Dim A | Nx5.08+1.52 |
| Dim B | (N-1)x5.08 |
| Dim C | (N-1)x5.08 |

N= NUMBER OF CONCATS

| Poles | Tolerance |
|---------|-----------|
| 2P-6P | ±0.20 |
| 7P-12P | ±0.25 |
| 13P-18P | ±0.30 |
| 19P-24P | ±0.40 |



Material:

- Item Ⓐ Clamp: Brass Ni plated
- Item Ⓑ Terminal(housing): Thermoplastic (UL94V-0)
- Item Ⓒ Terminal(cover): Thermoplastic (UL94V-0)
- Item Ⓓ Contact pin : Brass, Tin plated.
- Item Ⓔ Terminal screw: Steel Zinc plating sold "-"-type M3
- Item Ⓕ Terminal(track): Thermoplastic (UL94V-0)

Electrical: cULus

- Voltage rating:300V
- Current rating: 12A
- Wire range:
- Solid wire(AWG):12-30
- Stranded wire(AWG):12-30
- Torque(Lb-in): 4.4
- Screw:M3

- Wire strip length: 6-7 mm
- Withstranding Voltage: 16KV
- Operating temperature: -40°C to +115°C
- Safety Approval: **UL**
- Critical dimension: ∇

V5 XX 51 X 4 XXXX G

- No. OF POLES _____
- 02 2 CONTACTS
- 03 3 CONTACTS
-
- 24 24 CONTACTS
- Color
- 0 Black (RAL9005)
- 5 Green(RAL6018/T)
- 6 Blue (RAL5015/A)
- 8 Grey(RAL7035/D)
- C Green(RAL6018/U)
- G: Pb<4,0000ppm
- 0000: "@ Logo (Standard)
- 000A: "ANYTEK" Mark
- Any special item by customer request.
- please contact sales

ANYTEK

CUSTOMER COPY

ALL RIGHTS RESERVED. REPRODUCTION OR ISSUE TO THIRD PARTIES IN ANY FORM WHATSOEVER IS NOT PERMITTED WITHOUT WRITTEN AUTHORITY FROM THE PROPRIETOR. PROPERTY OF ANYTEK TECHNOLOGY CO., LTD

| | | | |
|--------------|----------------|--|-------------|
| TITLE | | V5 - 508 Series 2P-24P (W/o Flange) Dinnal holder B type | |
| PART NO. | V5xx51x4+xxxxG | DWG NO. | 8V50002 |
| CHECKED | DESIGNED | DRAWN | CUST. NO. |
| Aaron | Jacke | | |
| 2012.02.07 | 2009.12.29 | | |
| SHEET: 01/01 | | UNIT: | mm |
| | | SCALE: | NONE |
| | | REV: | E |
| | | Tolerance | X ±0.50 |
| | | | X X ±0.30 |
| | | | X X X ±0.10 |
| | | | X° ±1° |