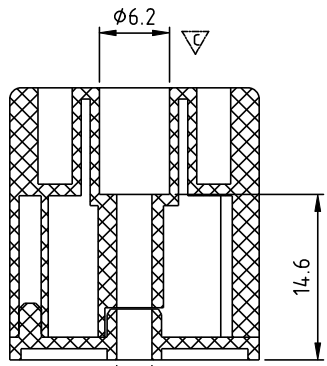
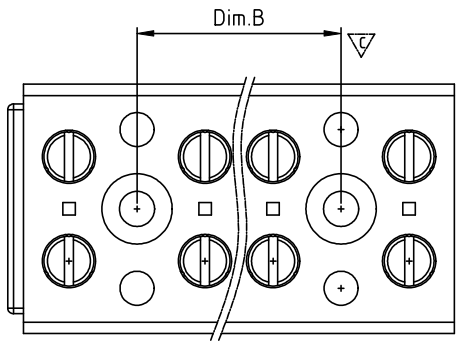
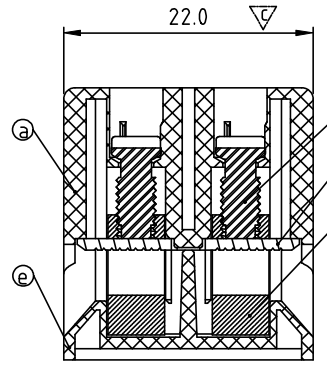
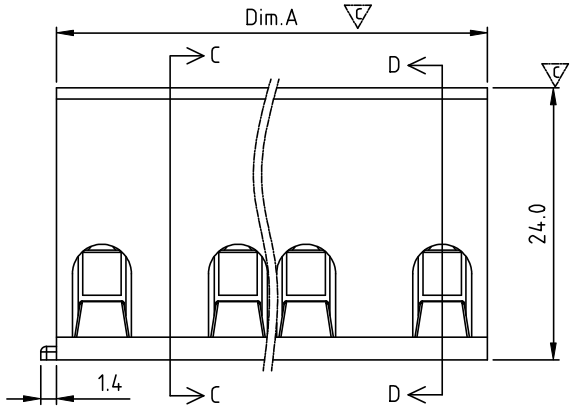


SIGN	DATE	DESCRIPTION	APPROVER
△	10/12'09	Add is cULus MARK	Aaron
△	06/20'14	Update the drawing	Guoxue

THIS IS CAD DRAWING, DO NOT REVISE MANUALLY!!!



SECTION C-C



SECTION D-D

- Material:**
- Item ① Terminal housing: Thermoplastic (UL94V-0)
 - Item ② Clamp : Brass, Ni plated
 - Item ③ Wire guard solder pin : Brass, Tin plated
 - Item ④ Terminal Screw: "-" slot Steel zinc plated.
 - Item ⑤ Terminal cover : Thermoplastic (UL94V-0)

- Electrical:** cULus
- Voltage rating: 300 V
 - Current rating: 30 A
 - Wire range:
 - Solid wire(AWG): 10-26
 - Stranded wire(AWG): 10-26
 - Torque: 9 Lb-In
 - Screw: M3.5
 - Wire strip length: 7-8 mm
 - Withstanding Voltage: 1.6KV
 - Operating temperature: -40°C to +115°C
 - Safety Approval: cULus
 - Critical dimension:

△ E 4 xx 0 1 x 0 xxxx G

No. OF POLES ————
02: 2 POLES
.....
06: 06 POLES

Color
0 Black (RAL9005)
2 Red (RAL3001/D)
3 Orange(RAL2011/P)
4 Yellow(RAL1018/A)
5 Green(RAL6018/T)
6 Blue (RAL5015/A)
8 Grey(RAL7035/D)
C Green(RAL6018/T)

RoHS compliant (lead<4%)
In copper Alloy

0000: "@" Logo (Standard)
000A: "ANYTEK" Mark

Any special item by customer request.
please contact sales department.

POLE	2	3	4	6
Dim.A	20.00	31.00	38.00	52.00
Dim.B	—	11.00	18.00	32.00
Tol.	±0.10	±0.15	±0.20	±0.30

ANYTEK				CUSTOMER COPY			
ALL RIGHTS RESERVED. REPRODUCTION OR ISSUE TO THIRD PARTIES IN ANY FORM WHATSOEVER IS NOT PERMITTED WITHOUT WRITTEN AUTHORITY FROM THE PROPRIETOR. PROPERTY OF ANYTEK TECHNOLOGY CO., LTD							
TITLE	E4 Series						
PART NO.	E4xx01x0xxxxG			DWG NO.	8E40001		
APPROVED	CHECKED	DESIGNED	DRAWN	CUST NO.	Tolerance		
		Guoxue 2014.06.20	Guoxue 2014.06.20		UNIT: mm	X	±0.50
					SCALE: NONE	X X	±0.30
						X XX	±0.10
						X°	±1°
				SHEET: 01/01	REV: D		