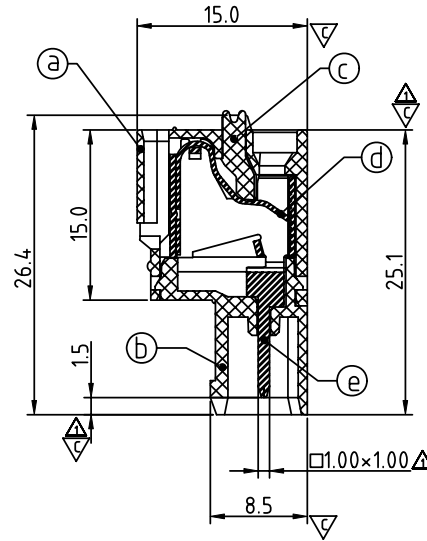
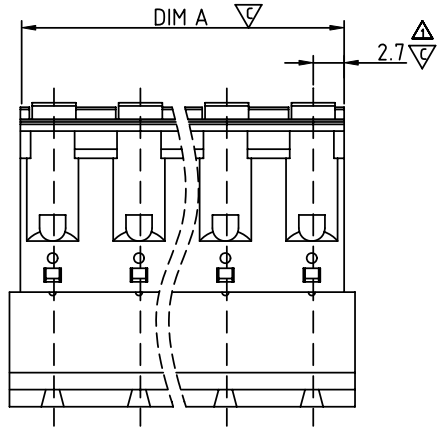


Dimension

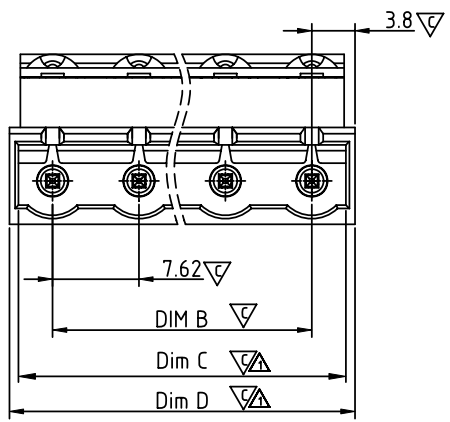
DIM A	$(N-1) \times 7.62 + 5.7$
DIM B	$(N-1) \times 7.62$
DIM C	$(N-1) \times 7.62 + 6.02$
DIM D	$N \times 7.62$

N=Number of poles

POLES	TOL
2p-6p	±0.20
7p-12p	±0.30
13p-16p	±0.40



SECTION P-P



SIGN	DATE	DESCRIPTION	APPROVER
△	06/22'13	Add the dimensional label	Jacky
△	06/22'13	Add the terminal lever colour	Jacky
△	06/22'13	Add the colour code	Jacky
△	06/22'13	Change the drawing number	Jacky

THIS IS CAD DRAWING, DO NOT REVISE MANUALLY!!!

Material

- Item a Terminal up body:Thermoplastic (UL94V-0)
- Item b Terminal down body:Thermoplastic (UL94V-0)
- Item c Terminal lever:Thermoplastic (UL94V-0)Orange△
- Item d Wire guard:Stainless Steel
- Item e Male contact pin: PhBz (CuSn) Tin plated

Electrical

- Voltage rating:300V
- Current rating:10A
- Solid wire(AWG):12-26
- Stranded wire(AWG):12-26
- Wire strip length:9-10mm
- Withstanding Voltage:1.6KV
- Operating temperature:-40°C to +115°C
- Safety Approval: us
- Critical dimension:

H5 xx 00 x 0 xxxx G

<p>02 2 CONTACTS</p> <p>03 3 CONTACTS</p> <p>... ..</p> <p>16 16 CONTACTS</p>	<p>0: BLACK</p> <p>5: GREEN (RAL 6018/T)</p> <p>6: BLUE</p> <p>8: GREY (RAL 7035/D)</p> <p>△C: GREEN (RAL 6018/U)</p>	<p>0000 Standard @ Logo</p> <p>000A Standard ANY Logo</p> <p>Any special item by customer request, please contact sales department.</p>	<p>RoHS compliant (lead<4%)</p> <p>In copper Alloy</p>
---	---	---	---

ANYTEK		CUSTOMER COPY	
ALL RIGHTS RESERVED. REPRODUCTION OR ISSUE TO THIRD PARTIES IN ANY FORM WHATSOEVER IS NOT PERMITTED WITHOUT WRITTEN AUTHORITY FROM THE PROPRIETOR. PROPERTY OF ANYTEK TECHNOLOGY CO., LTD			
TITLE		H5 7.62 Series (2P-16P) W/O Flange	
PART NO.	H5xx00x0xxxxG	DWG NO.	8H50601 △
APPROVED	CHECKED	DESIGNED	DRAWN
		Jacky 2013.06.22	Jacky 2013.06.22
		UNIT: mm SCALE: NONE SHEET: 01/01 REV.: B	
		Tolerance X. ±0.50 X.X ±0.30 X.XX ±0.10 X* ±1*	