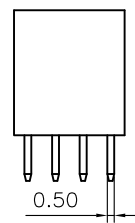
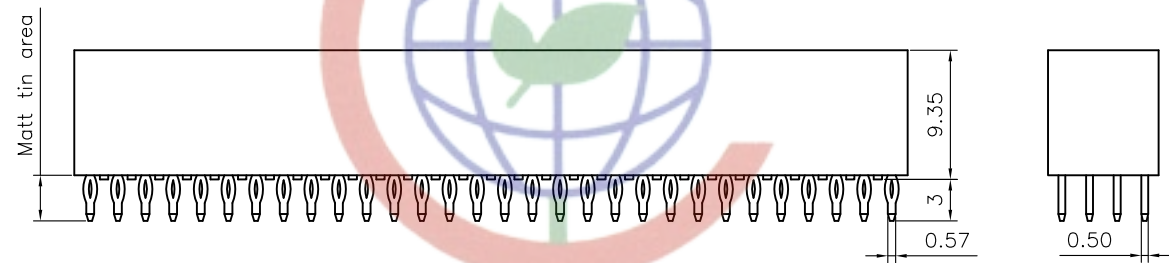


REV.	DESCRIPTION	DRAWN	CHECKED	APPROVED
A	NEW RELEASE	LJC 04/07/09'		

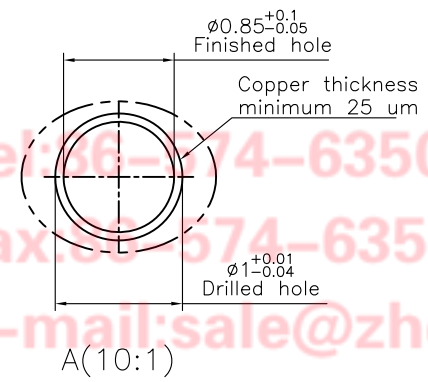
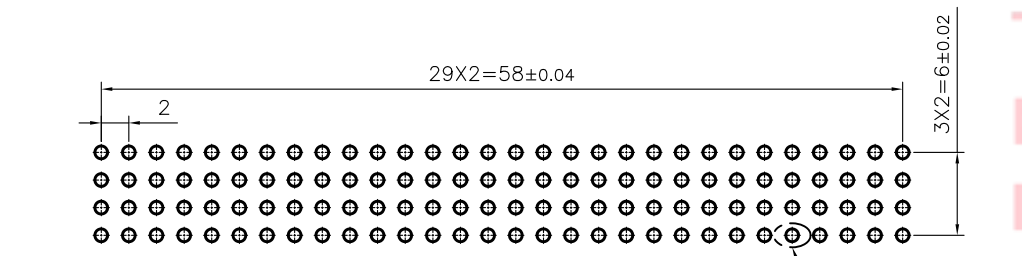
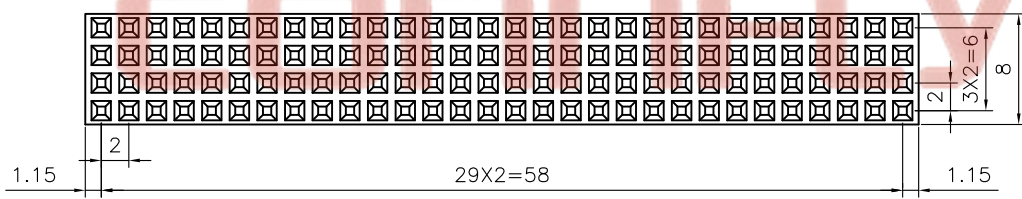


- NOTES:
- Material:  
Insulator: PBT With glass fiber. UL94 V-0.  
Contact: Copper alloy.
  - Electrical performance  
Current rating: 1.9A.  
Contact resistance: 20mΩ maximum.  
Insulation resistance: 1000MΩ minimum.  
Dielectric withstanding voltage: 500V AC(r.m.s) per 60s.
  - Environment performance:  
Temperature range: -55°C~+125°C.
  - Mechanical performance:  
Mating force: 150g per pin maximum.  
Withdrawal force: 30g per pin minimum.  
Press-In force: 8Kg per maximum.
  - Recommend PCB thickness: 1.4mm
  - Product number code:  
PC104-006 - XX X X

Contact plating:  
1: Selective 10u" gold(contact area)  
3: Selective 30u" gold(contact area)  
6: Full Matt Tin(General Mode)

Color:  
B: Black  
A: Gray

No. of positions:  
4\*2 ~ 4\*30



Recommend PCB layout

suggested hole size see detail A

GENERAL TOLERANCE		ANGLE TOLERANCE		PROJECTION		TITLE	PC/104 Plus Non Stack
X.	±0.60	X.	±5'	UNITS	mm		V/T Type
.X	±0.38	.X	±3'	SHEET SIZE	A4	SERIES	PC104-006 SERIES
.XX	±0.25	.XX	±2'	<b>晨翔电子有限公司</b> <b>CONNFLY CONNFLY ELECTRONIC CO. LTD</b>			
DRAWING TYPE		CUSTOMER					
SCALE		1:1	SHEET 1 OF 1				
DRAWING NO.		C-PC104-006-XXXX					