

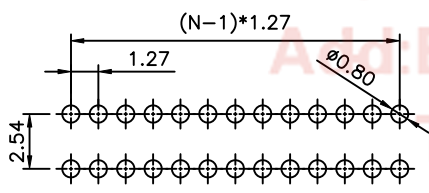
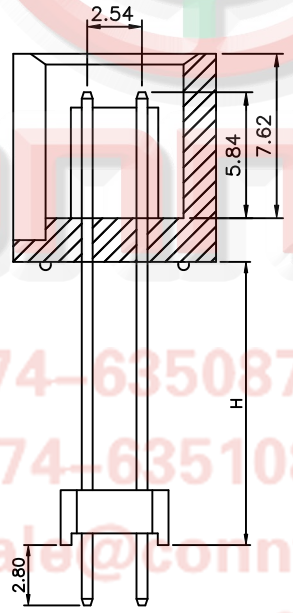
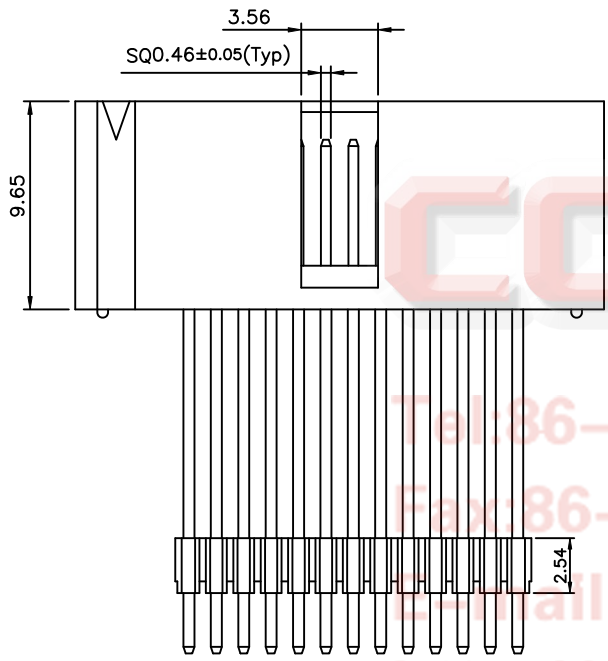
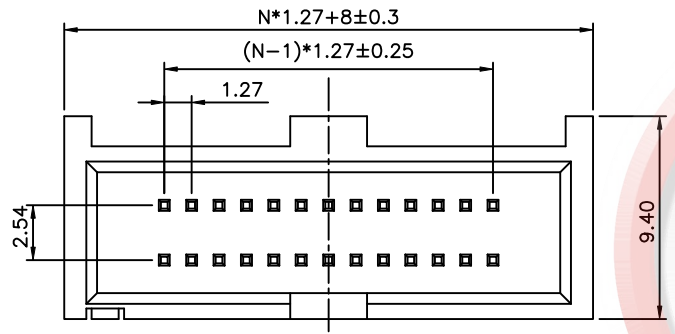
| REV. | DESCRIPTION | DRAWN         | CHECKED | APPROVED |
|------|-------------|---------------|---------|----------|
| A    | NEW RELEASE | JLZ 08/31/17' |         |          |

NOTES:

- MATERIAL
  - INSULATOR:THERMOPLASTIC(UL 94V-0).
  - CONTACT MATERIAL:COPPER ALLOY.
- SPECIFICATION
  - CURRENT RATING:1.0 Amp.
  - INSULATION RESISTANCE:1000MΩ Min.
  - DIELECTRIC WITHSTANDING:300VAC.
  - CONTACT RESISTANCE:20mΩ Max.
  - OPERATING TEMPERATURE:-40°C TO+105°C.
- PRODUCT NUMBER CODE:

DS1064-07 - X X X X X - 3A

- PLATING LEVEL  
3A: 3A GRADE
- PACKING TYPE  
B: TUBE  
T: TRAY
- DIM H TYPE  
H15.0
- HOUSING COLOR  
B:BLACK
- CONTACT PLATING  
8: FULL GOLD
- MOUNTING TYPE  
V: STRAIGHT TYPE
- No.OF CONTACTS  
06~40



RECOMMEND PCB LAYOUT  
TOLERANCE=±0.05mm


Tel:86-574-63508787  
Fax:86-574-63510817  
E-mail:sales@connfly.com  
http://www.connfly.com

East Industry Zone KuangYan  
Town Cixi Ningbo City

| GENERAL TOLERANCE |       | ANGLE TOLERANCE |     |
|-------------------|-------|-----------------|-----|
| X.                | ±0.60 | X.              | ±5° |
| .X                | ±0.38 | .X              | ±3° |
| .XX               | ±0.25 | .XX             | ±2° |

| DRAWING TYPE | CUSTOMER               |       |        |
|--------------|------------------------|-------|--------|
| SCALE        | 1:1                    | SHEET | 1 OF 1 |
| DRAWING NO.  | C-DS1064-07-XXXXXX-X-A |       |        |

| PROJECTION | TITLE | 1.27*2.54mm Box Header<br>Stack V/T Type H=9.65mm |                  |
|------------|-------|---|------------------|
| UNITS      | mm    | SERIES  | DS1064-07 SERIES |


**晨翔电子有限公司**  
**CONNFLY® CONNFLY ELECTRONIC CO., LTD**