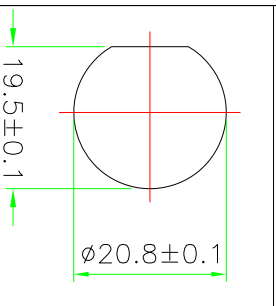
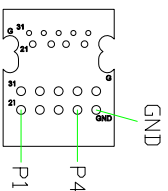
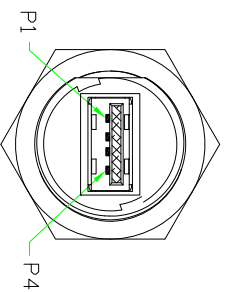


REV	DESCRIPTION	DATE
A	ISSUE	OCT/03/2012

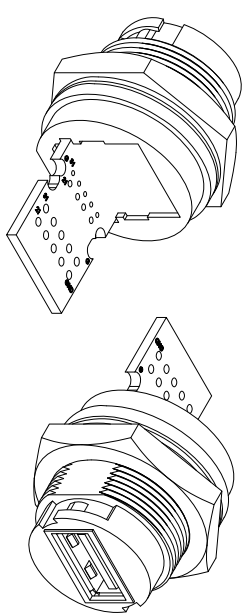
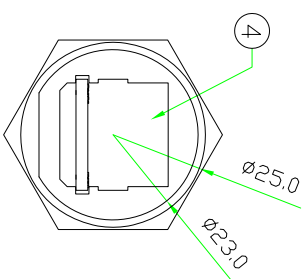
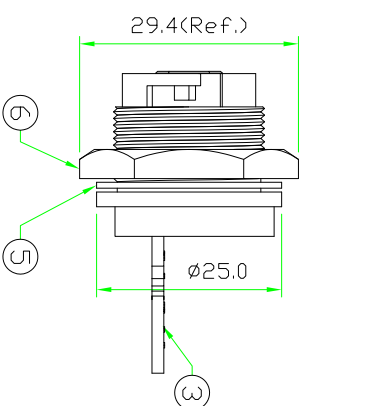
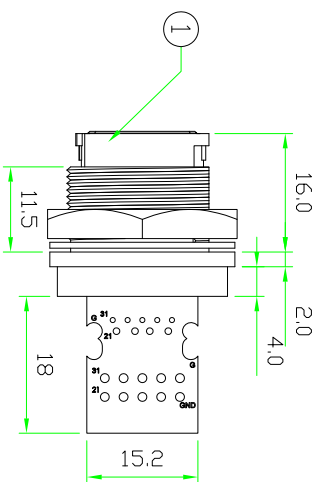
**IP67**  
**RoHS**



RECOMMENDED  
 PANEL CUT-OFF



PIN ASSIGNMENT FRONT VIEW (前视图)



- NOTES:
1. Current Rating: 1A
  2. Connector Temperature Range: -40°C to 105°C
  3. Contact Resistance:  $\leq 30\text{m}\Omega$
  4. Insulation Resistance:  $\geq 1,000\text{M}\Omega$
  5. Breakdown Voltage:  $\geq \text{AC } 500\text{V}/1 \text{ Minute}$

No.	PART NAME	DESCRIPTION	COLOR	QTY	REMARKS
6	HEX NUT	NYLON+GF.	BLACK	1	G-NUT (42-135)
5	GASKET	EPDM.	BLACK	1	CGA-G-EP70
4	GLUE	EPOXY.	BLACK	1	
3	PCB	FR4 . DOUBLE SIDE, 1.6mm THICKNESS.		1	USBAC-PCB
2	CONNECTOR	USB 2.0 A TYPE FEMALE CONNECTOR.		1	UA9T-0401-B100-R
1	BODY	USB A TYPE FEMALE CONNECTOR BODY. NYLON+GF.	BLACK	1	USBAC-L3C (89-135-N3-3)

**HOLIN®** HTP ASIA TECHNOLOGY CO., LTD.  
 禾凌科技股份有限公司

TITLE : USB 2.0 A TYPE FEMALE C SIZE  
 LOCK TYPE CIRCULAR FLANGE PANEL  
 WITH BARE PCB

SCALE : 1:1

UNIT : mm

UNLESS OTHERWISE SPECIFIED TOLERANCES:  
 XXX ± 0.25 XX ± 0.1  
 XXX ± 0.05 ANGLE ± 1/2X

REV. SHEET

DR. *jacx*  
 CH. *Michael*  
 AP.

DWG. NO.: USB2AC-L3C10