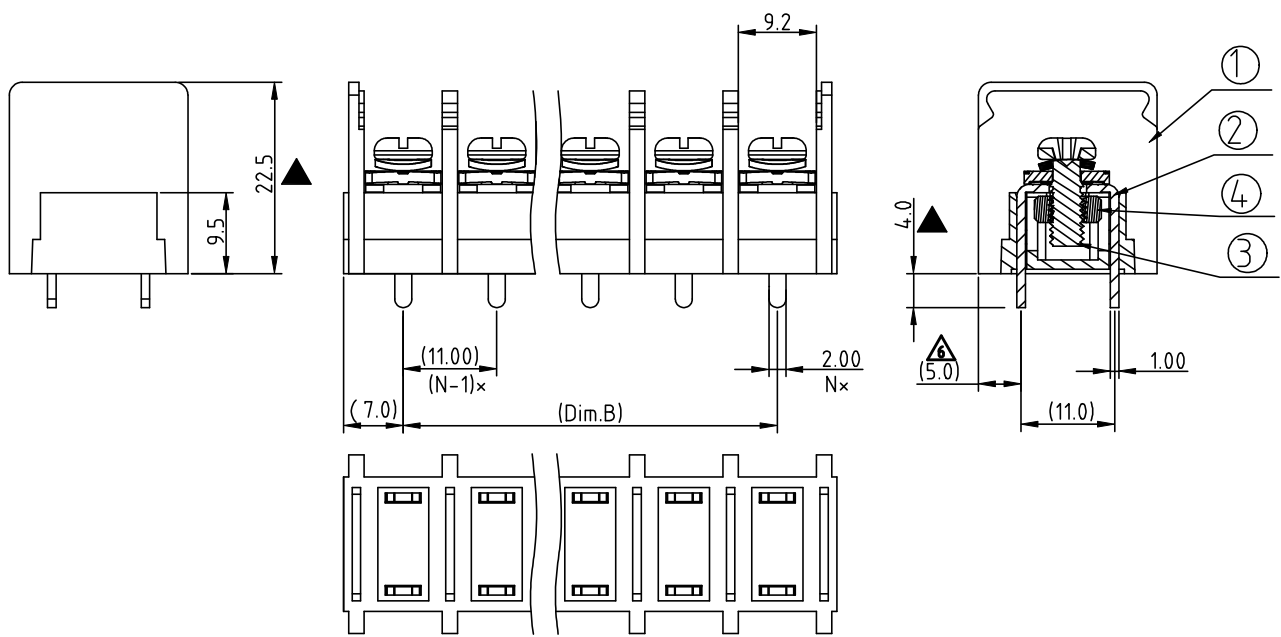
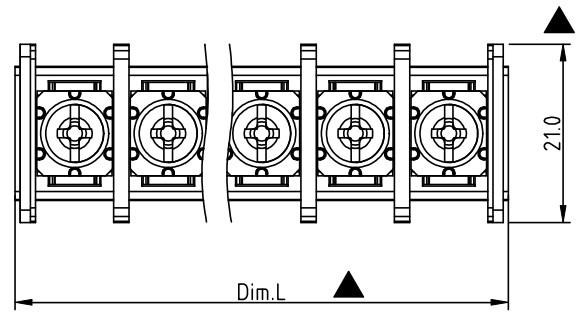


RoHS Compliant

Rev	SIGN	DATE	DESCRIPTION	APPROVER
B		11/13/09	Wire range changed is from 8 - 18 AWG to 10 - 18 AWG	Aaron
C		04/26/11	The wire range is changed from 18 - 10 AWG to 18 - 8 AWG	Tason
		04/26/11	Change here	Tason
		04/26/11	Add the Voltage&Current 600V 5A	Tason
		04/26/11	Voltage changed is from 2000V to 2500V	Tason
D		05/20/11	The dimension is changed from 5.00 to 5.0	Tason
		05/20/11	Add the Critical dimension	Tason
E		12/11/12	Change the screw plating specification	Jacky
		12/11/12	Change the dimensional tolerance	Jacky
F		08/22/18	Add number of 04 poles and modify the drawing frame	PansLee
		08/22/18	Add "Wave Soldering temperature".	PansLee
		08/22/18	Add "With Lug Termination".	Guoxue
G		01/03/20	Add the CQC.	Guoxue
		01/03/20	Add the RoHS compliant & Amphenol Logo.	Guoxue
		01/03/20	Delete the Dim.B & Add the Reference dimension.	Guoxue
	<i>THIS IS CAD DRAWING, DO NOT REVISE MANUALLY!!!</i>			



MATERIALS ELECTRICAL

	cULus(Use GroupB&C)	cULus(Use GroupD)	CQC
RATED VOLTAGE :	300 V	600V	750V
CURRENT RATING:	4.0A	5A	4.1A
WITHSTAND VOLTAGE:	2.5KV/Min	2.5KV/Min	3.0KV/Min
INSULATION RESISTANCE:	1000 MΩ OR MORE AT DC 1000 V		
OPERATING TEMPERATURE RANG:	-40 °C ~ +115°C		
SCREW TORQUE VALUE:	16Lb-In.	1.8N.m	
WIRE RANGE:	18 - 8 AWG	0.75-6mm ²	

(With Listed ring terminal or fork terminal)

1) BODY: THERMOPLASTICS, UL94-V0 BLACK

2) TERMINAL: BRASS, 1.0t

3) TERMINAL SCREWS WITH WASHER: STEEL, M4.0

4) TERMINAL NUT: STEEL Nickel Plated, M4.0

Wave soldering reliability: 260°C±5°C/5 Sec

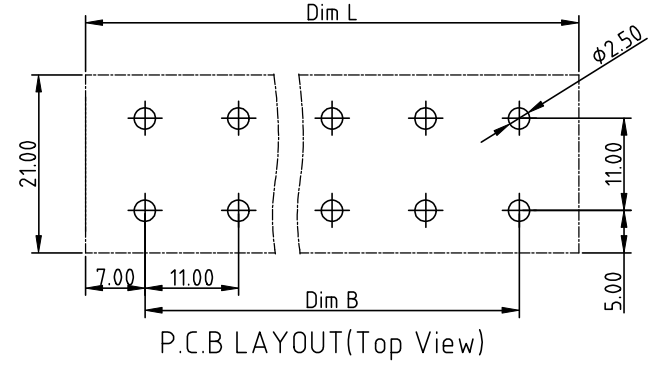
APPROVAL:

Critical dimension:

Reference dimension: (x) The dimensions of pitch are just for reference, take the actual assembly result as a judgment when inserting the terminal block into the PCB hole.

N= Number of poles
 Dim.B= (N-1)x11.0
 Dim.L= (N-1)x11.0+14.0

POLE	2-8P	9-16P
Dim.L	±0.40	±0.50



YK 70A xx 0 x x 00G

G RoHS compliant (lead+4%) In copper Alloy

MARK
 0: "@" MARK
 1: "ANY" MARK

TERMINAL & SCREW PLATED
 0: TERMINAL & SCREW: G/F
 1: TERMINAL: G/F, SCREW: Zinc
 2: TERMINAL: Sn, SCREW: G/F
 3: TERMINAL: Sn, SCREW: Zinc

NO. OF POLES
 02 2 POLES
 03 3 POLES
 04 4 POLES

16: 16POLES

Amphenol ANYTEK		CUSTOMER COPY	
ALL RIGHTS RESERVED. REPRODUCTION OR ISSUE TO THIRD PARTIES IN ANY FORM WHATSOEVER IS NOT PERMITTED WITHOUT WRITTEN AUTHORITY FROM THE PROPRIETOR. PROPERTY OF ANYTEK TECHNOLOGY CO., LTD			
TITLE: YK70A W/o flange and W/o cover SERIES		DWG NO.: 8YK0001-70A	
PART NO.: YK70Axx0xx00G		CUST NO.:	
APPROVED:	CHECKED:	DESIGNED:	DRAWN:
		Guoxue 2020.01.03	Guoxue 2020.01.03
		UNIT: mm	X. ±0.50
SHEET: 01/01		SCALE: NONE	X.X ±0.30
REV.: G			X.XX ±0.10
Tolerance			X° ±1°