



RAYSTAR

曜凌光電股份有限公司 Raystar Optronics, Inc.

Web: www.raystar-optronics.com E-mail: sales@raystar-optronics.com

RFK1010F-AYH-LNS

SPECIFICATION

General Specifications

- Screen Diagonal: 10.1 inch
- Number of Pixels: 1280 x 3(RGB) x 800 dots
- Module dimension: 230.56 x 155.01 x 9.0 mm
- Active area: 216.96 (H) x 135.6(V) mm
- Pixel pitch: 0.1695 x 0.1695 mm
- Display Mode: Normally Black
- Pixel Arrangement: R.G.B. Vertical Stripe
- Backlight Type: LED, Normally White
- Aspect Ratio: 16:9
- Electrical Interface (Logic): LVDS
- With /Without TP: With RTP
- Surface: Glare

*Color tone slight changed by temperature and driving voltage.

Interface

Interface Connector

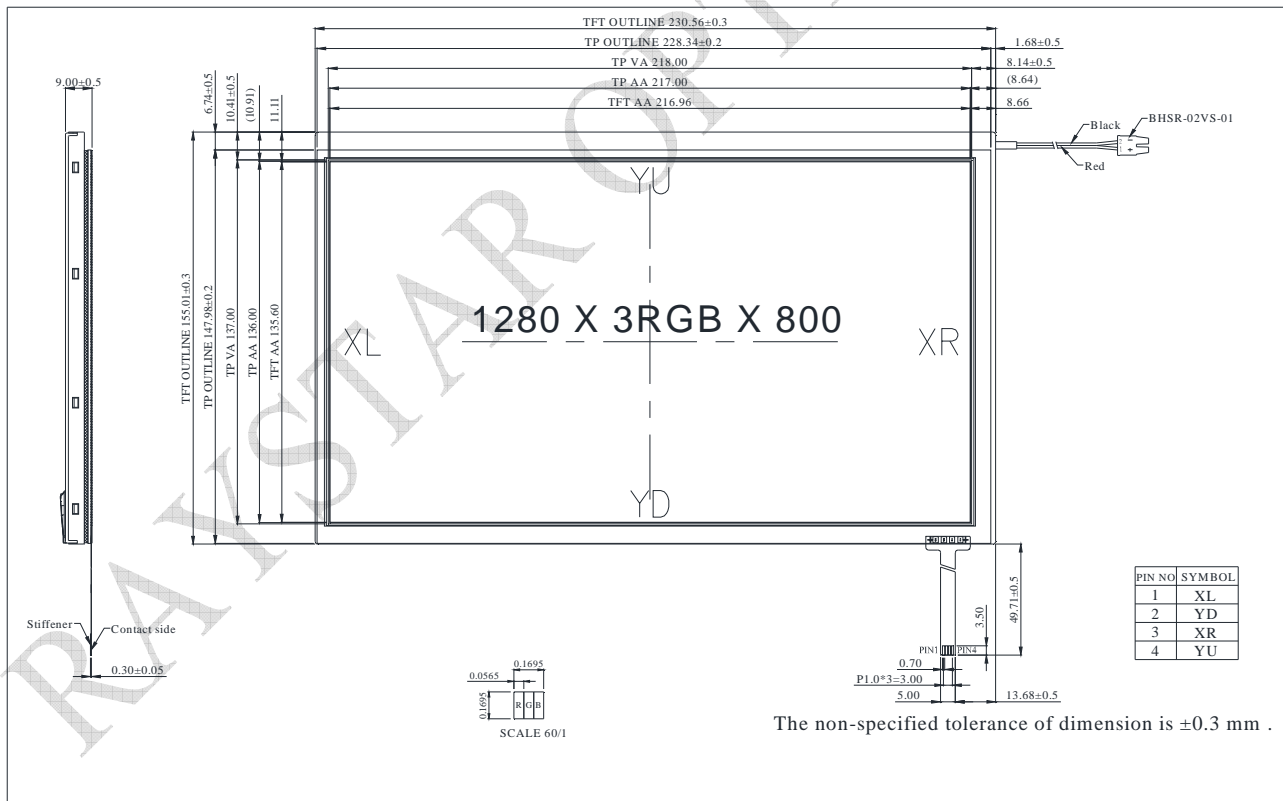
A 40pin connector is used for the module electronics interface. The recommended model is F62240-H1210B manufactured by Vigorconn.

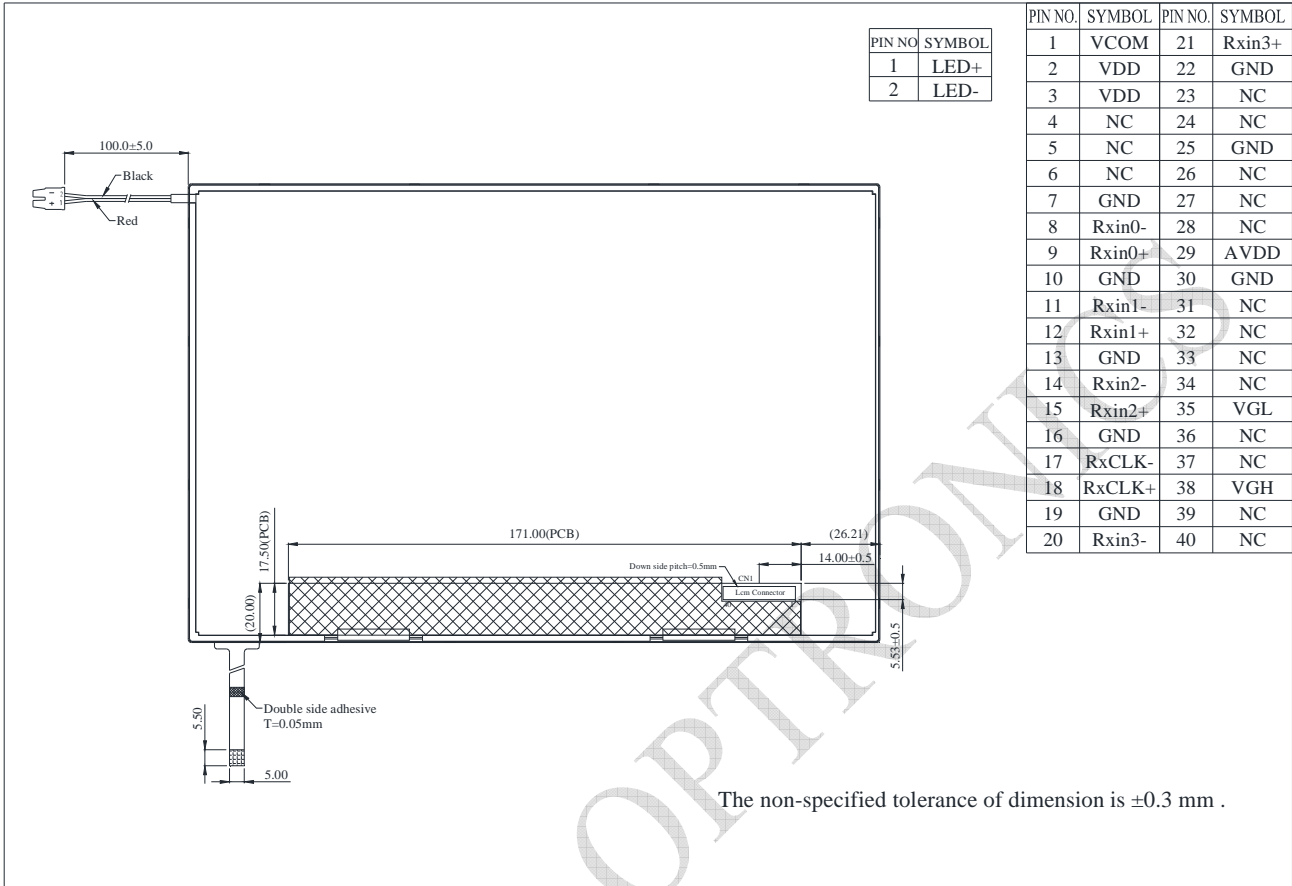
Pin No.	Symbol	I/O	Function
1	VCOM	P	Common Voltage
2	VDD	P	Power Supply
3	VDD	P	Power Supply
4	NC	-	No connection
5	NC	-	No connection
6	NC	-	No connection
7	GND	P	Ground
8	Rxin0-	I	-LVDS Differential Data Input
9	Rxin0+	I	+LVDS Differential Data Input
10	GND	P	Ground
11	Rxin1-	I	-LVDS Differential Data Input
12	Rxin1+	I	+LVDS Differential Data Input
13	GND	P	Ground
14	Rxin2-	I	-LVDS Differential Data Input
15	Rxin2+	I	+LVDS Differential Data Input
16	GND	P	Ground
17	RxCLK-	I	-LVDS Differential Clock Input
18	RxCLK+	I	+LVDS Differential Clock Input
19	GND	P	Ground
20	Rxin3-	I	-LVDS Differential Data Input
21	Rxin3+	I	+LVDS Differential Data Input
22	GND	P	Ground
23	NC	-	No connection
24	NC	-	No connection
25	GND	P	Ground
26	NC	-	No connection
27	NC	-	No connection
28	NC	-	No connection
29	AVDD	P	Power for Analog Circuit

30	GND	P	Ground
31	NC	-	No connection
32	NC	-	No connection
33	NC	-	No connection
34	NC	-	No connection
35	VGL	P	Gate OFF Voltage
36	NC	-	No connection
37	NC	-	No connection
38	VGH	P	Gate ON Voltage
39	NC	-	No connection
40	NC	-	No connection

I: input, O: output, P: Power

Contour Drawing





Absolute Maximum Ratings

Item	Symbol	Min	Typ	Max	Unit
Operating Temperature	TOP	-20	—	+70	°C
Storage Temperature	TST	-20	—	+70	°C

Electrical Characteristics

Typical Operation Conditions

Item	Symbol	Values			Unit
		Min.	Typ.	MAX.	
Power voltage	VDD	2.3	2.5	2.7	V
	AVDD	8.0	8.2	8.4	V
	VGH	21.7	22	22.3	V
	VGL	-7.3	-7	-6.7	V
Input signal voltage	VCOM	2.7	3.0	3.3	V

Current Consumption

Item	Symbol	Values			Unit
		Min.	Typ.	MAX.	
Current for Driver	IGH	300	705	1000	uA
	IGL	300	705	1000	uA
	IVDD	50	95	120	mA
	IAVDD	8	45	70	mA