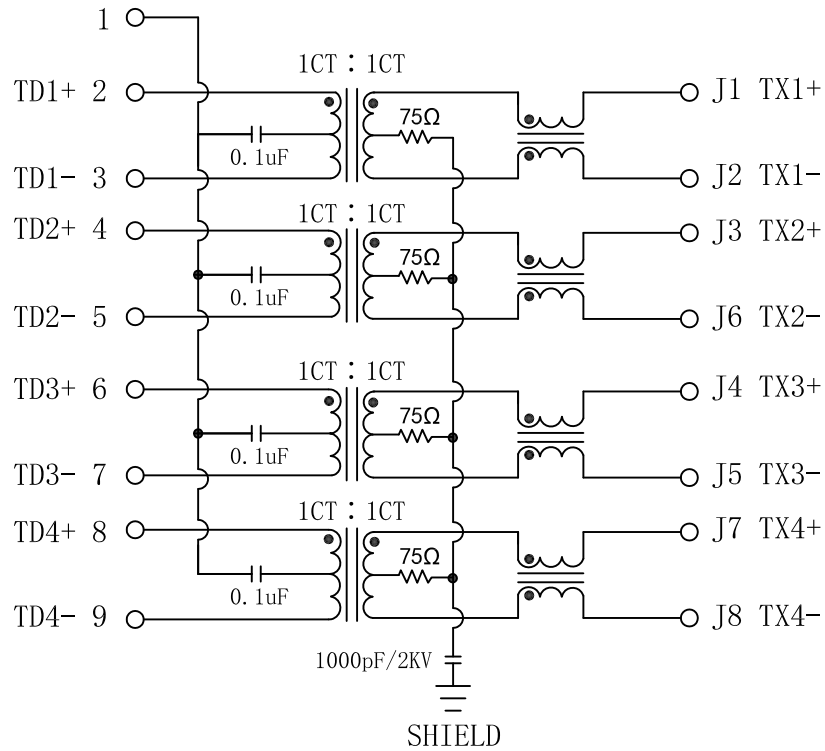


# Schematic:

REV.	ECN NO.	DESCRIPTION	DATE	APPD
A	REL		2019-03-09	

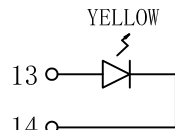
PC BOARD CONNECTIONS



RJ45 CONNECTOR

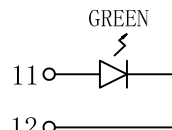
## Electrical Specifications @25°C

- Turns Ratio:  
Pri : Sec = 1CT : 1CT ±5%
- OCL (@100KHz 0.1V 8mA): 350uH Min
- Insertion Loss (dB Max):  
1-100MHz: -1.0      100-125MHz: -1.2
- Return Loss (dB Min):  
1-40MHz: -16      40-60MHz: -12  
60-80MHz: -10      80-100MHz: -8
- Crosstalk:  
1-100MHz: -30 dB Min
- Common to Common Mode Attenuation:  
1-100MHz: -30dB Min
- Isolation: 1500Vrms
- Operating Temperature: -40°C ~ +85°C.



LEFT LED

LED POLARITY		COLOR
PIN 13	PIN 14	
+	-	YELLOW



RIGHT LED

LED POLARITY		COLOR
PIN 11	PIN 12	
+	-	GREEN

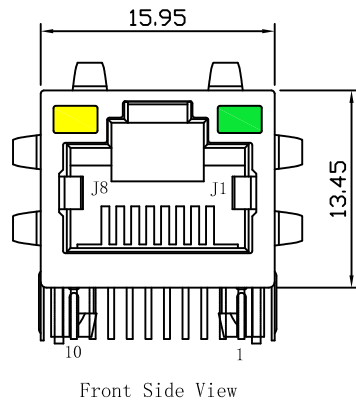
Emitting Color	λ p(nm)	VF@IF=20mA	IR @VR=5V
GREEN	565	1.8~2.6V	10 μ A max
YELLOW	585	1.8~2.6V	10 μ A max



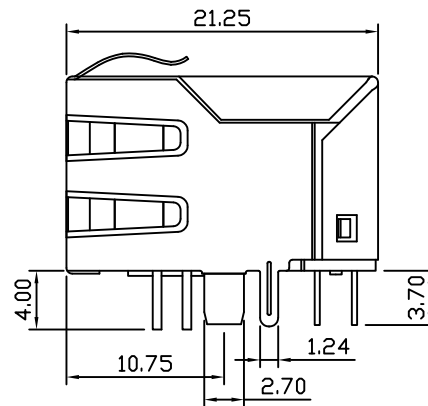
X:X ±0.30	APPD:	LINK-PP INT'L TECHNOLOGY CO., LIMITED
X:XX ±0.25	CHKD:	
X:XXX ±0.05	DR: SEA	TITLE: RJ45 Connector with 1000 Base-T Integrated Magnetics
ANGLES ±1°	UNIT: mm	PART NO.: LPJG16459ADNL
	SCALE: 2/1	SHEET: 1/2
	REV: A	DWG NO.: LP19030908

# Mechanical:

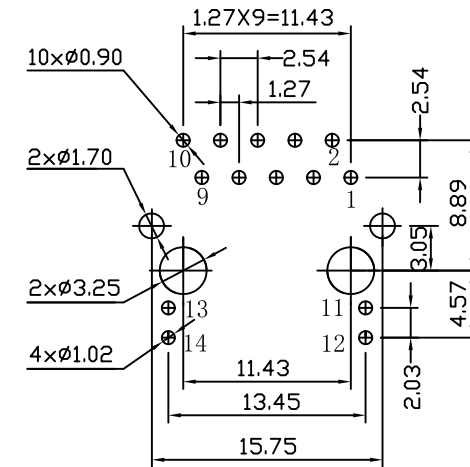
REV.	ECN NO.	DESCRIPTION	DATE	APPD
A	REL		2019-03-09	



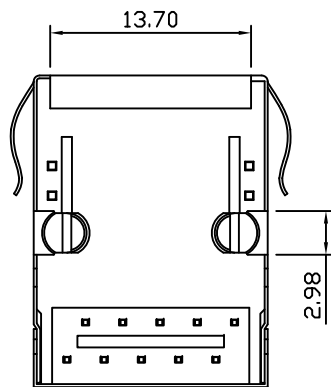
Front Side View



Left Side View



Suggested PCB Layout (Top View)



Bottom Side View



Top Side View

## NOTES:

1. Designed to support application, such as SOHO (ADSL modems), LAN-on-Motherboard (LOM), hub and Switches.
2. Meets IEEE 802.3 specification
3. Connector Materials:  
 Housing Material: Thermoplastic PBT+30%G.F UL94V-0  
 Contact Material: Phosphor Bronze C5210R-EH Thickness=0.35mm  
 Pins: Brass C2680R-H Thickness=0.35mm  
 Shield: SUS 201-1/2H Thickness=0.2mm  
 Contact plating: Gold 6 micro-inches min. In contact area.
4. Wave solder tip temperature: 265°C Max, 5 Sec.
5. UL Certification: File Number E484635.

X:X ±0.30	APPD:	LINK-PP INT'L TECHNOLOGY CO., LIMITED
X:XX ±0.25	CHKD:	
X:XXX ±0.05	DR: SEA	TITLE: RJ45 Connector with 1000 Base-T Integrated Magnetics
ANGLES ±1°	UNIT: mm	PART NO.: LPJG16459ADNL
	SCALE: 2/1	SHEET: 2/2
	REV: A	DWG NO.: LP19030908