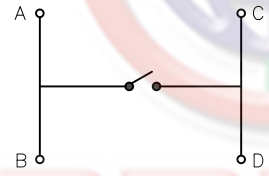
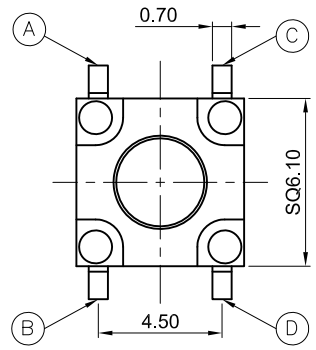


The information provided herein is from CONNELY Electronic Co., Ltd. and is confidential. Any disclosure to a party other than the recipient is prohibited. The intellectual properties and its rights contained herein, including but not limited to, trademarks, patents, copyrights, trade secrets, and technical know-how, are owned exclusively by CONNELY or its affiliates. Unauthorized use of this information in any format or manner. CONNELY may enforce its intellectual property rights at its own discretion; failures or delays to exercise such rights does not constitute a waiver of such rights.

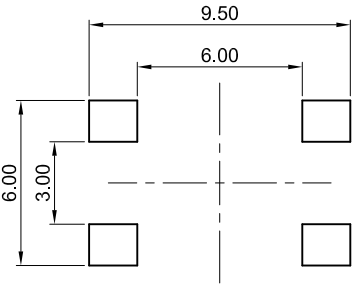
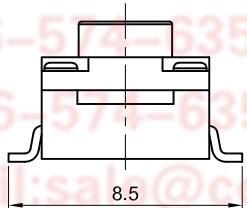
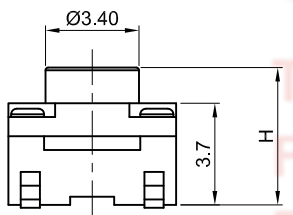
NOTES:

1. SPECIFICATIONS

- . Contact Rating: 50mA at 12Vdc
- . Insulation Resistance: 100MΩ min.
- . Contact Resistance: 50mΩ max.
- . Dielectric Withstanding Voltage: 250V AC(rms) for 1 minute.
- . Operating Life: 100,000 cycles
- . Travel: 0.25±0.1mm
- . Operation Temperature Range: -25°C to +70°C



CIRCUIT DIAGRAM



RECOMMEND P.C.B LAYOUT
Tolerance±0.05

REV.	DESCRIPTION	DRAWN	CHECKED	APPROVED
A	NEW RELEASE	JLZ 01/29/18'	HZW 01/29/18'	LJC 01/29/18'
B	DRAWING UPDATE	JLZ 01/17/19'		

- . Wave Soldering: Recommended Solder Temperature At 500°f(260°C)max. 5 Seconds
- . Hand Soldering: Use Soldering Iron Of 30 Watts,Controlled At 608°f(320°C)Approximately 2 Seconds.

2. PRODUCT NUMBER CODE:

DS1042-11 - X X X X X X X

- Operating Life
10: 100,000 cycles
20: 200,000 cycles
- Sheath Support
X: W/O Sheath
- Operating force
260: 260gf
- Packing type
A: polybag
R: Tape On Reel
- Actuator color
K: Black
- Housing color
K: Black
- Profile Height(Dim H)
043:4.3mm 045:4.5mm
050:5.0mm 055:5.5mm
- No. of contacts
4: 4 pos

GENERAL TOLERANCE		ANGLE TOLERANCE		PROJECTION		TITLE	Tact Switch SMT Type 6mmX6mm					
X.	±0.60	X.	±5°	UNITS	mm		Water Proof Type					
.X	±0.38	.X	±3°	SHEET SIZE	A4	SERIES	DS1042-11 SERIES					
.XX	±0.25	.XX	±2°									
DRAWING TYPE		CUSTOMER				晨翔电子有限公司 CONNFLY CONNFLY ELECTRONIC CO. LTD						
SCALE		1:1							SHEET		1 OF 1	
DRAWING NO.		C-DS1042-11-XXXXXXX-B										