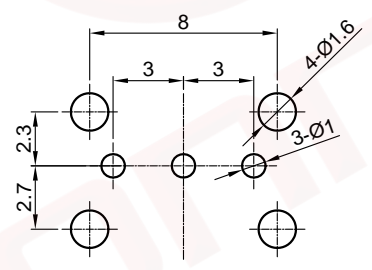
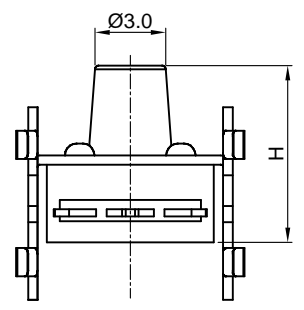
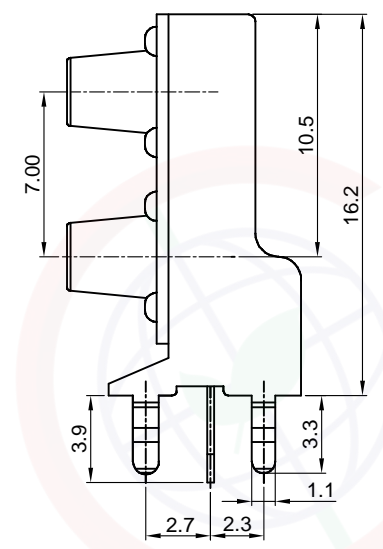
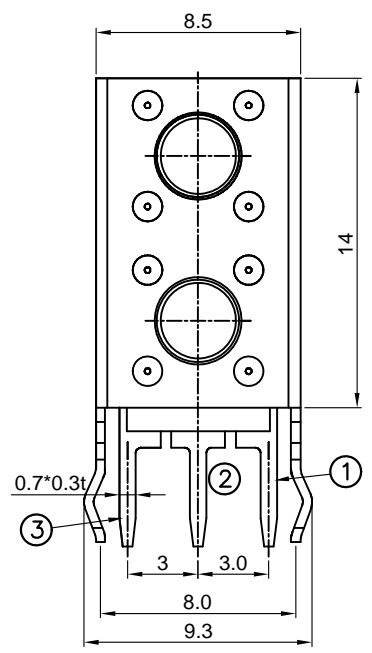
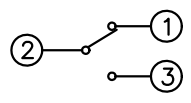


Dept	
Qty	
DC	1
ED	1
IE	1
ISO	1
PD	1
R&D	1
SD	1
QA	1
QC	1
QE	1

The information provided herein is from CONNELY Electronic Co., Ltd. and is confidential. Any disclosure to a party other than the recipient is prohibited. The intellectual properties and its rights contained herein, including but not limited to, trademarks, patents, copyrights, trade secrets, and technical know-how, are owned exclusively by CONNELY or its affiliates. Unauthorized use or modification is strictly prohibited. CONNELY may enforce its intellectual property rights at its own discretion, failure or delays to exercise such rights does not constitute a waiver of such rights.



PCB layout
Tolerance±0.05



Circuit diagram



(Series Image-Reference Only)

REV.	DESCRIPTION	DRAWN	CHECKED	APPROVED
A	NEW RELEASE	JLZ 05/14/22'		

NOTES:

1. Specifications

- . Switch Function: Single Pole Single Throw
- . Contact Rating: 50mA at 12Vdc
- . Insulation Resistance:100MΩ min.
- . Contact Resistance:100mΩ max.
- . Operating Life:100,000 cycles
- . Travel:0.25±0.1mm
- . Operation Temperature Range: -25°C to +70°C
- . Wave Soldering: Recommended Solder Temperature At 500°F(260°C)max. 5 Seconds,Subject To PCB 1.6mm Thickness.

2. Product number code:

DS1041-39 - X X X X X X X

- Operating Life
10:100,000 cycles
- Operating force
160: 160±50gf
260: 260±50gf
- Packing type
A: polybag
- Actuator color
B: Black
- Housing color
B: Black
- Profile Height(DIM. H)
040:4.0mm 060:6.0mm 080:8.0mm
090:9.0mm 100:10.0mm 120:12.0mm
140:14.0mm 168:16.8mm 190:19.0mm
- No. of contacts
3: 3P

GENERAL TOLERANCE		ANGLE TOLERANCE		PROJECTION		TITLE	6.0*6.0mm Double Tact Switch
X.	±0.60	X.	±5°	UNITS	mm		R/A Type W/ Holder
.X	±0.38	.X	±3°	SHEET SIZE	A4	SERIES	DS1041-39 SERIES
.XX	±0.25	.XX	±2°	晨翔电子有限公司 CONNELY ELECTRONIC CO., LTD			
DRAWING TYPE		CUSTOMER					
SCALE	1:1	SHEET	1 OF 1				
DRAWING NO.		C-DS1041-39-XXXXXX-A					