

REV.	DESCRIPTION	DRAWN	CHECKED	APPROVED
A	NEW RELEASE	HP 07/12/05		

TECHNICAL DATA

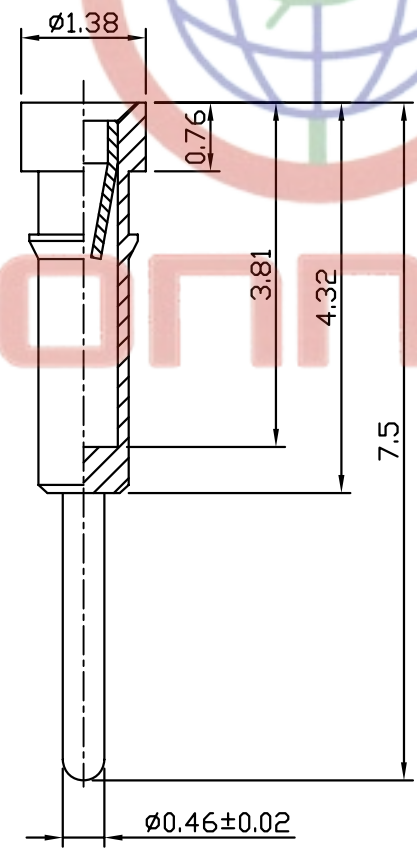
- MATERIAL
 - Pin(Outer Sleeve): Brass,Machined,CuZn38Pb2
 - Clip(Contact 4/6 Finger): Copper alloy,Heat Treated
- ELECTRICAL
 - Current Rating: 1A Per Pin max.
 - Contact Resistance: $\leq 20m\Omega$ /Contact.

- MECHANICAL
 - *Average Insertion Force With Steel Pin of $\phi 0.31mm/0.012"$:
6-Finger $\leq 120g$
 - *Average Withdrawal Force With Steel Pin of $\phi 0.31mm/0.012"$:
6-Finger $\geq 15g$
 - *Mechanical Life: min 200 Cycles

4. PRODUCT NUMBER CODE:

DS1005-10 - X X X

- CLIP PLATED
 - 6: Full Tin
 - 8: Full Gold flash
 - C: Full Gold 3u"
 - A: Full Gold 10u"
 - B: Full Gold 15u"
- PIN PLATED
 - 6: Full Tin
 - 8: Full Gold flash
 - C: Full Gold 3u"
 - A: Full Gold 10u"
 - B: Full Gold 15u"



Tel:86-574-63508787
 Fax:86-574-6351217
 E-mail:sale@zh-cn-jin.com.cn
 Http://www.connfly.com

GENERAL TOLERANCE		ANGLE TOLERANCE		PROJECTION		TITLE	SOCKET TERMINALS 7.5mm	
X.	± 0.20	X.	$\pm 2^\circ$	UNITS	mm			
.X	± 0.15	.X	$\pm 1^\circ$	SHEET SIZE	A4	SERIES	DS1005-10	
.XX	± 0.10	.XX	$\pm 0.5^\circ$					
DRAWING TYPE		CUSTOMER			晨翔电子有限公司 CONNFLY CONNFLY ELECTRONIC CO. LTD			
SCALE		1:1	SHEET	1 OF 1				
DRAWING NO.		C-DS1005-10-XXX						