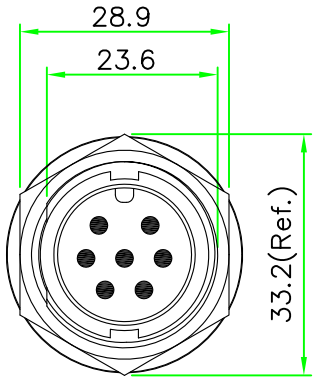
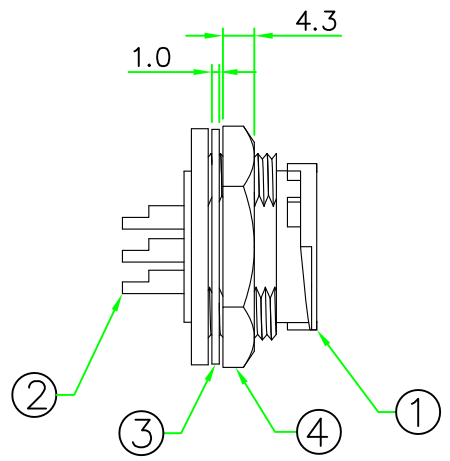
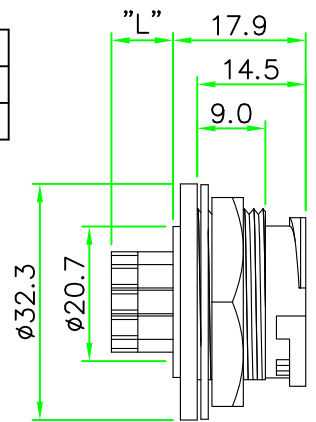


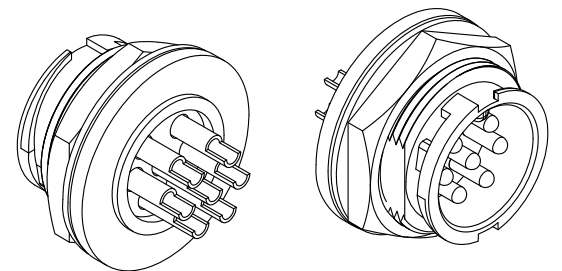
RECOMMENDED
PANEL CUT OUT

RoHS
IP66~68

| P/N | L |
|-----|-----|
| CDD | 1.6 |
| CDG | 8.6 |



| REV. | DESCRIPTION | DATE |
|------|-------------|-------------|
| A | ISSUE | Oct/22/2014 |
| | | |

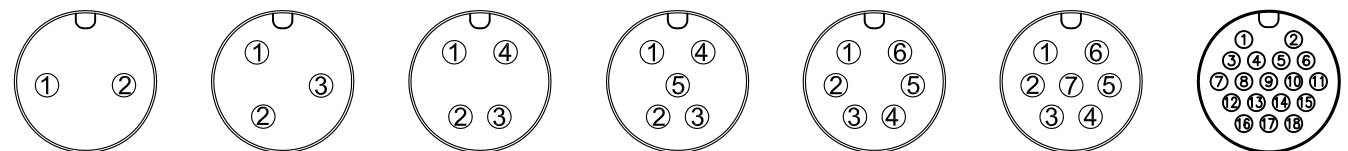


NOTES:

- ELECTRICAL CHARACTERISTICS:
CURRENT RATING: 5A / 20A
CONNECTOR TEMPERATURE RANGE: -25°C TO +85°C
DIELECTRIC WITHSTANDING VOLTAGE:
500V AC FOR ONE MINUTE
- PANEL THICKNESS MAX. 3.0mm
- HOW TO ORDER: CDx-L1xxCSR

- 02 - 2 PIN 18 - 18 PIN
- 03 - 3 PIN
- 04 - 4 PIN
- 05 - 5 PIN
- 06 - 6 PIN
- 07 - 7 PIN

G - CURRENT RATING 20A
D - CURRENT RATING 5A



CDG-L102CSR CDG-L103CSR CDG-L104CSR CDG-L105CSR CDG-L106CSR CDG-L107CSR CDD-L118CSR

PIN ASSIGNMENT FRONT VIEW
(前視圖)

| 4 | HEX NUT | Nylon + GF. | BLACK | 1 | |
|-----|-----------|--|-------|------|---------|
| 3 | GASKET | EPDM. | BLACK | 1 | |
| 2 | CONTACT | Brass , 6 u" Gold Plated . Male Contact. | | N | |
| 1 | CONNECTOR | D Size Male Connector Insert.Nylon+GF. | BLACK | 1 | |
| No. | PART NAME | DESCRIPTION | COLOR | Q'TY | REMARKS |

HOLIN® HTP ASIA TECHNOLOGY CO., LTD.
禾凌科技股份有限公司

| | | | |
|---|-----------|---|-----------|
| | UNIT: mm | TITLE : Circular D Size Male Connector Male Pin Rear Mount Lock Type Round Flange Solder Bucket Pin | |
| SCALE | 1:1 | P/N: CDx-L1xxCSR | DR. Patty |
| UNLESS OTHERWISE SPECIFIED TOLERANCES: .x ± 0.25 .xx ± 0.1 .xxx ± 0.05 ANGLE ± 1° | | | CH. ERIC |
| REV. A | SHEET 1/1 | DWG.NO: CDx-L1xxCSR | AP. |